


OUTDOOR LIGHTING

version 9.21



The background is a complex, abstract composition of organic, swirling patterns. It features a rich palette of teal, emerald green, and deep forest green, with occasional streaks and swirls of pale yellow and light blue. The overall texture is reminiscent of marbled paper or a microscopic view of a liquid mixture, with numerous small, bright white and blue bubbles scattered throughout. The lighting is dramatic, with darker areas in the lower-left corner and brighter, more saturated colors towards the upper-right.

TO CREATE
IMPRESSIVE
RESULTS



IMG Lighting an active worldwide and constantly innovating and evolving manufacturer with years of experience providing end-to-end lighting solutions. We operate business in a reliable and responsible way combining latest technologies, skills and friendly cooperation.

Our fundamentals are:

- developing perfect ergonomic design with attention to every single detail;
- following energy efficiency standards;
- being dedicated to idea of producing simple and easy to install indoor and outdoor lighting;
- using sustainable environmentally friendly materials;

Discover an extensive range of lighting equipment units in our user-friendly web site catalog. Get some interesting insights about projects and estimate the challenges we face.

CONTENTS

LINEAR LED LIGHTING



Band Mitter

9



Band Premier

11



Band Tenzer

13



Band GT

15



Band Forter

17



Band Optimus

21



Band Blader

23



Band Blader Opal

25



Band Agiva

33



Band Agiva Basic

35



Band Agiva Tube

39

FLOODLIGHTS



Garnet Glow

43



Garnet Lark

55



Elfo

59



Garnet Glowbox

67



Libra Tracker

75



Garnet Starling

81



Pistol

83



Kreus

87



Garnet Glow Gr

89



Chaser

97



Arizona

103



Texus Pro

105

CONTENTS

WALL LIGHTS



Romus Skiff 109



Romus Slim 111



Pix 113



Criss 117



Linker Quadro/Round 119



Wind 121



Wind S 123



Wind Snipe 125



Wind Nova 127



Laurel 129



Spirit 131



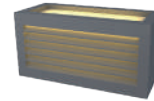
Heater X 133



Heater O 135



Disma S 137



Disma L 139



Megry-W Straight 141



Megry-W Angle 143



Bowler Round-W/G 145



Brumi-W 147



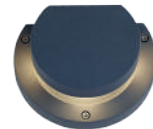
Tarum 149



Melan-W 151



Torch 153



Tonel Mini 155



Tonel Midi 157



Eclipse-W 159



Eclipse Mote 161



Spiner 163



Tableron 165



Liner 171



Pim 173



Rundel Quadro-W 175



Rundel Round-WM 177

CONTENTS

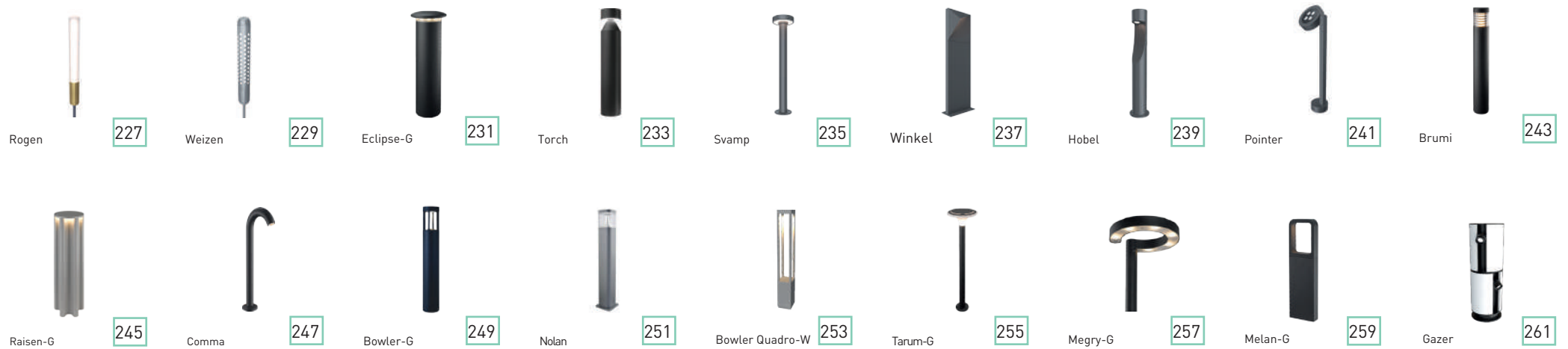
CEILING - LIGHTS



RECESSED GROUND LIGHTS



BOLLARDS



CONTENTS

POLE LIGHTS



Outled Guls 265



Finler 267



Wetar 269



Hunt/Hunt Mirror 271



Logic 273



Berg 275



Apollo S/M 277



Apollo L 279



Talip 281



Guest 283



Trump 285



Alcor 287



Stown 289



Bolard 291



Jongla 293

PENDANT LIGHTS



Lauled Basic 297



Lauled Square 299



Apoled line 301

GOBO LIGHTS



Neo 200 Gobo 305



Neo 1500 Gobo 307



Neo Gobo 309



Floris Gobo 311



LINEAR LED LIGHTING



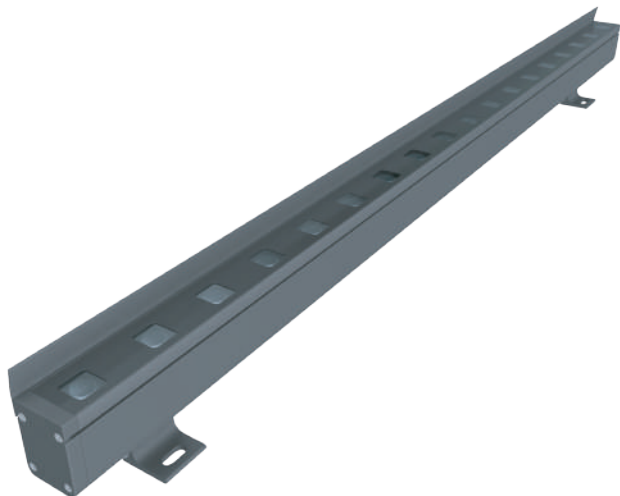
BAND MITTER



view

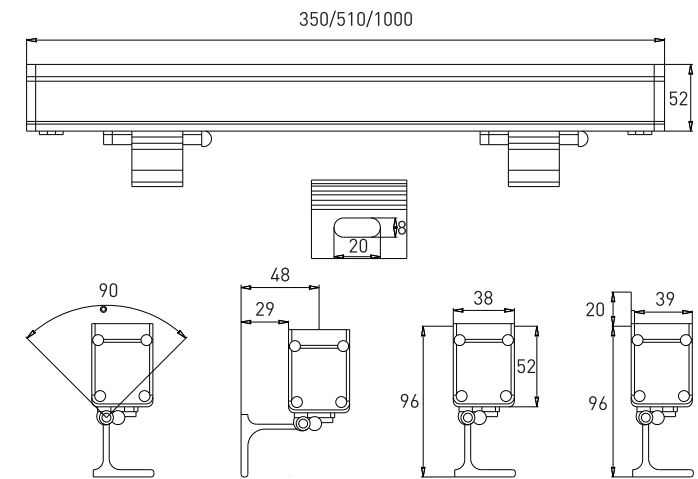


RAL



size

1 overall dimensions



1

BAND MITTER

Linear luminaire for architectural lighting.

Housing:	Pressure die-cast aluminum alloy with polyester powder paint
Housing color:	Grey, RAL
Beam angle:	10°, 15°, 30°, 45°, 60°, 18x55°, 20x45°, 10x60°
IES protection classes:	Class I (SELV)
Color temperature, K:	2700K, 3000K, 4000K, 5000K, 6000K, R, G, B, RGB 3in1, RGBW 4in1
Input voltage, V:	24V, 220V
Control system:	On/Off, 0-10, DMX-512, TRIAC, DALI
Ingress Protection Rating, IP:	IP66
Operating temperature:	-40°C ~ +50°C
Weight:	1,5 - 3,0kg

Article	Name	Power, W	Dimensions, mm	Input voltage, V	Beam angle, degrees	Color temperature, K	Weight, kg
823037151	BAND MITTER 350mm 6W 24V/220V IP66 SINGLE COLOR	6W	350x38x52	24V,220V	10°, 15°, 30°, 45°, 60°, 18x55°, 20x45°, 10x60°	2700K, 3000K, 4000K, 5000K, 6000K, R, G, B	1,50
823037152	BAND MITTER 350mm 8W 24V/220V IP66 SINGLE COLOR	8W	350x38x52	24V,220V	10°, 15°, 30°, 45°, 60°, 18x55°, 20x45°, 10x60°	2700K, 3000K, 4000K, 5000K, 6000K, R, G, B	1,50
823037153	BAND MITTER 350mm 12W 24V/220V IP66 SINGLE COLOR	12W	350x38x52	24V,220V	10°, 15°, 30°, 45°, 60°, 18x55°, 20x45°, 10x60°	2700K, 3000K, 4000K, 5000K, 6000K, R, G, B	1,50
823037158	BAND MITTER 510mm 9W 24V/220V IP66 SINGLE COLOR	9W	510x38x52	24V,220V	10°, 15°, 30°, 45°, 60°, 18x55°, 20x45°, 10x60°	2700K, 3000K, 4000K, 5000K, 6000K, R, G, B	2,30
823037159	BAND MITTER 510mm 12W 24V/220V IP66 SINGLE COLOR	12W	510x38x52	24V,220V	10°, 15°, 30°, 45°, 60°, 18x55°, 20x45°, 10x60°	2700K, 3000K, 4000K, 5000K, 6000K, R, G, B	2,30
823037160	BAND MITTER 510mm 18W 24V/220V IP66 SINGLE COLOR	18W	510x38x52	24V,220V	10°, 15°, 30°, 45°, 60°, 18x55°, 20x45°, 10x60°	2700K, 3000K, 4000K, 5000K, 6000K, R, G, B	2,30
823037161	BAND MITTER 510mm 18W RGB 3in1 DMX IP66	18W	510x38x52	24V	10°, 15°, 30°, 45°, 60°, 18x55°, 20x45°, 10x60°	RGB	2,30
823037162	BAND MITTER 510mm 18W RGBW 4in1 DMX IP66	18W	510x38x52	24V	10°, 15°, 30°, 45°, 60°, 18x55°, 20x45°, 10x60°	RGBW	2,30
823037163	BAND MITTER 510mm 24W RGB 3in1 DMX IP66	24W	510x38x52	24V	10°, 15°, 30°, 45°, 60°, 18x55°, 20x45°, 10x60°	RGB	2,30
823037164	BAND MITTER 510mm 24W RGBW 4in1 DMX IP66	24W	510x38x52	24V	10°, 15°, 30°, 45°, 60°, 18x55°, 20x45°, 10x60°	RGBW	2,30
823037165	BAND MITTER 1000mm 18W 24V/220V IP66 SINGLE COLOR	18W	1000x38x52	24V,220V	10°, 15°, 30°, 45°, 60°, 18x55°, 20x45°, 10x60°	2700K, 3000K, 4000K, 5000K, 6000K, R, G, B	3,00
823037166	BAND MITTER 1000mm 24W 24V/220V IP66 SINGLE COLOR	24W	1000x38x52	24V,220V	10°, 15°, 30°, 45°, 60°, 18x55°, 20x45°, 10x60°	2700K, 3000K, 4000K, 5000K, 6000K, R, G, B	3,00
823037167	BAND MITTER 1000mm 36W 24V/220V IP66 SINGLE COLOR	36W	1000x38x52	24V,220V	10°, 15°, 30°, 45°, 60°, 18x55°, 20x45°, 10x60°	2700K, 3000K, 4000K, 5000K, 6000K, R, G, B	3,00
823037168	BAND MITTER 1000mm 36W RGB 3in1 DMX IP66	36W	1000x38x52	24V	10°, 15°, 30°, 45°, 60°, 18x55°, 20x45°, 10x60°	RGB	3,00
823037169	BAND MITTER 1000mm 36W RGBW 4in1 DMX IP66	36W	1000x38x52	24V	10°, 15°, 30°, 45°, 60°, 18x55°, 20x45°, 10x60°	RGBW	3,00
823037170	BAND MITTER 1000mm 48W RGB 3in1 DMX IP66	48W	1000x38x52	24V	10°, 15°, 30°, 45°, 60°, 18x55°, 20x45°, 10x60°	RGB	3,00
823037171	BAND MITTER 1000mm 48W RGBW 4in1 DMX IP66	48W	1000x38x52	24V	10°, 15°, 30°, 45°, 60°, 18x55°, 20x45°, 10x60°	RGBW	3,00

BAND PREMIER



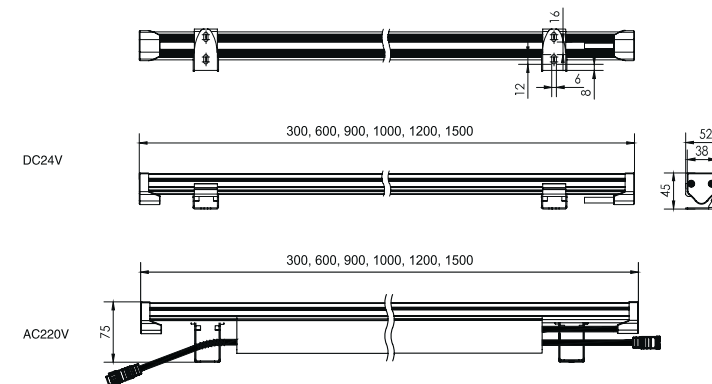
view



RAL

size

1 overall dimensions



1



BAND PREMIER

Linear luminaire for architectural lighting.

Housing:	Pressure die-cast aluminum alloy with polyester powder paint
Beam angle:	
symmetrical:	12°, 30°, 55°
asymmetrical:	25x45°
Housing color:	Grey, RAL
IES protection classes:	Class I (SELV)
Color temperature, K:	3000K-5700K
Input voltage, V:	24V, 220V
Ingress Protection Rating, IP:	IP66
Color rendering index, CRI:	>70
Operating temperature:	-40°C ~ +50°C
Guaranteed lifetime, hours:	>75 000h

Article	Name	Power, W	Dimensions, mm	Input voltage, V	Beam angle, degrees	Color temperature, K	Weight, kg
823008030	BAND Premier 300mm 8W 24V IP66	8W	300x38x45 (75)	24V	12°, 30°, 55°, 25°x45°	3000K-5700K	0.70kg
823000030	BAND Premier 300mm 8W 220V IP66	8W	300x38x45 (75)	220V	12°, 30°, 55°, 25°x45°	3000K-5700K	0.70kg
823015060	BAND Premier 600mm 15W 24V IP66	15W	600x38x45 (75)	24V	12°, 30°, 55°, 25°x45°	3000K-5700K	1.50kg
823000060	BAND Premier 600mm 15W 220V IP66	15W	600x38x45 (75)	220V	12°, 30°, 55°, 25°x45°	3000K-5700K	1.50kg
823022090	BAND Premier 900mm 22W 24V IP66	22W	900x38x45 (75)	24V	12°, 30°, 55°, 25°x45°	3000K-5700K	2.20kg
823000090	BAND Premier 900mm 22W 220V IP66	22W	900x38x45 (75)	220V	12°, 30°, 55°, 25°x45°	3000K-5700K	2.20kg
823024100	BAND Premier 1000mm 24W 24V IP66	24W	1000x38x45 (75)	24V	12°, 30°, 55°, 25°x45°	3000K-5700K	2.40kg
823000100	BAND Premier 1000mm 24W 220V IP66	24W	1000x38x45 (75)	220V	12°, 30°, 55°, 25°x45°	3000K-5700K	2.40kg
823030120	BAND Premier 1200mm 30W 24V IP66	30W	1200x38x45 (75)	24V	12°, 30°, 55°, 25°x45°	3000K-5700K	3.20kg
823000120	BAND Premier 1200mm 30W 220V IP66	30W	1200x38x45 (75)	220V	12°, 30°, 55°, 25°x45°	3000K-5700K	3.20kg
823036150	BAND Premier 1500mm 36W 24V IP66	36W	1500x38x45 (75)	24V	12°, 30°, 55°, 25°x45°	3000K-5700K	3.20kg
823000150	BAND Premier 1500mm 36W 220V IP66	36W	1500x38x45 (75)	220V	12°, 30°, 55°, 25°x45°	3000K-5700K	3.20kg

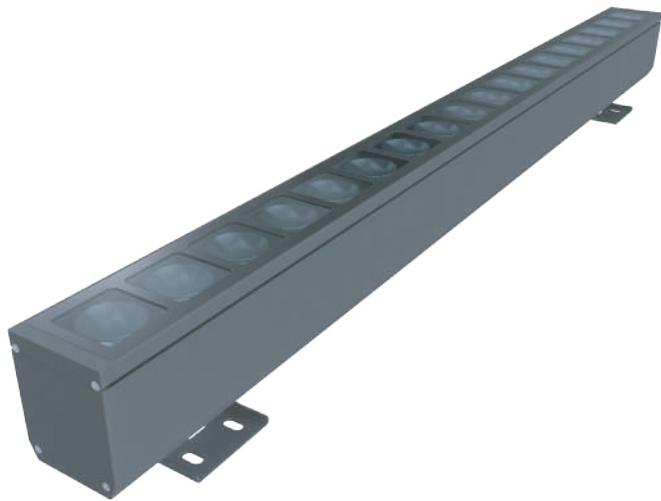
BAND TENZER



view

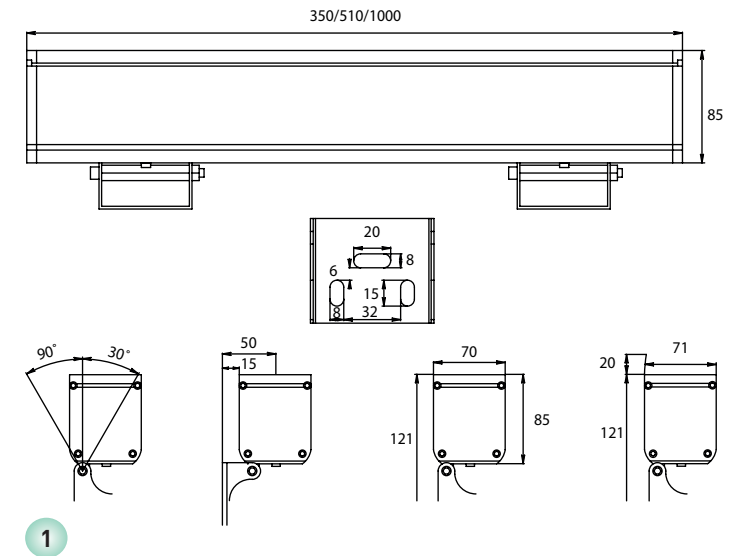


RAL



size

1 overall dimensions



BAND TENZER

Powerful linear luminaire for accent architectural lighting.

Housing:	Pressure die-cast aluminum alloy with polyester powder paint
Housing color:	Grey, RAL
Beam angle:	3,5x40°
IES protection classes:	Class I (SELV)
Color temperature, K:	2700K, 3000K, 4000K, 5000K, 6000K, R, G, B, RGB 3in1, RGBW 4in1
Input voltage, V:	24V
Control system:	On/Off, 0-10V, DMX-512, TRIAC, DALI
Ingress Protection Rating, IP:	IP66
Operating temperature:	-40°C ~ +50°C
Weight:	4kg

Article	Name	Power, W	Dimensions, mm	Input voltage, V	Beam angle, degrees	Color temperature, K	Weight, kg
769190021	BAND TENZER1000mm 72W 24V IP66 SINGLE COLOR	72W	1000x70x121	24V	3,5x40°	2700K, 3000K, 4000K, 5000K, 6000K, R, G, B	4,00
769190022	BAND TENZER 1000mm 54W RGB 3in1 24V DMX IP66	54W	1000x70x121	24V	3,5x40°	RGB	4,00
769190023	BAND TENZER 1000mm 72W RGBW 4in1 24V DMX IP66	72W	1000x70x121	24V	3,5x40°	RGBW	4,00

view

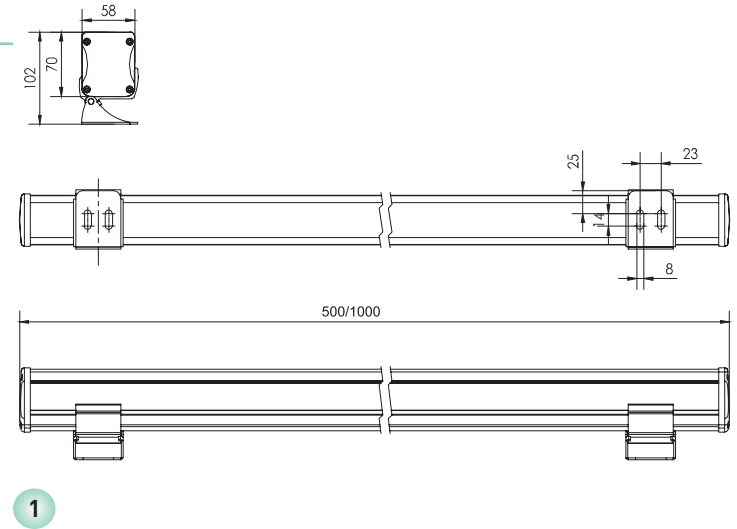


RAL



size

1 overall dimensions



BAND GT

A new series of LINEAR LIGHTS Band GT with improved characteristics and 5 years warranty.

Housing:	Sealed die-cast silicone housing
Housing color:	Metallic, RAL
Beam angle:	symmetric: 5°, 12.5°, 20°, 30°, 60°, asymmetric: 15x30°, 10x60°
IES protection classes:	Class I (SELV)
Color temperature, K:	2700K - 6000K, RGB, RGBW
Input voltage, V:	24V, 36V, 220V
Control system:	DMX-512, Switch On/Off
Ingress Protection Rating, IP:	IP66
Operating temperature:	-25°C ~ +50°C
Guaranteed lifetime, hours:	> 50000h

Article	Name	Power, W	Dimensions, mm	Input voltage, V	Beam angle, degrees	Color temperature, K	Weight, kg
824010200	BAND GT 12W 500mm RGBW IP66	9x1,2W	500x58x70	24V	5°, 12.5°, 20°, 30°, 60°, 15x30°, 10x60°	RGBW	2,00
824010190	BAND GT 12W 500mm RGB IP66	9x1,2W	500x58x70	24V	5°, 12.5°, 20°, 30°, 60°, 15x30°, 10x60°	RGB	2,00
824010180	BAND GT 12W 500mm 220V IP66	9x1,2W	500x58x70	220V	5°, 12.5°, 20°, 30°, 60°, 15x30°, 10x60°	2700K - 6000K	2,00
824010170	BAND GT 12W 500mm 24V IP66	9x1,2W	500x58x70	24V	5°, 12.5°, 20°, 30°, 60°, 15x30°, 10x60°	2700K - 6000K	2,00
824010160	BAND GT 18W 500mm RGBW IP66	15x1,2W	500x58x70	24V	5°, 12.5°, 20°, 30°, 60°, 15x30°, 10x60°	RGBW	2,00
824010150	BAND GT 18W 500mm RGB IP66	15x1,2W	500x58x70	24V	5°, 12.5°, 20°, 30°, 60°, 15x30°, 10x60°	RGB	2,00
824010140	BAND GT 18W 500mm 220V IP66	15x1,2W	500x58x70	220V	5°, 12.5°, 20°, 30°, 60°, 15x30°, 10x60°	2700K - 6000K	2,00
824010130	BAND GT 18W 500mm 24V IP66	15x1,2W	500x58x70	24V	5°, 12.5°, 20°, 30°, 60°, 15x30°, 10x60°	2700K - 6000K	2,00
824010120	BAND GT 22W 1000mm RGBW IP66	18x1,2W	1000x58x70	24V	5°, 12.5°, 20°, 30°, 60°, 15x30°, 10x60°	RGBW	3,80
824010110	BAND GT 22W 1000mm RGB IP66	18x1,2W	1000x58x70	24V	5°, 12.5°, 20°, 30°, 60°, 15x30°, 10x60°	RGB	3,80
824010100	BAND GT 22W 1000mm 220V IP66	18x1,2W	1000x58x70	220V	5°, 12.5°, 20°, 30°, 60°, 15x30°, 10x60°	2700K - 6000K	3,80
824010090	BAND GT 22W 1000mm 24V IP66	24x1,2W	1000x58x70	24V	5°, 12.5°, 20°, 30°, 60°, 15x30°, 10x60°	2700K - 6000K	3,80
824010080	BAND GT 28W 1000mm RGBW IP66	24x1,2W	1000x58x70	24V	5°, 12.5°, 20°, 30°, 60°, 15x30°, 10x60°	RGBW	3,80
824010070	BAND GT 28W 1000mm RGB IP66	24x1,2W	1000x58x70	24V	5°, 12.5°, 20°, 30°, 60°, 15x30°, 10x60°	RGB	3,80
824010060	BAND GT 28W 1000mm 220V IP66	24x1,2W	1000x58x70	220V	5°, 12.5°, 20°, 30°, 60°, 15x30°, 10x60°	2700K - 6000K	3,80
824010050	BAND GT 28W 1000mm 24V IP66	24x1,2W	1000x58x70	24V	5°, 12.5°, 20°, 30°, 60°, 15x30°, 10x60°	2700K - 6000K	3,80
824010040	BAND GT 42W 1000mm RGBW IP66	36x1,2W	1000x58x70	24V	5°, 12.5°, 20°, 30°, 60°, 15x30°, 10x60°	RGBW	3,80
824010030	BAND GT 42W 1000mm RGB IP66	36x1,2W	1000x58x70	24V	5°, 12.5°, 20°, 30°, 60°, 15x30°, 10x60°	RGBW	0,50
824010020	BAND GT 42W 1000mm 220V IP66	36x1,2W	1000x58x70	220V	5°, 12.5°, 20°, 30°, 60°, 15x30°, 10x60°	RGBW	0,50
824010010	BAND GT 42W 1000mm 24V IP66	36x1,2W	1000x58x70	24V	5°, 12.5°, 20°, 30°, 60°, 15x30°, 10x60°	RGBW	0,50
824072015	BAND GT 72W 1000mm RGBW 4in1 36V IP66	18x4W	1000x58x70	36V	5°, 12.5°, 20°, 30°, 60°, 15x30°, 10x60°	RGBW	0,50

BAND FORTER L



view

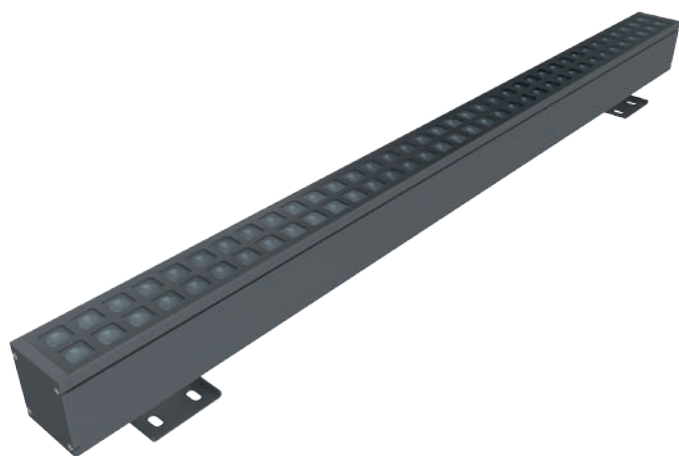
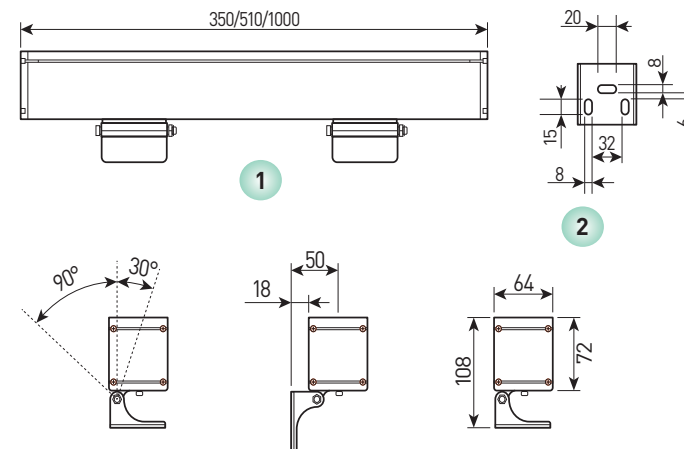


RAL

1 overall dimensions

2 swivel mount base

size



BAND FORTER L

Powerful linear fixture for the architectural lighting projects.

Housing:	Pressure die-cast aluminum alloy with polyester powder paint
Housing color:	Grey, RAL
Beam angle:	10°, 15°, 30°, 45°, 60°, 18x55°, 20x45°, 10x60°
IES protection classes:	Class I (SELV)
Color temperature, K:	2700K, 3000K, 4000K, 5000K, 6000K, R, G, B, RGB 3in1, RGBW 4in1
Input voltage, V:	24V, 220V
Control system:	On/Off, 0-10V, DMX-512, TRIAC, DALI
Ingress Protection Rating, IP:	IP66
Operating temperature:	-40°C ~ +50°C
Weight:	3,0-4,0kg

Article	Name	Power, W	Dimensions, mm	Input voltage, V	Beam angle, degrees	Color temperature, K	Weight, kg
769160030	BAND FORTER L 510mm 24W 24V/220V IP66 SINGLE COLOR	24W	510x65x108	24V, 220V	10°, 15°, 30°, 45°, 60°, 18x55°, 20x45°, 10x60°	2700K, 3000K, 4000K, 5000K, 6000K, R, G, B	3,00
769160031	BAND FORTER L 510mm 36W 24V/220V IP66 SINGLE COLOR	36W	510x65x108	24V, 220V	10°, 15°, 30°, 45°, 60°, 18x55°, 20x45°, 10x60°	2700K, 3000K, 4000K, 5000K, 6000K, R, G, B	3,00
769160032	BAND FORTER L 510mm 36W DMX RGB 3in1 24V/220V IP66	36W	510x65x108	24V, 220V	10°, 15°, 30°, 45°, 60°, 18x55°, 20x45°, 10x60°	RGB	3,00
769160033	BAND FORTER L 510mm 36W DMX RGBW 4in1 24V/220V IP66	36W	510x65x108	24V, 220V	10°, 15°, 30°, 45°, 60°, 18x55°, 20x45°, 10x60°	RGBW	3,00
769160034	BAND FORTER L 510mm 48W DMX RGB 3in1 24V/220V IP66	48W	510x65x108	24V, 220V	10°, 15°, 30°, 45°, 60°, 18x55°, 20x45°, 10x60°	RGB	3,00
769160035	BAND FORTER L 510mm 48W DMX RGBW 4in1 24V/220V IP66	48W	510x65x108	24V, 220V	10°, 15°, 30°, 45°, 60°, 18x55°, 20x45°, 10x60°	RGBW	3,00
769160036	BAND FORTER L 1000mm 48W 24V/220V IP66 SINGLE COLOR	48W	1000x65x108	24V, 220V	10°, 15°, 30°, 45°, 60°, 18x55°, 20x45°, 10x60°	2700K, 3000K, 4000K, 5000K, 6000K, R, G, B	4,00
769160037	BAND FORTER L 1000mm 72W 24V/220V IP66 SINGLE COLOR	72W	1000x65x108	24V, 220V	10°, 15°, 30°, 45°, 60°, 18x55°, 20x45°, 10x60°	2700K, 3000K, 4000K, 5000K, 6000K, R, G, B	4,00
769160038	BAND FORTER L 1000mm 72W DMX RGB 3in1 24V/220V IP66	72W	1000x65x108	24V, 220V	10°, 15°, 30°, 45°, 60°, 18x55°, 20x45°, 10x60°	RGB	4,00
769160039	BAND FORTER L 1000mm 72W DMX RGBW 4in1 24V/220V IP66	72W	1000x65x108	24V, 220V	10°, 15°, 30°, 45°, 60°, 18x55°, 20x45°, 10x60°	RGBW	4,00
769160040	BAND FORTER L 1000mm 96W DMX RGB 3in1 24V/220V IP66	96W	1000x65x108	24V, 220V	10°, 15°, 30°, 45°, 60°, 18x55°, 20x45°, 10x60°	RGB	4,00
769160041	BAND FORTER L 1000mm 96W DMX RGBW 4in1 24V/220V IP66	96W	1000x65x108	24V, 220V	10°, 15°, 30°, 45°, 60°, 18x55°, 20x45°, 10x60°	RGBW	4,00

BAND FORTER XL



view

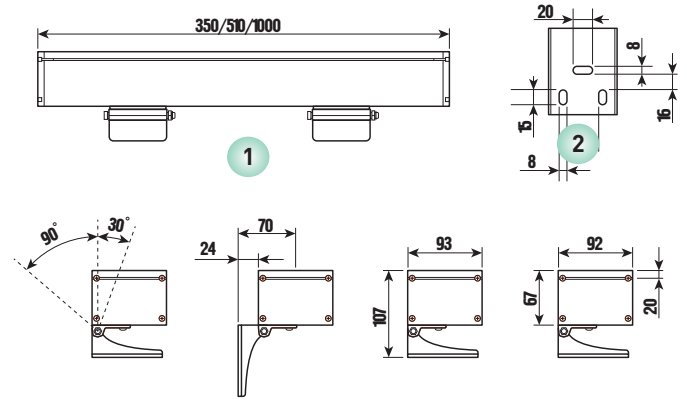


RAL

1 overall dimensions

2 swivel mount base

size



BAND FORTER XL

Powerful linear luminaire for architectural lighting.

Housing:	Pressure die-cast aluminum alloy with polyester powder paint
Housing color:	Grey, RAL
Beam angle:	10°, 15°, 30°, 45°, 60°, 18x55°, 20x45°, 10x60°
IES protection classes:	Class I (SELV)
Color temperature, K:	2700K, 3000K, 4000K, 5000K, 6000K, R, G, B, RGB 3in1, RGBW 4in1
Input voltage, V:	24V, 220V
Control system:	On/Off, 0-10V, DMX-512, TRIAC, DALI
Ingress Protection Rating, IP:	IP66
Operating temperature:	-40°C ~ +50°C
Weight:	4,0-5,5kg

Article	Name	Power, W	Dimensions, mm	Input voltage, V	Beam angle, degrees	Color temperature, K	Weight, kg
769160025	BAND FORTER XL 510mm 54W 24V/220V IP66 SINGLE COLOR	54W	510x92x107	24V, 220V	10°, 15°, 30°, 45°, 60°, 18x55°, 20x45°, 10x60°	2700K, 3000K, 4000K, 5000K, 6000K, R, G, B	4,00
769160026	BAND FORTER XL 510mm 54W DMX RGB 3in1 24V/220V IP66	54W	510x92x107	24V, 220V	10°, 15°, 30°, 45°, 60°, 18x55°, 20x45°, 10x60°	RGB	4,00
769160027	BAND FORTER XL 510mm 54W DMX RGBW 4in1 24V/220V IP66	54W	510x92x107	24V, 220V	10°, 15°, 30°, 45°, 60°, 18x55°, 20x45°, 10x60°	RGBW	4,00
769160028	BAND FORTER XL 510mm 72W DMX RGB 3in1 24V/220V IP66	72W	510x92x107	24V, 220V	10°, 15°, 30°, 45°, 60°, 18x55°, 20x45°, 10x60°	RGB	4,00
769160029	BAND FORTER XL 510mm 72W DMX RGBW 4in1 24V/220V IP66	72W	510x92x107	24V, 220V	10°, 15°, 30°, 45°, 60°, 18x55°, 20x45°, 10x60°	RGBW	4,00
769170031	BAND FORTER XL 1000mm 108W 24V/220V IP66 SINGLE COLOR	108W	1000x92x107	24V, 220V	10°, 15°, 30°, 45°, 60°, 18x55°, 20x45°, 10x60°	2700K, 3000K, 4000K, 5000K, 6000K, R, G, B	5,50
769170032	BAND FORTER XL 1000mm 108W DMX RGB 3in1 24V/220V IP66	108W	1000x92x107	24V, 220V	10°, 15°, 30°, 45°, 60°, 18x55°, 20x45°, 10x60°	RGB	5,50
769170033	BAND FORTER XL 1000mm 108W DMX RGBW 4in1 24V/220V IP66	108W	1000x92x107	24V, 220V	10°, 15°, 30°, 45°, 60°, 18x55°, 20x45°, 10x60°	RGBW	5,50
769170034	BAND FORTER XL 1000mm 144W DMX RGB 3in1 24V/220V IP66	144W	1000x92x107	24V, 220V	10°, 15°, 30°, 45°, 60°, 18x55°, 20x45°, 10x60°	RGB	5,50
769170035	BAND FORTER XL 1000mm 144W DMX RGBW 4in1 24V/220V IP66	144W	1000x92x107	24V, 220V	10°, 15°, 30°, 45°, 60°, 18x55°, 20x45°, 10x60°	RGBW	5,50

BAND OPTIMUS



view

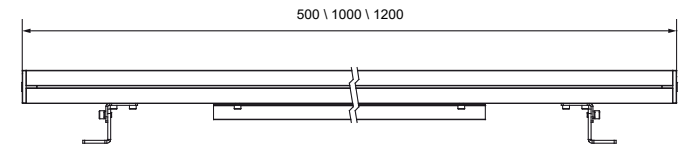
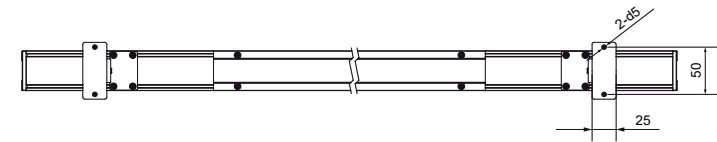
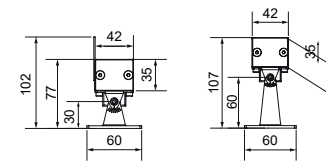
RAL



1 overall dimensions



size



1

BAND OPTIMUS

Linear fixture for the architectural lighting projects. RGB+W Tunable White with DMX-512+RDM operated.

Housing:	Pressure die-cast aluminum alloy with polyester powder paint
Beam angle:	symmetrical: 5°, 10°, 12.5°, 20°, 30°, 40°, 60° / asymmetrical: 15x30°, 10x60°
Housing color:	RAL
Color temperature, K:	2700K, 3000K, 4000K, 5000K, 6000K, R, G, B, RGB 3in1, RGBW 4in1, Tunable white
Control system:	DMX-512, RDM, Switch On\Off
Input voltage, V:	24V, 220V
Ingress Protection Rating, IP:	IP66
Color rendering index, CRI:	>80
Operating temperature:	-40°C ~ +50°C
Guaranteed lifetime, hours:	>50 000h

Article	Name	Power, W	Dimensions, mm	Input voltage, V	Beam angle, degrees	Color temperature, K	Weight, kg
770012020	BAND Optimus 12W 500mm 220V IP66	12W	500x42x35	220V	5°, 10°, 12.5°, 20°, 30°, 60°, 15x30°, 10x60°	2700K, 3000K, 4000K, 5000K, 6000K, R, G, B	1.8kg
770018010	BAND Optimus 18W 500mm 220V IP66	18W	500x42x35	220V	5°, 10°, 12.5°, 20°, 30°, 60°, 15x30°, 10x60°	2700K, 3000K, 4000K, 5000K, 6000K, R, G, B	1.8kg
770012030	BAND Optimus TW 12W 500mm DMX Tunable white [1800K-6000K] 220V IP66	12W	500x42x35	220V	5°, 10°, 12.5°, 20°, 30°, 60°, 15x30°, 10x60°	1800K-6000K Tunable white	1.8kg
770018020	BAND Optimus TW 18W 500mm DMX Tunable white [1800K-6000K] 220V IP66	18W	500x42x35	220V	5°, 10°, 12.5°, 20°, 30°, 60°, 15x30°, 10x60°	1800K-6000K Tunable white	1.8kg
770018030	BAND Optimus 18W 500mm DMX RGBW 4in1 220V IP66	18W	500x42x35	220V	20°, 40°, 60°, 15x60°	RGBW	1.8kg
770024005	BAND Optimus 24W 500mm DMX RGBW 4in1 220V IP66	24W	500x42x35	220V	20°, 40°, 60°, 15x60°	RGBW	1.8kg
770036020	BAND Optimus 36W 1000mm 220V IP66	36W	1000x42x35	220V	5°, 10°, 12.5°, 20°, 30°, 60°, 15x30°, 10x60°	2700K, 3000K, 4000K, 5000K, 6000K	3.5kg
770036030	BAND Optimus TW 36W 1000mm DMX Tunable white [1800K-6000K] 220V IP66	36W	1000x42x35	220V	5°, 10°, 12.5°, 20°, 30°, 60°, 15x30°, 10x60°	1800K, 2700K, 3000K, 4000K, 5000K, 6000K Tunable white	3.5kg
770036040	BAND Optimus 36W 1000mm DMX RGBW 4in1 220V IP66	36W	1000x42x35	220V	20°, 40°, 60°, 15x60°	RGBW	3.5kg
770048010	BAND Optimus 48W 1000mm DMX RGBW 4in1 220V IP66	48W	1000x42x35	220V	20°, 40°, 60°, 15x60°	RGBW	3.5kg
770048020	BAND Optimus 48W 1200mm 220V IP66	48W	1200x42x35	220V	5°, 10°, 12.5°, 20°, 30°, 60°, 15x30°, 10x60°	2700K, 3000K, 4000K, 5000K, 6000K	4kg
770036050	BAND Optimus TW 36W 1200mm DMX Tunable white [1800K-6000K] 220V IP66	36W	1200x42x35	220V	5°, 10°, 12.5°, 20°, 30°, 60°, 15x30°, 10x60°	1800K, 2700K, 3000K, 4000K, 5000K, 6000K Tunable white	4kg
770048030	BAND Optimus TW 48W 1200mm DMX Tunable white [1800K-6000K] 220V IP66	48W	1200x42x35	220V	5°, 10°, 12.5°, 20°, 30°, 60°, 15x30°, 10x60°	1800K, 2700K, 3000K, 4000K, 5000K, 6000K Tunable white	4kg
770036060	BAND Optimus 36W 1200mm DMX RGBW 4in1 220V IP66	36W	1200x42x35	220V	20°, 40°, 60°, 15x60°	RGBW	4kg
770048040	BAND Optimus 48W 1200mm DMX RGBW 4in1 220V IP66	48W	1200x42x35	220V	20°, 40°, 60°, 15x60°	RGBW	4kg
700025010	BAND Optimus 56W 1200mm DMX RGBW 4in1 220V IP66	56W	1200x42x35	220V	20°, 40°, 60°, 15x60°	RGBW	4kg

BAND BLADER



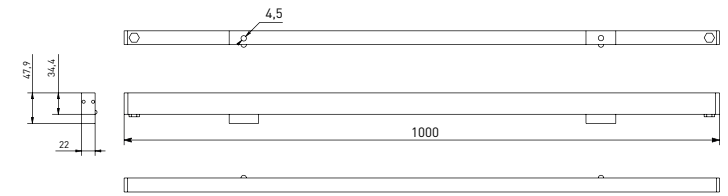
view



RAL

size

1 overall dimensions



BAND BLADER

Ultra-thin linear luminaire for architectural lighting.

Housing:	Extruded aluminum with a protective anti-corrosion coating
Housing color:	Metallic, RAL
Beam angle:	45°, 60°, 25°x45°, 120°
IES protection classes:	Class I (SELV)
Color temperature, K:	3000K, 4000K, 5700K, R, G, B, RGB 3in1, RGBW 4in1
Input voltage, V:	24V
Control system:	On/Off, DMX-512
Ingress Protection Rating, IP:	IP66
Operating temperature:	-40°C ~ +50°C
Weight:	0,3-0,7kg

Article	Name	Power, W	Dimensions, mm	Input voltage, V	Beam angle, degrees	Color temperature, K	Weight, kg
774004008	BAND BLADER 4W 300mm 24V IP66 SINGLE COLOR	4W	300x22x26	24V	45°, 60°, 25°x45°, 120°	3000K, 4000K, 5700K, R, G, B	0,3
774004010	BAND BLADER 4W 300mm 24V DMX RGB 3in1 IP66	4W	300x22x26	24V	45°, 60°, 25°x45°, 120°	RGB	0,3
774004012	BAND BLADER 4W 300mm 24V DMX RGBW 4in1 IP66	4W	300x22x26	24V	45°, 60°, 25°x45°, 120°	RGBW	0,3
774006008	BAND BLADER 6W 500mm 24V IP66 SINGLE COLOR	6W	500x22x26	24V	45°, 60°, 25°x45°, 120°	3000K, 4000K, 5700K, R, G, B	0,5
774006010	BAND BLADER 6W 500mm 24V DMX RGB 3in1 4segm IP66	6W	500x22x26	24V	45°, 60°, 25°x45°, 120°	RGB	0,5
774006012	BAND BLADER 6W 500mm 24V DMX RGBW 4in1 4segm IP66	6W	500x22x26	24V	45°, 60°, 25°x45°, 120°	RGBW	0,5
774012008	BAND BLADER 12W 1000mm 24V IP66 SINGLE COLOR	12W	1000x22x26	24V	45°, 60°, 25°x45°, 120°	3000K, 4000K, 5700K, R, G, B	0,7
774012010	BAND BLADER 12W 1000mm 24V DMX RGB 3in1 8segm IP66	12W	1000x22x26	24V	45°, 60°, 25°x45°, 120°	RGB	0,7
774012012	BAND BLADER 12W 1000mm 24V DMX RGBW 4in1 8segm IP66	12W	1000x22x26	24V	45°, 60°, 25°x45°, 120°	RGBW	0,7

BAND BLADER OPAL S

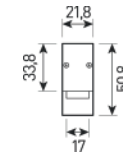


view



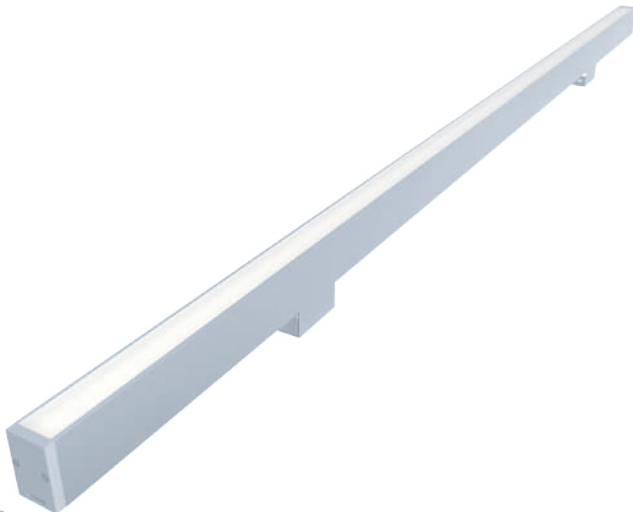
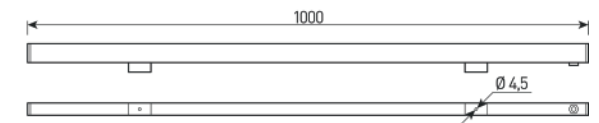
RAL

1 overall dimensions



1

size



BAND BLADER OPAL S

Ultra-thin linear luminaire for architectural lighting.

Housing:	Extruded aluminum with a protective anti-corrosion coating
Housing color:	Metallic, RAL
Beam angle:	120°
IES protection classes:	Class I (SELV)
Color temperature, K:	2700K, 3000K, 4000K, 5000K, 6000K, R, G, B, RGB 3in1, RGBW 4in1
Input voltage, V:	24V
Control system:	On/Off, DMX-512
Ingress Protection Rating, IP:	IP66
Operating temperature:	-40°C ~ +50°C
Weight:	0,3-0,6kg

Article	Name	Power, W	Dimensions, mm	Input voltage, V	Beam angle, degrees	Color temperature, K	Weight, kg
744012010	BAND BLADER OPAL S 4W 300mm 24V SINGLE COLOR on/off IP66	4W	300x17x34	24V	120°	2700K, 3000K, 4000K, 5000K, 6000K, R, G, B	0,3
744012012	BAND BLADER OPAL S 4W 300mm 24V DMX RGB 3in1 IP66	4W	300x17x34	24V	120°	RGB	0,3
744012014	BAND BLADER OPAL S 5W 300mm 24V DMX RGBW 4in1 IP66	5W	300x17x34	24V	120°	RGBW	0,3
744012015	BAND BLADER OPAL S 6W 500mm 24V SINGLE COLOR on/off IP66	6W	500x17x34	24V	120°	2700K, 3000K, 4000K, 5000K, 6000K, R, G, B	0,4
744012016	BAND BLADER OPAL S 6W 500mm 24V DMX SINGLE COLOR 4 segm IP66	6W	500x17x34	24V	120°	2700K, 3000K, 4000K, 5000K, 6000K, R, G, B	0,4
744012018	BAND BLADER OPAL S 6W 500mm 24V DMX RGB 3in1 4segm IP66	6W	500x17x34	24V	120°	RGB	0,4
744012020	BAND BLADER OPAL S 7W 500mm 24V DMX RGBW 4in1 4segm IP66	7W	500x17x34	24V	120°	RGBW	0,4
744012021	BAND BLADER OPAL S 12W 1000mm 24V SINGLE COLOR on/off IP66	12W	1000x17x34	24V	120°	2700K, 3000K, 4000K, 5000K, 6000K, R, G, B	0,5
744012022	BAND BLADER OPAL S 12W 1000mm 24V DMX SINGLE COLOR 8 segm IP66	12W	1000x17x34	24V	120°	2700K, 3000K, 4000K, 5000K, 6000K, R, G, B	0,5
744012024	BAND BLADER OPAL S 12W 1000mm 24V DMX RGB 3in1 8segm IP66	12W	1000x17x34	24V	120°	RGB	0,5
774014020	BAND BLADER OPAL S 14W 1000mm 24V DMX RGBW 4in1 8segm IP66	14W	1000x17x34	24V	120°	RGBW	0,5

BAND BLADER OPAL M



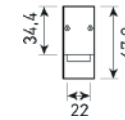
view



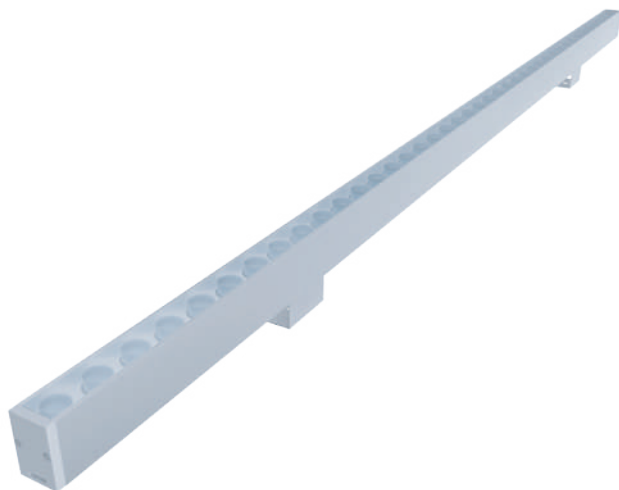
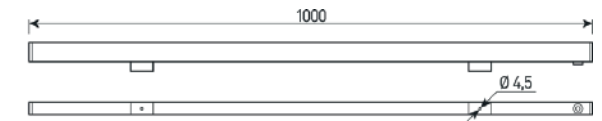
RAL

size

1 overall dimensions



1



BAND BLADER OPAL M

Ultra-thin linear luminaire for architectural lighting.

Housing:	Extruded aluminum with a protective anti-corrosion coating
Housing color:	Metallic, RAL
Beam angle:	30°, 45°, 25°x45°, 120°
IES protection classes:	Class I (SELV)
Color temperature, K:	2700K, 3000K, 4000K, 5000K, 6000K, R, G, B, RGB 3in1, RGBW 4in1
Input voltage, V:	24V
Control system:	On/Off, DMX-512
Ingress Protection Rating, IP:	IP66
Operating temperature:	-40°C ~ +50°C
Weight:	0,3-0,6kg

Article	Name	Power, W	Dimensions, mm	Input voltage, V	Beam angle, degrees	Color temperature, K	Weight, kg
774014022	BAND BLADER OPAL M 4W 300mm 24V SINGLE COLOR on/off IP66	4W	300x22x35	24V	30°, 45°, 25x45°, 120°	2700K, 3000K, 4000K, 5000K, 6000K, R, G, B	0,35
774014024	BAND BLADER OPAL M 4W 300mm 24V DMX RGB 3in1 IP66	4W	300x22x35	24V	30°, 45°, 25x45°, 120°	RGB	0,35
774014026	BAND BLADER OPAL M 5W 300mm 24V DMX RGBW 4in1 IP66	5W	300x22x35	24V	30°, 45°, 25x45°, 120°	RGBW	0,35
774014027	BAND BLADER OPAL M 6W 500mm 24V SINGLE COLOR on/off IP66	6W	500x22x35	24V	120°	2700K, 3000K, 4000K, 5000K, 6000K, R, G, B	0,45
774014028	BAND BLADER OPAL M 6W 500mm 24V DMX SINGLE COLOR 4 segm IP66	6W	500x22x35	24V	30°, 45°, 25x45°, 120°	2700K, 3000K, 4000K, 5000K, 6000K, R, G, B	0,45
774014030	BAND BLADER OPAL M 6W 500mm 24V DMX RGB 3in1 4segm IP66	6W	500x22x35	24V	30°, 45°, 25x45°, 120°	RGB	0,45
774014032	BAND BLADER OPAL M 7W 500mm 24V DMX RGBW 4in1 4segm IP66	7W	500x22x35	24V	30°, 45°, 25x45°, 120°	RGBW	0,45
774014033	BAND BLADER OPAL M 12W 1000mm 24V SINGLE COLOR on/off IP66	12W	1000x22x35	24V	120°	2700K, 3000K, 4000K, 5000K, 6000K, R, G, B	0,55
774014034	BAND BLADER OPAL M 12W 1000mm 24V DMX SINGLE COLOR 8 segm IP66	12W	1000x22x35	24V	30°, 45°, 25x45°, 120°	2700K, 3000K, 4000K, 5000K, 6000K, R, G, B	0,55
774014036	BAND BLADER OPAL M 12W 1000mm 24V DMX RGB 3in1 8segm IP66	12W	1000x22x35	24V	30°, 45°, 25x45°, 120°	RGB	0,55
774014038	BAND BLADER OPAL M 14W 1000mm 24V DMX RGBW 4in1 8segm IP66	14W	1000x22x35	24V	30°, 45°, 25x45°, 120°	RGBW	0,55

BAND BLADER OPAL L



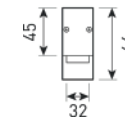
view



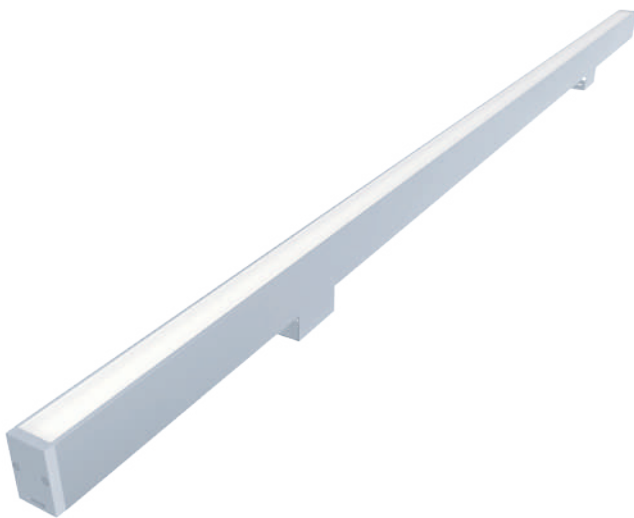
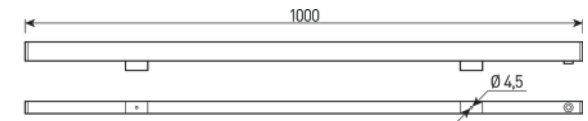
RAL

size

1 overall dimensions



1



BAND BLADER OPAL L

Ultra-thin linear luminaire for architectural lighting.

Housing:	Extruded aluminum with a protective anti-corrosion coating
Housing color:	Metallic, RAL
Beam angle:	120°
IES protection classes:	Class I (SELV)
Color temperature, K:	2700K, 3000K, 4000K, 5000K, 6000K, R, G, B, RGB 3in1, RGBW 4in1
Input voltage, V:	24V
Control system:	On/Off, DMX-512
Ingress Protection Rating, IP:	IP66
Operating temperature:	-40°C ~ +50°C
Weight:	0,3-0,6kg

Article	Name	Power, W	Dimensions, mm	Input voltage, V	Beam angle, degrees	Color temperature, K	Weight, kg
774014040	BAND BLADER OPAL L 4W 300mm 24V SINGLE COLOR on/off IP66	5W	300x32x45	24V	120°	2700K, 3000K, 4000K, 5000K, 6000K, R, G, B	0,4
774014042	BAND BLADER OPAL L 4W 300mm 24V DMX RGB 3in1 IP66	4W	300x32x45	24V	120°	RGB	0,4
774014044	BAND BLADER OPAL L 5W 300mm 24V DMX RGBW 4in1 IP66	5W	300x32x45	24V	120°	RGBW	0,4
774014046	BAND BLADER OPAL L 6W 500mm 24V SINGLE COLOR on/off IP66	6W	500x32x45	24V	120°	2700K, 3000K, 4000K, 5000K, 6000K, R, G, B	0,5
774014047	BAND BLADER OPAL L 6W 500mm 24V DMX SINGLE COLOR 4 segm IP66	6W	500x32x45	24V	120°	2700K, 3000K, 4000K, 5000K, 6000K, R, G, B	0,5
774014048	BAND BLADER OPAL L 6W 500mm 24V DMX RGB 3in1 4segm IP66	6W	500x32x45	24V	120°	RGB	0,5
774014050	BAND BLADER OPAL L 7W 500mm 24V DMX RGBW 4in1 4segm IP66	7W	500x32x45	24V	120°	RGBW	0,5
774014052	BAND BLADER OPAL L 12W 1000mm 24V SINGLE COLOR on/off IP66	12W	1000x32x45	24V	120°	2700K, 3000K, 4000K, 5000K, 6000K, R, G, B	0,6
774014053	BAND BLADER OPAL L 12W 1000mm 24V DMX SINGLE COLOR 8 segm IP66	12W	1000x32x45	24V	120°	2700K, 3000K, 4000K, 5000K, 6000K, R, G, B	0,6
774014054	BAND BLADER OPAL L 12W 1000mm 24V DMX RGB 3in1 8segm IP66	12W	1000x32x45	24V	120°	RGB	0,6
774014056	BAND BLADER OPAL L 14W 1000mm 24V DMX RGBW 4in1 8segm IP66	14W	1000x32x45	24V	120°	RGBW	0,6

BAND BLADER OPAL (R)

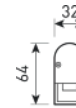


view



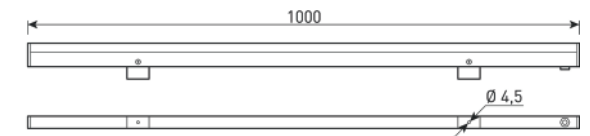
RAL

1 overall dimensions



1

size



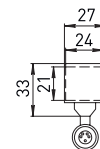
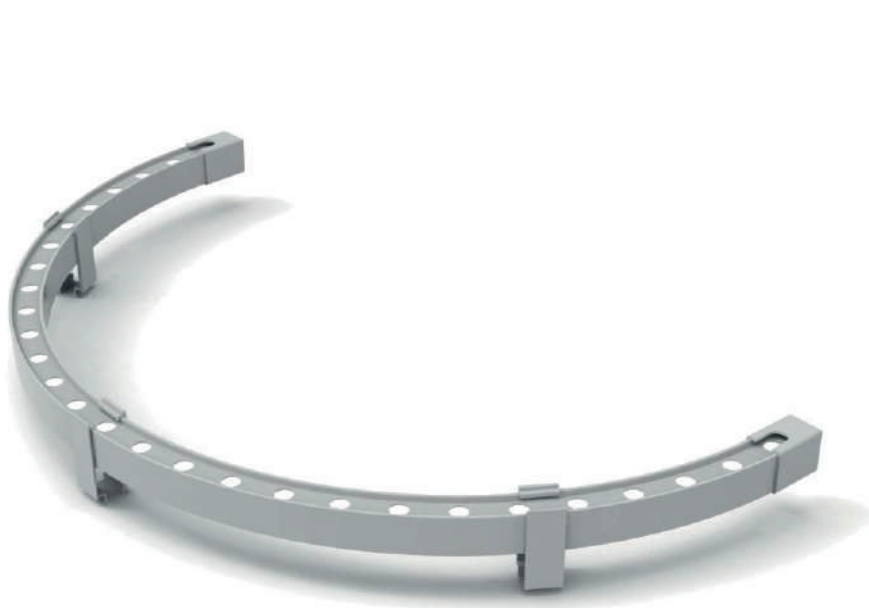
BAND BLADER OPAL (R)

Ultra-thin linear luminaire for architectural lighting.

Housing:	Extruded aluminum with a protective anti-corrosion coating
Housing color:	Metallic, RAL
Beam angle:	120°
IES protection classes:	Class I (SELV)
Color temperature, K:	2700K, 3000K, 4000K, 5000K, 6000K, R, G, B, RGB 3in1, RGBW 4in1
Input voltage, V:	24V
Control system:	On/Off, DMX-512
Ingress Protection Rating, IP:	IP66
Operating temperature:	-40°C ~ +50°C
Weight:	0,3-0,6kg

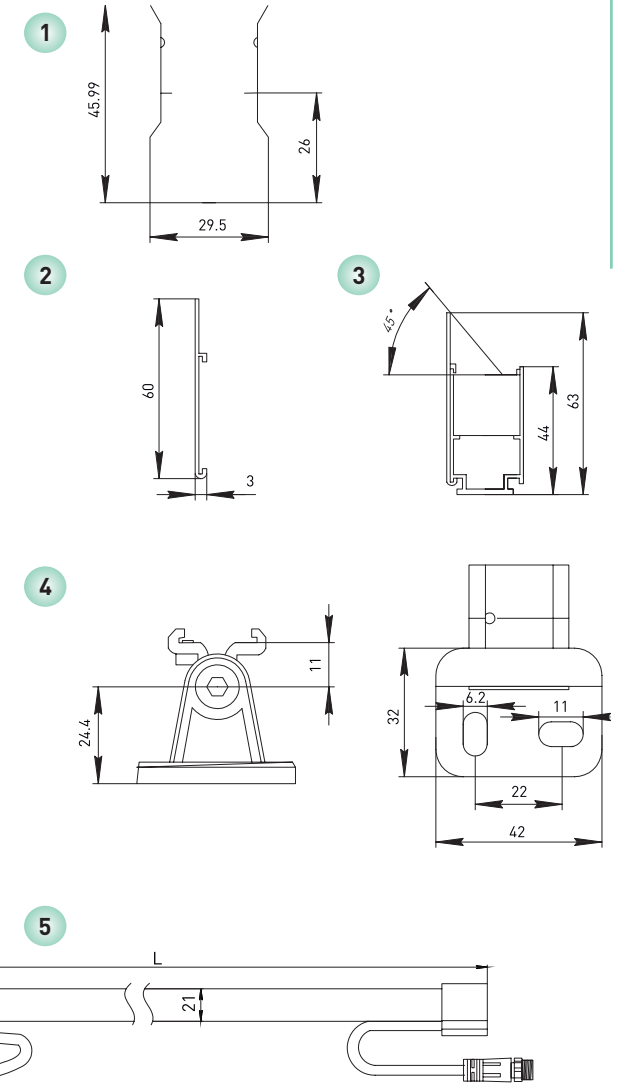
Article	Name	Power, W	Dimensions, mm	Input voltage, V	Beam angle, degrees	Color temperature, K	Weight, kg
774014058	BAND BLADER OPAL (R) 4W 300mm 24V SINGLE COLOR on/off IP66	5W	300x32x45	24V	120°	2700K, 3000K, 4000K, 5000K, 6000K, R, G, B	0,4
774014060	BAND BLADER OPAL (R) 4W 300mm 24V DMX RGB 3in1 IP66	4W	300x32x45	24V	120°	RGB	0,4
774014062	BAND BLADER OPAL (R) 5W 300mm 24V DMX RGBW 4in1 IP66	5W	300x32x45	24V	120°	RGBW	0,4
774014064	BAND BLADER OPAL (R) 6W 500mm 24V SINGLE COLOR on/off IP66	6W	500x32x45	24V	120°	2700K, 3000K, 4000K, 5000K, 6000K, R, G, B	0,5
774014066	BAND BLADER OPAL (R) 6W 500mm 24V DMX SINGLE COLOR 4 segm IP66	6W	500x32x45	24V	120°	2700K, 3000K, 4000K, 5000K, 6000K, R, G, B	0,5
774014068	BAND BLADER OPAL (R) 6W 500mm 24V DMX RGB 3in1 4segm IP66	6W	500x32x45	24V	120°	RGB	0,5
774014070	BAND BLADER OPAL (R) 7W 500mm 24V DMX RGBW 4in1 4segm IP66	7W	500x32x45	24V	120°	RGBW	0,5
774014072	BAND BLADER OPAL (R) 12W 1000mm 24V SINGLE COLOR on/off IP66	12W	1000x32x45	24V	120°	2700K, 3000K, 4000K, 5000K, 6000K, R, G, B	0,6
774014074	BAND BLADER OPAL (R) 12W 1000mm 24V DMX SINGLE COLOR 8 segm IP66	12W	1000x32x45	24V	120°	2700K, 3000K, 4000K, 5000K, 6000K, R, G, B	0,6
774014076	BAND BLADER OPAL (R) 12W 1000mm 24V DMX RGB 3in1 8segm IP66	12W	1000x32x45	24V	120°	RGB	0,6
774014078	BAND BLADER OPAL (R) 14W 1000mm 24V DMX RGBW 4in1 8segm IP66	14W	1000x32x45	24V	120°	RGBW	0,6

view



- 1 clip holder
- 2 antiglare visor
- 3 clip holder with antiglare visor
- 4 swivel holder
- 5 overall dimensions

size



BAND AGIVA

Flexible linear luminaire for architectural accent lighting.

Housing:	Sealed die-cast silicone housing
Housing color:	Grey
Beam angle:	15°, 30°, 45°
IES protection classes:	Class I (SELV)
Color temperature, K:	3000K, 4000K, 5000K, R, G, B, RGB 3in1, RGBW 4in1
Input voltage, V:	24V
Control system:	On/Off, DMX-512
Ingress Protection Rating, IP:	IP67
Operating temperature:	-40°C ~ +50°C
Weight:	0.7kg

Article	Name	Power, W	Dimensions, mm	Input voltage, V	Beam angle, degrees	Color Temperature, K	Weight, kg
911024011	BAND AGIVA 1000mm 24W 24V DMX-512 IP67 SINGLE COLOR	24W	1000x24x21	24V	15°, 30°, 45°	3000K, 4000K, 5000K, R, G, B	0,70
911024021	BAND AGIVA 1000mm 18W 24V RGB 3in1 DMX IP67 4segm	18W	1000x24x21	24V	15°, 30°, 45°	RGB	0,70
911024031	BAND AGIVA 1000mm 18W 24V RGBW 4in1 DMX IP67 4segm	18W	1000x24x21	24V	15°, 30°, 45°	RGBW	0,70
9110001	BAND AGIVA bracket						
9110002	BAND AGIVA anti glare shield 1000mm						

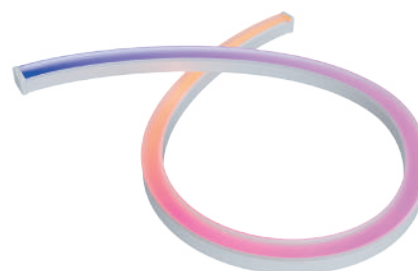
BAND AGIVA BASIC



view



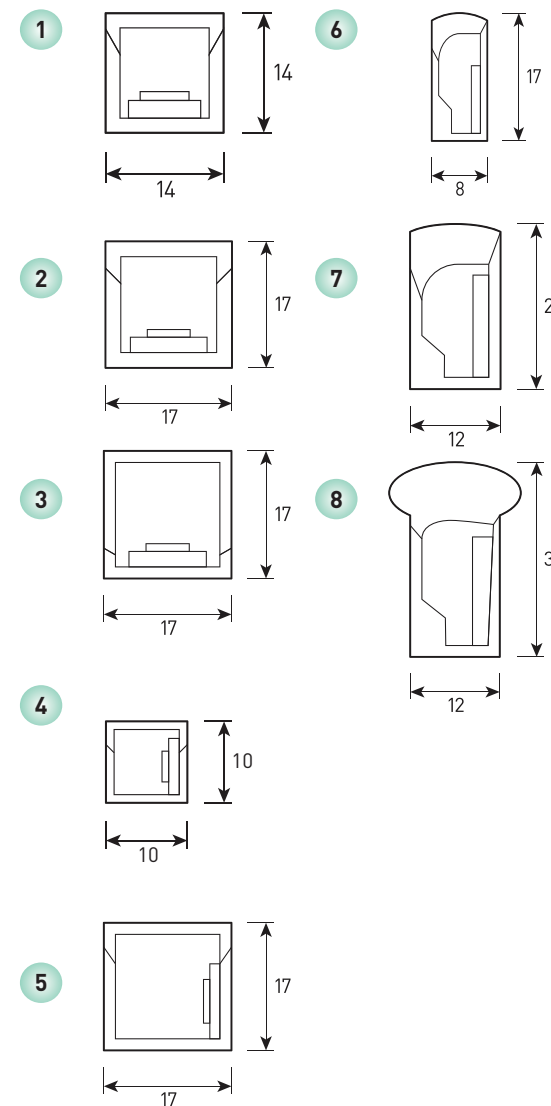
BAND AGIVA BASIC (SIDE)



BAND AGIVA BASIC (TOP)

size

- 1 BAND AGIVA BASIC S (TOP)
- 2 BAND AGIVA BASIC M (TOP)
- 3 BAND AGIVA BASIC L (TOP)
- 4 BAND AGIVA BASIC S (SIDE)
- 5 BAND AGIVA BASIC M (SIDE)
- 6 BAND AGIVA BASIC [SQUARE S] (SIDE)
- 7 BAND AGIVA BASIC [SQUARE M] (SIDE)
- 8 BAND AGIVA BASIC [ROUNDCAP](SIDE)



BAND AGIVA BASIC

Flexible linear luminaire for architectural accent lighting

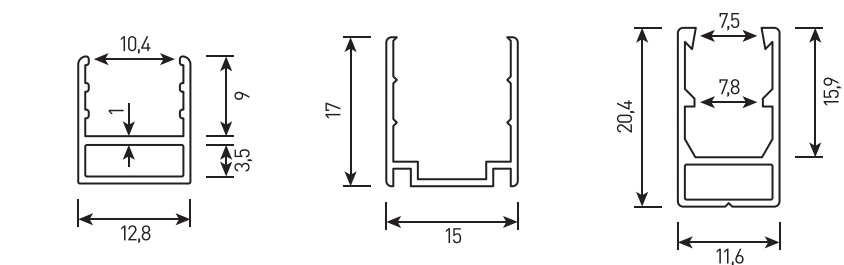
Housing:	Sealed die-cast silicone housing
Housing color:	White
Beam angle:	120°, 260°
IES protection classes:	Class I (SELV)
Color temperature, K:	2500K, 3000K, 4000K, 5000K, 6000K, R, G, B, RGB 3in1, RGBW 4in1
Input voltage, V:	24V
Control system:	On/Off, PWM, 1-10V, DMX-512, TRIAC, DALI
Ingress Protection Rating, IP:	IP68
Operating temperature:	-40°C ~ +50°C
Minimal cutting length:	0,1m
Maximum length:	8m DMX-512, 5-10m SINGLE COLOR
Bend radius:	0,1-0,15m
Weight:	0,2-0,5kg

Article	Name	Power, W	Dimensions, mm	Input voltage, V	Beam angle, degrees	Color temperature, K	Weight, kg
911024041	BAND AGIVA BASIC S (TOP) 1000mm 10W 24V IP68 SINGLE COLOR	10W	1000x14x14	24V	120°	2500K, 3000K, 4000K, 5000K, 6000K, R, G, B	0,30
911024051	BAND AGIVA BASIC M (TOP) 1000mm 10W 24V IP68 SINGLE COLOR	10W	1000x17x17	24V	120°	2500K, 3000K, 4000K, 5000K, 6000K, R, G, B	0,45
911024061	BAND AGIVA BASIC M (TOP) 1000mm 15W 24V RGB 3in1 DMX IP68 10segm	15W	1000x17x17	24V	120°	RGB	0,45
911024071	BAND AGIVA BASIC M (TOP) 1000mm 18W 24V RGBW 4in1 DMX IP68 10segm	18W	1000x17x17	24V	120°	RGBW	0,45
911024081	BAND AGIVA BASIC L (TOP) 1000mm 10W 24V IP68 SINGLE COLOR	10W	1000x17x17	24V	260°	2500K, 3000K, 4000K, 5000K, 6000K, R, G, B	0,45
911024091	BAND AGIVA BASIC L (TOP) 1000mm 15W 24V RGB 3in1 DMX IP68 10segm	15W	1000x17x17	24V	260°	2700K, 3000K, 4000K, 5000K, 6000K, R, G, B	0,45
911025040	BAND AGIVA BASIC L (TOP) 1000mm 18W 24V RGBW 4in1 DMX IP68 10segm	18W	1000x17x17	24V	260°	RGBW	0,45
911025050	BAND AGIVA BASIC S (SIDE) 1000mm 10W 24V IP68 SINGLE COLOR	10W	1000x10x10	24V	120°	2500K, 3000K, 4000K, 5000K, 6000K, R, G, B	0,20
911025060	BAND AGIVA BASIC M (SIDE) 1000mm 10W 24V IP68 SINGLE COLOR	10W	1000x17x17	24V	120°	2500K, 3000K, 4000K, 5000K, 6000K, R, G, B	0,45
911025070	BAND AGIVA BASIC [SQUARE S] (SIDE) 1000mm 5W 24V IP68 SINGLE COLOR	5W	1000x8x17	24V	120°	2500K, 3000K, 4000K, 5000K, 6000K, R, G, B	0,20
911025080	BAND AGIVA BASIC [SQUARE M] (SIDE) 1000mm 15W 24V IP68 SINGLE COLOR	15W	1000x12x22	24V	120°	2500K, 3000K, 4000K, 5000K, 6000K, R, G, B	0,45
911025090	BAND AGIVA BASIC [SQUARE M] (SIDE) 1000mm 15W 24V RGB 3in1 DMX IP68 10segm	15W	1000x12x22	24V	120°	RGB	0,45
911026010	BAND AGIVA BASIC [SQUARE M] (SIDE) 1000mm 18W 24V RGBW 4in1 DMX IP68 10segm	18W	1000x12x22	24V	120°	RGBW	0,45
911026020	BAND AGIVA BASIC [ROUND CAP] (SIDE) 1000mm 15W 24V IP68 SINGLE COLOR	15W	1000x12x30	24V	260°	2500K, 3000K, 4000K, 5000K, 6000K, R, G, B	0,50
911026030	BAND AGIVA BASIC [ROUND CAP] (SIDE) 1000mm 15W 24V RGB 3in1 DMX IP68 10segm	15W	1000x12x30	24V	260°	RGB	0,50
911026040	BAND AGIVA BASIC [ROUND CAP] (SIDE) 1000mm 18W 24V RGBW 4in1 DMX IP68 10segm	18W	1000x12x30	24V	260°	RGBW	0,50

BAND AGIVA BASIC ACCESSORIES



1



1

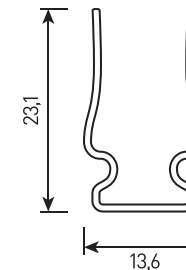
MOUNTING CHANNEL ALU

2

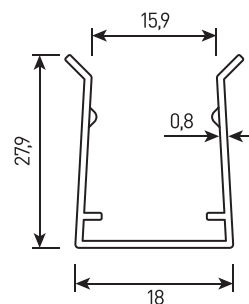
STAINLESS FLEXIBLE MOUNTING CHANNEL

3

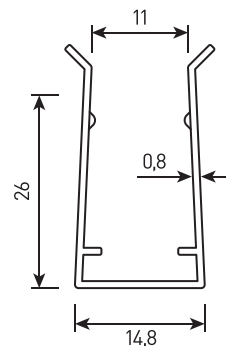
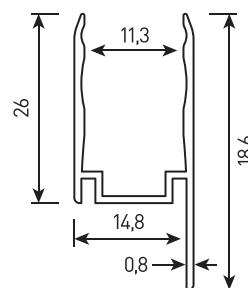
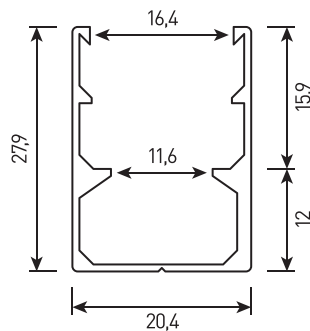
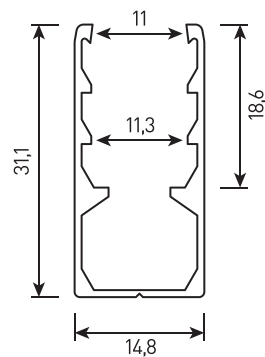
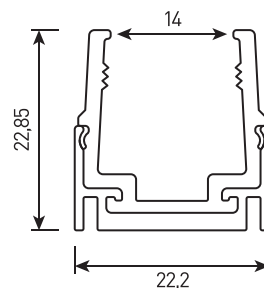
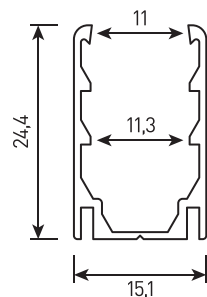
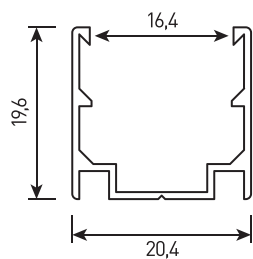
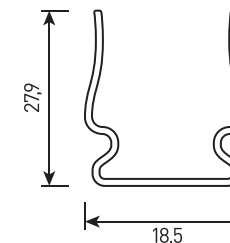
STAINLESS MOUNTING CLIP



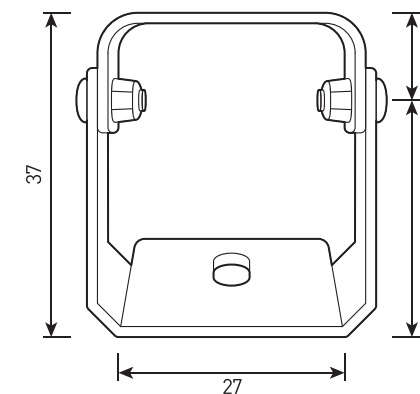
2



3



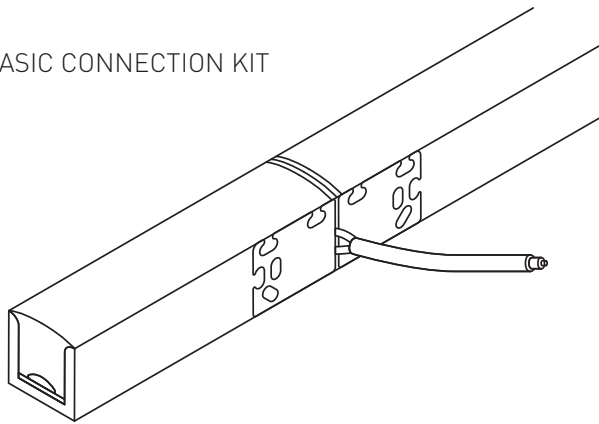
ROTATE BRACKET



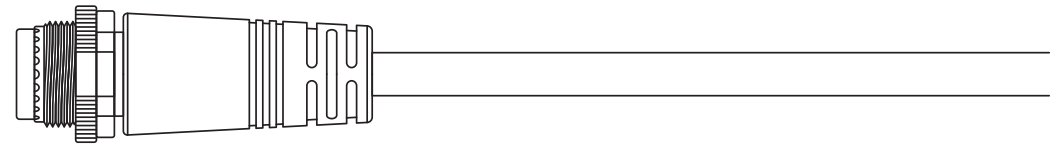
BAND AGIVA BASIC ACCESSORIES

Multifunctional spotlight for accent lighting.

AGIVA BASIC CONNECTION KIT



CONNECTOR IP68/ENDCAP IP68



Article

Name

911026041	MOUNTING CHANNEL ALU
911026042	STAINLESS FLEXIBLE MOUNTING CHANNEL
911026043	STAINLESS MOUNTING CLIP
911026044	ROTATE BRACKET
911026045	AGIVA BASIC ENDCAP KIT
911026046	CONNECTOR IP68
911026047	CONNECTOR ENDCAP IP68
911026048	AGIVA BASIC CONNECTION KIT
911026049	AGIVA BASIC ENDCAP

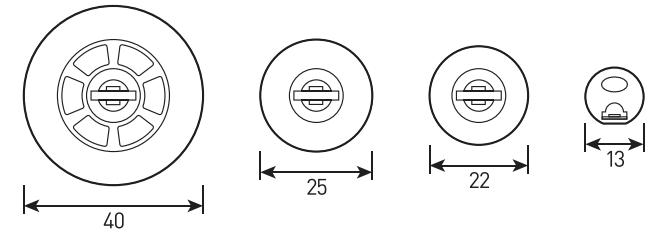
BAND AGIVA TUBE



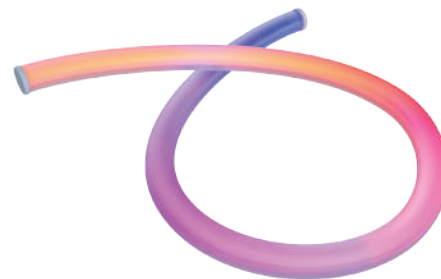
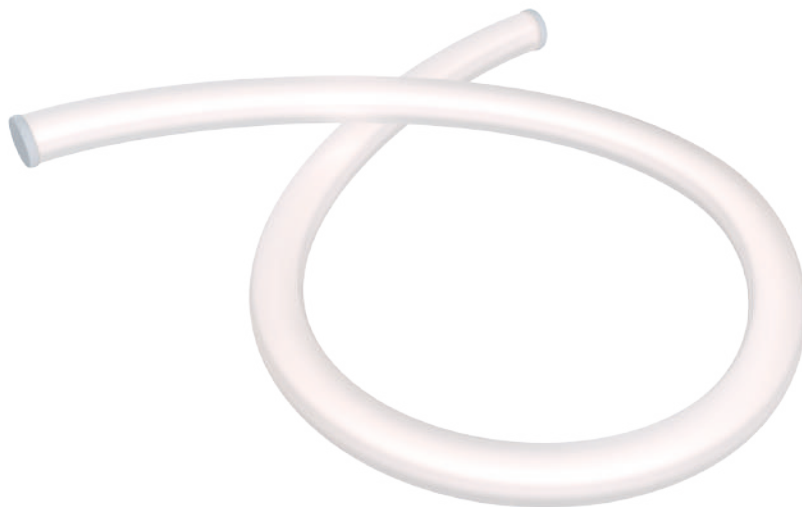
view



1 overall dimensions



size



BAND AGIVA TUBE

Flexible linear luminaire for architectural accent lighting

Housing:	Sealed die-cast silicone housing
Fasteners:	Transparent
Beam angle:	360°
IES protection classes:	Class I (SELV)
Color temperature, K:	2500K, 3000K, 4000K, 5000K, 6000K, R, G, B, RGB 3in1, RGBW 4in1
Input voltage, V:	24V
Control system:	On/Off, PWM, 1-10V, DMX-512, TRIAC, DALI
Ingress Protection Rating, IP:	IP67
Operating temperature:	-40°C ~ +50°C
Minimum cutting length:	0,1m
Maximum length:	5m DMX-512, 5m SINGLE COLOR
Bend radius:	0,1-0,15m
Weight:	0,2-0,75kg/m

Article	Name	Power, W	Dimensions, mm	Input voltage, V	Beam angle, degrees	Color temperature, K	Weight, kg
911026050	BAND AGIVA TUBE S 1000mm 6W 24V IP67 SINGLE COLOR	6W	D13x1000	24V	270°	2500K, 3000K, 4000K, 5000K, 6000K, R, G, B	0,20kg
911026060	BAND AGIVA TUBE M 1000mm 14W 24V IP67 SINGLE COLOR	14W	D22x1000	24V	360°	2500K, 3000K, 4000K, 5000K, 6000K, R, G, B	0,35kg
911026070	BAND AGIVA TUBE L 1000mm 16W 24V IP67 SINGLE COLOR	16W	D25x1000	24V	360°	2500K, 3000K, 4000K, 5000K, 6000K, R, G, B	0,40kg
911026080	BAND AGIVA TUBE L 1000mm 18W 24V RGB 3in1 DMX IP67	18W	D25x1000	24V	360°	RGB	0,40kg
911026090	BAND AGIVA TUBE XL 1000mm 14W 24V IP67 SINGLE COLOR	15W	D40x1000	24V	360°	2500K, 3000K, 4000K, 5000K, 6000K, R, G, B	0,75kg
911026092	BAND AGIVA TUBE XL 1000mm 18W 24V RGB 3in1 DMX IP67	18W	D40x1000	24V	360°	RGB	0,75kg



FLOODLIGHTS



GARNET GLOW XS



view

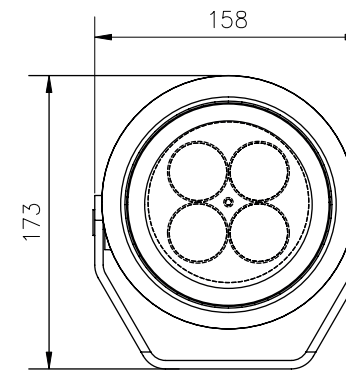
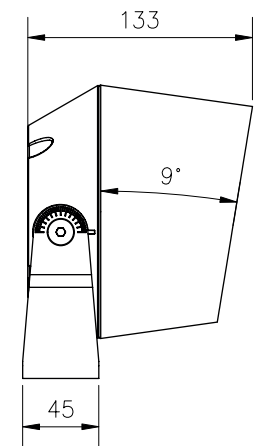
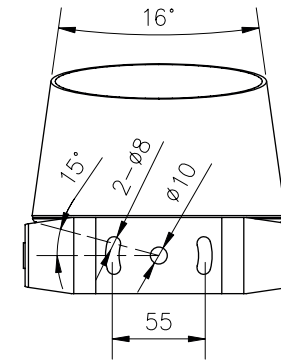


RAL



size

1 overall dimensions



1

GARNET GLOW XS

Multifunctional spotlight for architectural lighting. Multichip 4-in-1 RGB+W Tunable White with DMX-512 operated, mounting version: on surface, to pillar.

Housing:	Pressure die-cast aluminum alloy with polyester powder paint. Body and glass are fitted with silicone gaskets.
Fasteners:	Stainless steel, T=2.00mm
Glass:	tempered glass, 3.0 mm
Beam angle:	2.6°, 3.5°, 12°, 15°, 20°, 30°, 60°, 10x70°, 5x20°, 15x60°
Housing color:	Black, RAL
Color temperature, K:	2700K, 3000K, 4000K, 5000K, R, G, B
Input voltage, V:	24V, 220V
Control system:	1-10V, DALI, DMX-512, Switch On\Off
Ingress Protection Rating, IP:	IP66
Operating temperature:	-40°C ~ +50°C

Article	Name	Power, W	Dimensions, mm	Input voltage, V	Beam angle, degrees	Color temperature, K	Weight, kg
622009010	GARNET GLOW XS 9W 100V-264V IP66 Single Color	9W	158x173x133	220V	2.6°, 3.5°, 12°, 20°, 30°, 60°, 10x70, 5x20	2700K, 3000K, 4000K, 5000K	1.7kg
622009020	GARNET GLOW XS 9W DC24V-AC100-264V RGBW 4in1 IP66	9W	158x173x133	220V/24V	15°, 20°, 30°, 15x60	RGBW	1.7kg
622015010	GARNET GLOW XS 15W 100V-264V IP66 Single Color	15W	158x173x133	220V	2.6°, 3.5°, 12°, 20°, 30°, 60°, 10x70, 5x20	2700K, 3000K, 4000K, 5000K, 6000K, R, G, B	1.7kg
622015020	GARNET GLOW XS 15W DC24V-AC100-264V RGBW 4in1 IP66	15W	158x173x133	220V/24V	15°, 20°, 30°, 15x60	RGBW	1.7kg
622020010	GARNET GLOW XS 20W 100V-264V IP66 Single Color	20W	158x173x133	220V	2.6°, 3.5°, 12°, 20°, 30°, 60°, 10x70, 5x20	2700K, 3000K, 4000K, 5000K	1.7kg
622020025	GARNET GLOW XS TW 20W DC24V-AC100-264V IP66 RDM DMX Tunable white 1800K - 6000K	20W	158x173x133	220V	2.6°, 3.5°, 12°, 20°, 30°, 60°, 10x70, 5x21	1800K, 2700K, 3000K, 4000K, 5000K, 6000K, Tunable white	1.7kg
622020020	GARNET GLOW XS 20W DC24V-AC100-264V RGBW 4in1 IP66	20W	158x173x133	220V/24V	15°, 20°, 30°, 15x60	RGBW	1.7kg

GARNET GLOW S



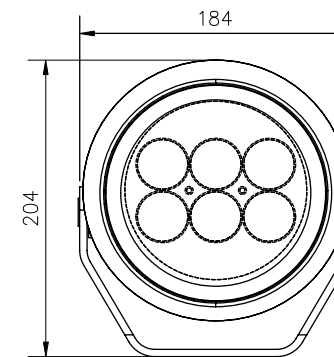
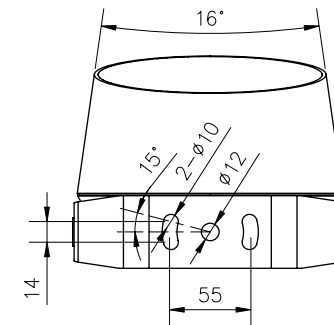
view



RAL

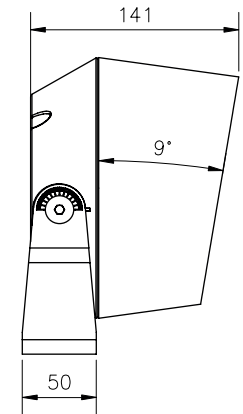


1 overall dimensions



1

size



GARNET GLOW S

Multifunctional spotlight for architectural lighting. Multichip 4-in-1 RGB+W Tunable White with DMX-512 operated, mounting version: on surface, to pillar.

Housing:	Pressure die-cast aluminum alloy with polyester powder paint. Body and glass are fitted with silicone gaskets.
Fasteners:	Stainless steel, T=2.00mm
Glass:	tempered glass, 3.0 mm
Optical system:	lenses, efficiency 85%
Beam angle:	2.6°, 3.5°, 12°, 15°, 20°, 30°, 60°, 10x70°, 5x20°, 15x60°
Housing color:	Black, RAL
Color temperature, K:	2700K, 3000K, 4000K, 5000K, RGBW, Tunable white
Input voltage, V:	24V, 36V, 220V
Control system:	1-10V, DALI, DMX-512, RDM, Switch On\Off
Ingress Protection Rating, IP:	IP66
Operating temperature:	-40°C ~ +50°C

Article	Name	Power, W	Dimensions, mm	Input voltage, V	Beam angle, degrees	Color temperature, K	Weight, kg
622030010	GARNET GLOW S 30W 100V-264V IP66 Single Color	30W	184x204x141	220V	2.6°, 3.5°, 12°, 20°, 30°, 60°, 10x70, 5x20	2700K, 3000K, 4000K, 5000K	2kg
622030015	GARNET GLOW S TW 30W 100V-264V IP66 RDM DMX Tunable white 1800K - 6000K	30W	184x204x141	220V	2.6°, 3.5°, 12°, 20°, 30°, 60°, 10x70, 5x20	1800K-6000K Tunable white	2kg
622030020	GARNET GLOW S 30W DC24V-AC100-264V RGBW 4in1 IP66	30W	184x204x141	220V/24V	15°, 20°, 30°, 15x60	RGBW	2kg

GARNET GLOW M



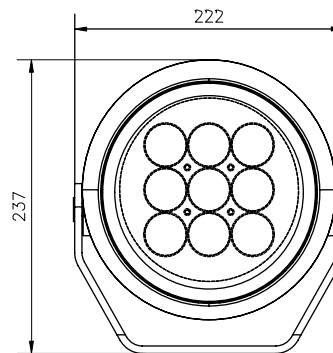
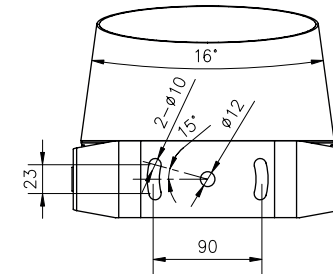
view



RAL

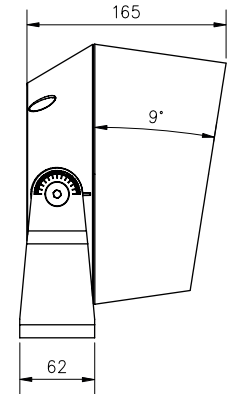


1 overall dimensions



1

size



GARNET GLOW M

Multifunctional spotlight for architectural lighting. Multichip 4-in-1 RGB+W Tunable White with DMX-512 operated, mounting version: on surface, to pillar.

Housing:	Pressure die-cast aluminum alloy with polyester powder paint. Body and glass are fitted with silicone gaskets.
Fasteners:	Stainless steel, T=2.00mm
Glass:	tempered glass, 3.0 mm
Optical system:	lenses, efficiency 85%
Beam angle:	2.6°, 3.5°, 12°, 15°, 20°, 30°, 60°, 10x70°, 5x20°, 15x60°
Housing color:	Black, RAL
Color temperature, K:	2700K, 3000K, 4000K, 5000K, RGBW, Tunable white
Input voltage, V:	24V, 36V, 220V
Control system:	1-10V, DALI, DMX-512, RDM, Switch On\Off
Ingress Protection Rating, IP:	IP66
Operating temperature:	-40°C ~ +50°C

Article	Name	Power, W	Dimensions, mm	Input voltage, V	Beam angle, degrees	Color temperature, K	Weight, kg
622035010	GARNET GLOW M 35W 100V-264V IP66 Single Color	35W	222x237x165	220V	2.6°, 3.5°, 12°, 20°, 30°, 60°, 10x70, 5x20	2700K, 3000K, 4000K, 5000K	3.5kg
622035015	GARNET GLOW M TW 35W 100V-264V IP66 RDM DMX Tunable white 1800K - 6000K	35W	222x237x165	220V	2.6°, 3.5°, 12°, 20°, 30°, 60°, 10x70, 5x20	1800K-6000K Tunable white	3.5kg
622035020	GARNET GLOW M 35W DC36V-AC100-264V RGBW 4in1 IP66	35W	222x237x165	220V/36V	15°, 20°, 30°, 15x60	RGBW	3.5kg
622050010	GARNET GLOW M 50W 100V-264V IP66 Single Color	50W	222x237x165	220V	2.6°, 3.5°, 12°, 20°, 30°, 60°, 10x70, 5x20	2700K, 3000K, 4000K, 5000K	3.5kg
622050025	GARNET GLOW M TW 50W AC100-264V IP66 RDM DMX Tunable white 1800K - 6000K	50W	222x237x165	220V	2.6°, 3.5°, 12°, 20°, 30°, 60°, 10x70, 5x21	1800K-6000K Tunable white	3.5kg
622050020	GARNET GLOW M 50W DC36V-AC100-264V RGBW 4in1 IP66	50W	222x237x165	220V/36V	15°, 20°, 30°, 15x60	RGBW	3.5kg

GARNET GLOW L/XL



view



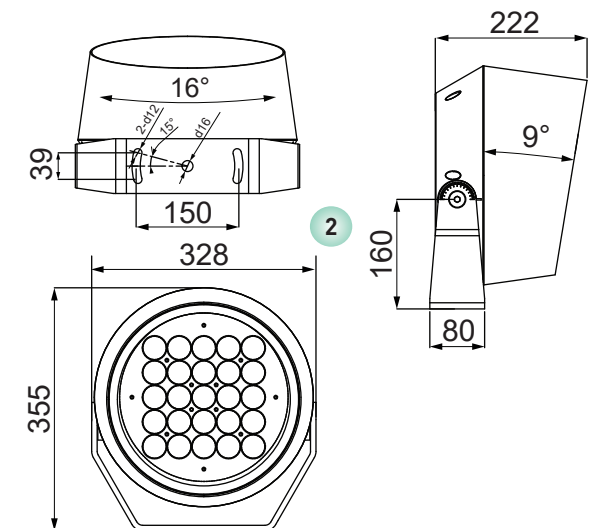
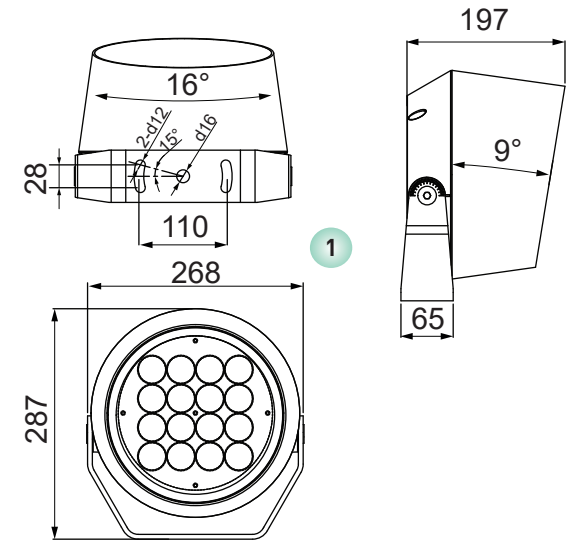
RAL

1 GARNET GLOW L

2 GARNET GLOW XL



size



GARNET GLOW L/XL

Multifunctional spotlight for architectural lighting. Multichip 4-in-1 RGB+W Tunable White with DMX-512 operated, mounting version: on surface, to pillar.

Housing:	Pressure die-cast aluminum alloy with polyester powder paint. Body and glass are fitted with silicone gaskets.
Fasteners:	Stainless steel, T=2.00mm
Glass:	tempered glass, 3.0 mm
Optical system:	lenses, efficiency 85%
Beam angle:	2.6°, 3.5°, 12°, 15°, 20°, 30°, 60°, 10x70°, 5x20°, 15x60°
Housing color:	Black, RAL
Color temperature, K:	2700K, 3000K, 4000K, 5000K, RGBW, Tunable white
Input voltage, V:	36V, 220V
Control system:	1-10V, DALI, DMX-512, RDM, Switch On\Off
Ingress Protection Rating, IP:	IP66
Operating temperature:	-40°C ~ +50°C

Article	Name	Power, W	Dimensions, mm	Input voltage, V	Beam angle, degrees	Color temperature, K	Weight, kg
622060010	GARNET GLOW L 60W 100V-264V IP66 Single Color	60W	268x287x197	220V	2.6°, 3.5°, 12°, 20°, 30°, 60°, 10x70, 5x20	2700K, 3000K, 4000K, 5000K	6kg
622060020	GARNET GLOW L 60W DC36V-AC100-264V RGBW 4in1 IP66	60W	268x287x197	220V/36V	15°, 20°, 30°, 15x60	RGBW	6kg
622060025	GARNET GLOW L TW 60W AC100-264V IP66 RDM DMX Tunable white 1800K - 6000K	60W	268x287x197	220V/36V	2.6°, 3.5°, 12°, 20°, 30°, 60°, 10x70, 5x20	1800K, 2700K, 3000K, 4000K, 5000K, 6000K Tunable white	6kg
622090010	GARNET GLOW L 90W 100V-264V IP66 Single Color	90W	268x287x197	220V	2.6°, 3.5°, 12°, 20°, 30°, 60°, 10x70, 5x20	2700K, 3000K, 4000K, 5000K	6kg
622090020	GARNET GLOW L 90W DC36V-AC100-264V RGBW 4in1 IP66	90W	268x287x197	220V/36V	15°, 20°, 30°, 15x60	RGBW	6kg
622090025	GARNET GLOW L TW 90W AC100-264V IP66 RDM DMX Tunable white 1800K - 6000K	90W	268x287x197	220V/36V	2.6°, 3.5°, 12°, 20°, 30°, 60°, 10x70, 5x20	1800K, 2700K, 3000K, 4000K, 5000K, 6000K Tunable white	6kg
622120020	GARNET GLOW L 120W DC36V-AC100-264V RGBW 4in1 IP66	120W	268x287x197	220V/36V	15°, 20°, 30°, 15x60	RGBW	6kg
622150010	GARNET GLOW XL 150W 100V-264V IP66 Single Color	150W	328x355x222	220V	2.6°, 3.5°, 12°, 20°, 30°, 60°, 10x70, 5x20	2700K, 3000K, 4000K, 5000K	9kg
622150020	GARNET GLOW XL 150W DC36V RGBW 4in1 IP66	150W	328x355x222	36V	15°, 20°, 30°, 15x60	RGBW	9kg
622150030	GARNET GLOW XL 150W AC100-264V RGBW 4in1 IP66	150W	328x355x222	220V	15°, 20°, 30°, 15x60	RGBW	9kg
622150035	GARNET GLOW XL TW 150W AC100-264V IP66 RDM DMX Tunable white 1800K - 6000K	150W	328x355x222	220V	2.6°, 3.5°, 12°, 20°, 30°, 60°, 10x70, 5x20	1800K, 2700K, 3000K, 4000K, 5000K, 6000K Tunable white	9kg
622200020	GARNET GLOW XL 200W DC36V-AC RGBW 4in1 IP66	200W	328x355x222	36V	15°, 20°, 30°, 15x60	RGBW	9kg
622200030	GARNET GLOW XL 200W AC100-264V RGBW 4in1 IP66	200W	328x355x222	220V	15°, 20°, 30°, 15x60	RGBW	9kg

GARNET GLOW ACCESSORIES

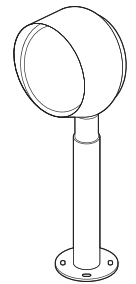
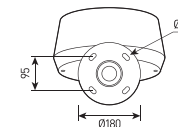


1 projector stem GARNET GLOW

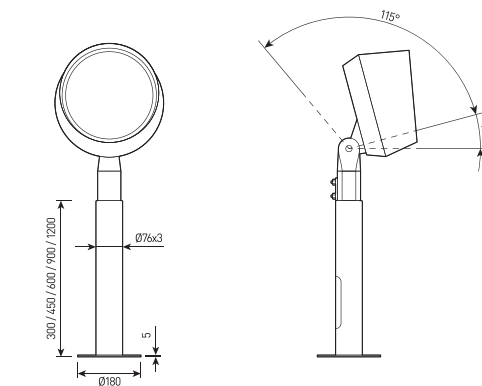
2 garnet glow bracket 120mm



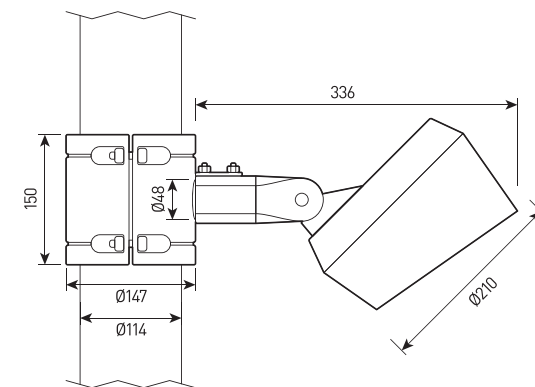
garnet glow bracket 120mm



1



2



GARNET GLOW ACCESSORIES

Multifunctional spotlight for architectural lighting. Multichip 4-in-1 RGB+W Tunable White with DMX-512 operated, mounting version: on surface, to pillar.



projector stem
Garnet Glow 300mm



projector stem
Garnet Glow 450mm



projector stem
Garnet Glow 600mm



projector stem
Garnet Glow 900mm



projector stem
Garnet Glow 1200mm

Article

Name

620030010	projector stem Garnet Glow 300mm
620045010	projector stem Garnet Glow 450mm
620060010	projector stem Garnet Glow 600mm
620090010	projector stem Garnet Glow 900mm
620120010	projector stem Garnet Glow 1200mm
620012010	bracket GLOW LXL 120mm

GARNET GLOW VISOR



type 3



type 4

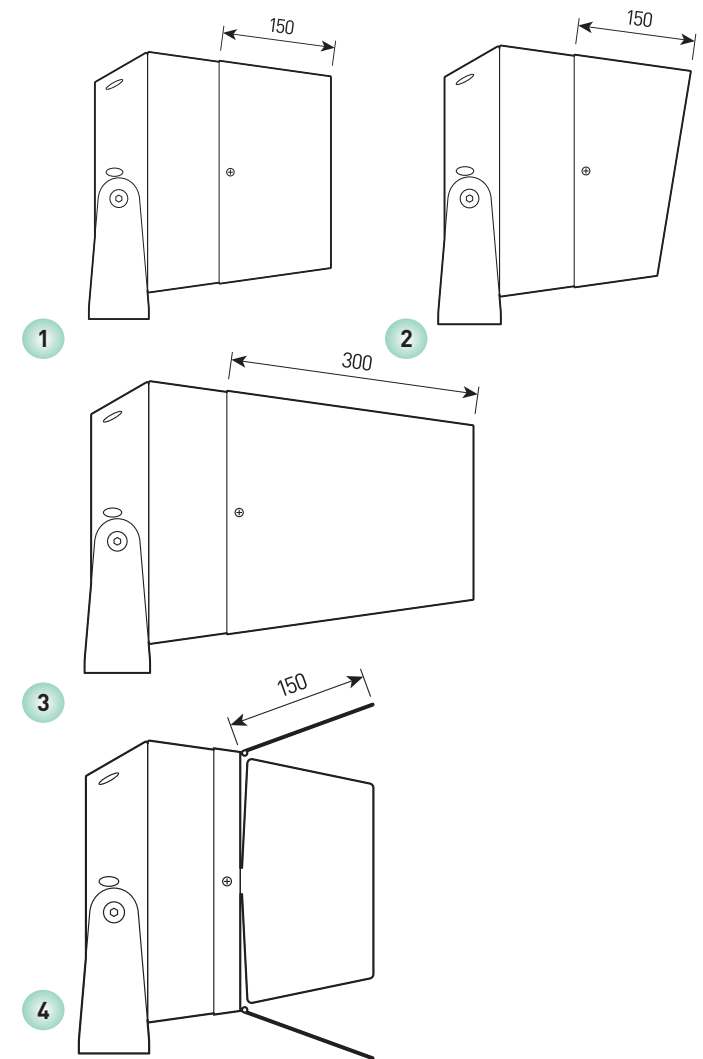


- 1 GARNET GLOW VISOR type 1
- 2 GARNET GLOW VISOR type 2
- 3 GARNET GLOW VISOR type 3
- 4 GARNET GLOW VISOR type 4

type 1



type 2



GARNET GLOW VISOR

Multifunctional spotlight for architectural lighting. Multichip 4-in-1 RGB+W Tunable White with DMX-512 operated, mounting version: on surface, to pillar.



Article

Name

- GARNET GLOW VISOR type 1
- GARNET GLOW VISOR type 2
- GARNET GLOW VISOR type 3
- GARNET GLOW VISOR type 4

GARNET LARK



view



RAL



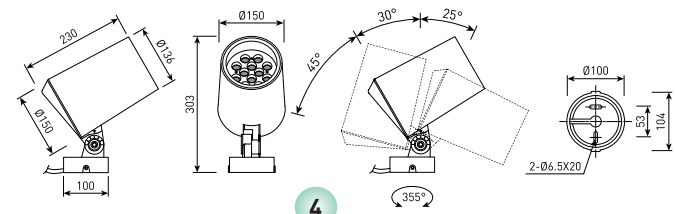
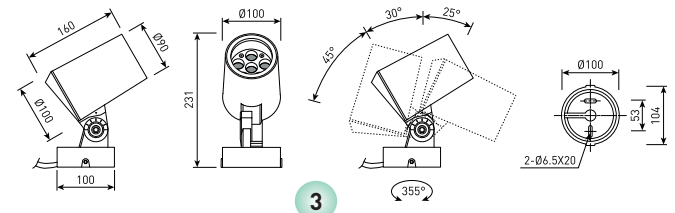
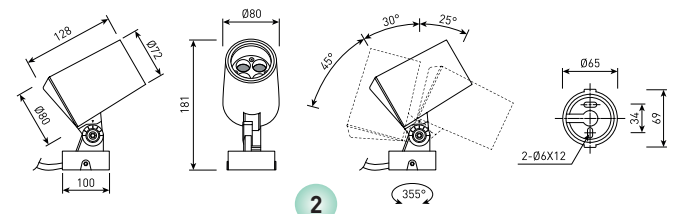
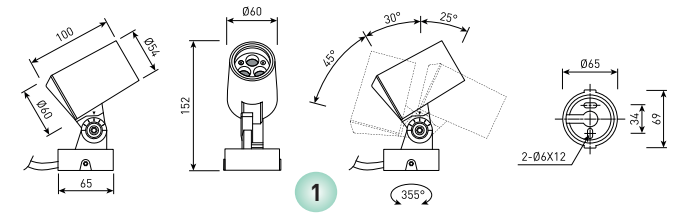
size

1 GARNET LARK S

2 GARNET LARK M

3 GARNET LARK L

4 GARNET LARK XL



GARNET LARK

Multifunctional spotlight for accent lighting.

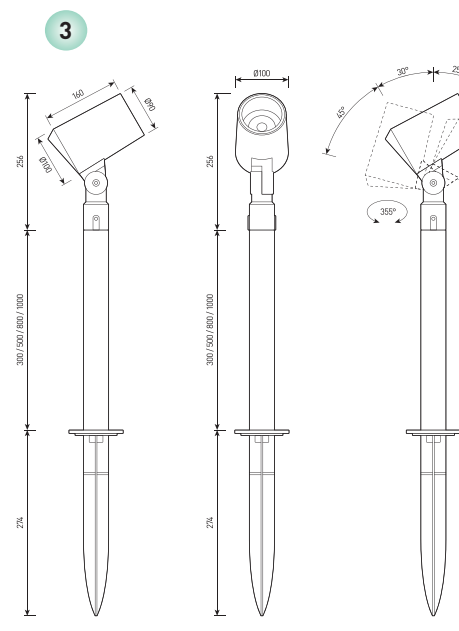
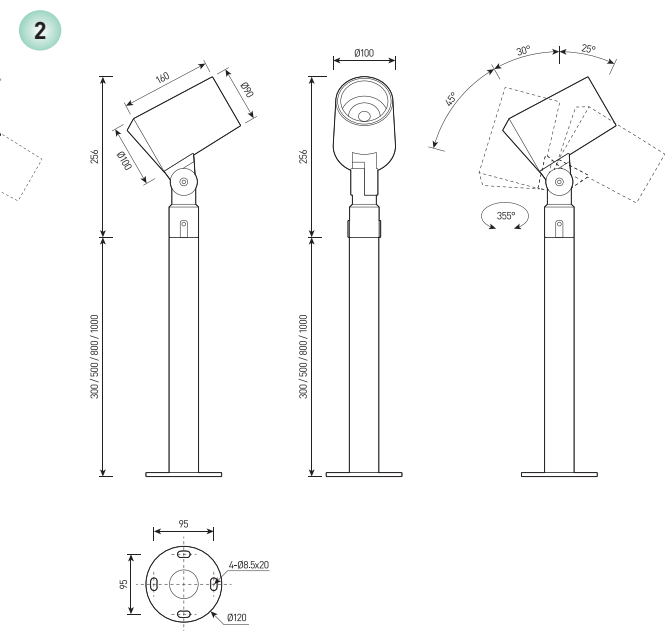
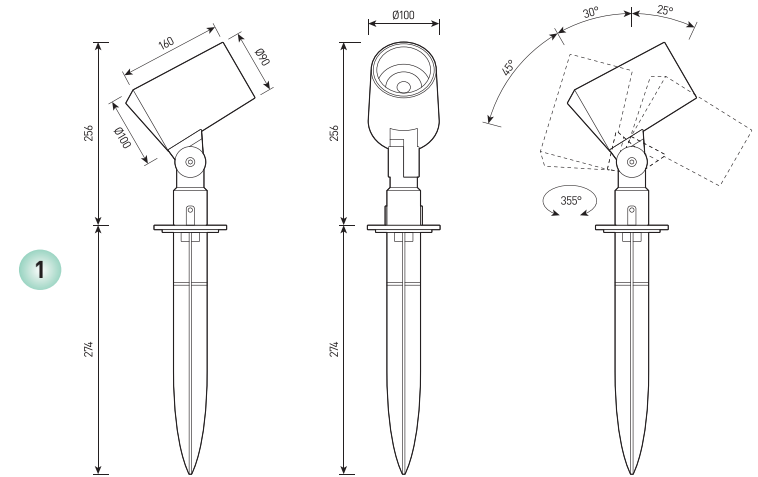
Housing:	Pressure die-cast aluminum alloy with polyester powder paint
Housing color:	Black, Grey, RAL
Beam angle:	6°, 12°, 15°, 25°, 30°, 40°, 45°, 60°
IES protection classes:	Class I (SELV)
Color temperature, K:	2700K, 3000K, 4000K, 5000K, 6000K, R, G, B, RGB 3in1, RGBW 4in1, Tunable white
Input voltage, V:	24V, 220V
Control system:	On/Off, 1-10V, DMX-512, TRIAC, DALI, RDM, PWM
Ingress Protection Rating, IP:	IP66
Operating temperature:	-40°C ~ +50°C
Weight:	0,7-4,5kg

Article	Name	Power, W	Dimensions, mm	Input voltage, V	Beam angle, degrees	Color temperature, K	Weight, kg
771016054	GARNET LARK S 7,5W 24V/220V IP66 Single Color	7,5W	d60x152	24V, 220V	6°, 12°, 25°, 40°, 60°	2700K, 3000K, 4000K, 5000K, 6000K, R, G, B	0,70
771016064	GARNET LARK S 9W RGB 3 in 1 DMX-512 24V IP66	9W	d60x152	24V	15°, 30°, 45°, 60°	RGB	0,70
771016074	GARNET LARK S 12W RGBW 4 in 1 DMX-512 24V IP66	12W	d60x152	24V	15°, 30°, 45°, 60°	RGBW	0,70
771016122	GARNET LARK M 10W 24V/220V IP66 Single Color	10W	d80x181	24V, 220V	6°, 12°, 25°, 40°, 60°	2700K, 3000K, 4000K, 5000K, 6000K, R, G, B	1,50
771016132	GARNET LARK M 12W RGB 3 in 1 DMX-512 24V IP66	12W	d80x181	24V	15°, 30°, 45°, 60°	RGB	1,50
771016142	GARNET LARK M 16W RGBW 4 in 1 DMX-512 24V IP66	16W	d80x181	24V	15°, 30°, 45°, 60°	RGBW	1,50
771016222	GARNET LARK L 18W 24V/220V IP66 Single Color	18W	d100x231	24V, 220V	6°, 12°, 25°, 40°, 60°	2700K, 3000K, 4000K, 5000K, 6000K, R, G, B	2,60
771016232	GARNET LARK L 18W RGB 3 in 1 DMX-512 24V IP66	18W	d100x231	24V	15°, 30°, 45°, 60°	RGB	2,60
771016241	GARNET LARK L 24W RGBW 4 in 1 DMX-512 24V IP66	24W	d100x231	24V	15°, 30°, 45°, 60°	RGBW	2,60
771016242	GARNET LARK XL 36W 24V/220V IP66 Single Color	36W	d150x303	24V, 220V	6°, 12°, 25°, 40°, 60°	2700K, 3000K, 4000K, 5000K, 6000K, R, G, B	4,50
771016252	GARNET LARK XL 36W RGB 3 in 1 DMX-512 24V IP66	36W	d150x303	24V	15°, 30°, 45°, 60°	RGB	4,50
771016262	GARNET LARK XL 48W RGBW 4 in 1 DMX-512 24V IP66	48W	d150x303	24V	15°, 30°, 45°, 60°	RGBW	4,50

GARNET LARK/STARLING ACCESSORIES



- 1 spike
- 2 pole 300/500/800
- 3 spike+pole



GARNET LARK/STARLING ACCESSORIES

Multifunctional spotlight for accent lighting.



GARNET LARK/ORIOLIS/
STARLING HONEY COMB



GARNET LARK ANGLE HOOD



Article

Name

800015114	GARNET LARK/ORIOLIS/STARLING POLE MOUNTING
800015115	GARNET LARK/ORIOLIS/STARLING SPIKE
800015116	GARNET LARK/ORIOLIS/STARLING POLE 300/500/800
800015117	GARNET LARK ANGLE HOOD
800015118	GARNET LARK/ORIOLIS/STARLING HONEY COMB

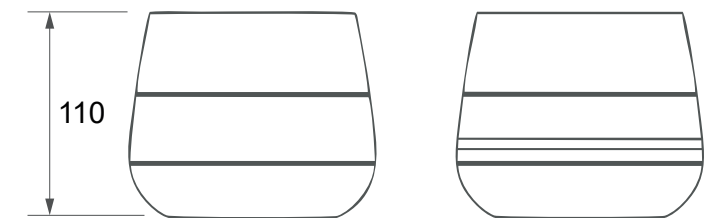
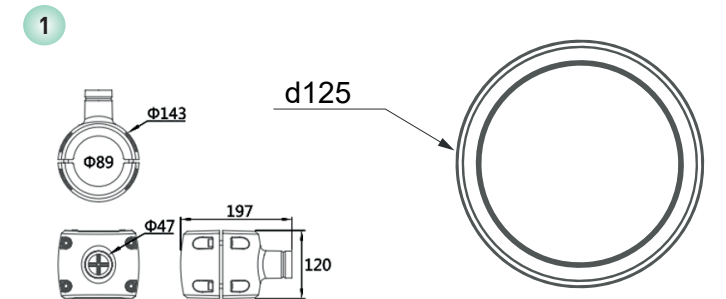
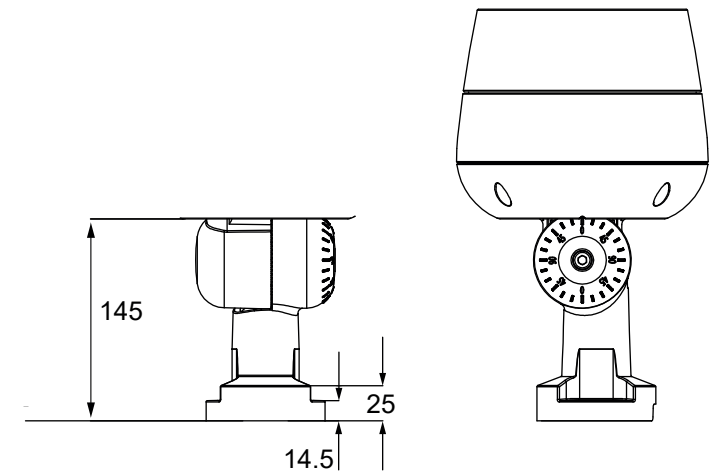
view



RAL



1 overall dimensions



ELFO XS

Multifunctional spotlight for architectural lighting with a wide range of power and optics for a variety of tasks. The "Target" insert dissipates the light, protecting the eyes from direct light and blinding.

Housing:	Pressure die-cast aluminum alloy with polyester powder paint
Fasteners:	stainless steel
Glass:	Tempered glass, T= 5 mm
Beam angle:	3.5°, 5°, 7°, 15°, 25°, 40°, 60°
Housing color:	Black, RAL
Color rendering index, CRI:	>70
Color temperature, K:	2700K, 3000K, 4000K, 5000K, RGB, RGBW
Input voltage, V:	220V
Control system:	Switch On\Off, DMX-512
Ingress Protection Rating, IP:	IP66
Operating temperature:	-40°C ~ +50°C

Article	Name	Power, W	Dimensions, mm	Input voltage, V	Beam angle, degrees	Color temperature, K	Weight, kg
731615012	ELFO XS 9W 2700K 220V IP66	9W	d125x110	220V	3,5°, 15°, 25°, 40°, 60°	2700K	1.4kg
731715012	ELFO XS 9W 3000K 220V IP66	9W	d125x110	220V	3,5°, 15°, 25°, 40°, 60°	3000K	1.4kg
731415012	ELFO XS 9W 4000K 220V IP66	9W	d125x110	220V	3,5°, 15°, 25°, 40°, 60°	4000K	1.4kg
731515012	ELFO XS 9W 5000K 220V IP66	9W	d125x110	220V	3,5°, 15°, 25°, 40°, 60°	5000K	1.4kg
731015012	ELFO XS 15W 2700K 220V IP66	15W	d125x110	220V	3,5°, 15°, 25°, 40°, 60°	2700K	1.4kg
731115012	ELFO XS 15W 3000K 220V IP66	15W	d125x110	220V	3,5°, 15°, 25°, 40°, 60°	3000K	1.4kg
731215012	ELFO XS 15W 4000K 220V IP66	15W	d125x110	220V	3,5°, 15°, 25°, 40°, 60°	4000K	1.4kg
731315012	ELFO XS 15W 5000K 220V IP66	15W	d125x110	220V	3,5°, 15°, 25°, 40°, 60°	5000K	1.4kg

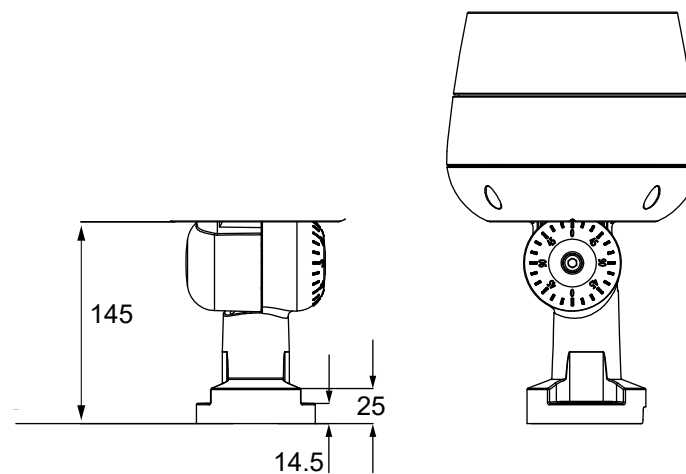
view



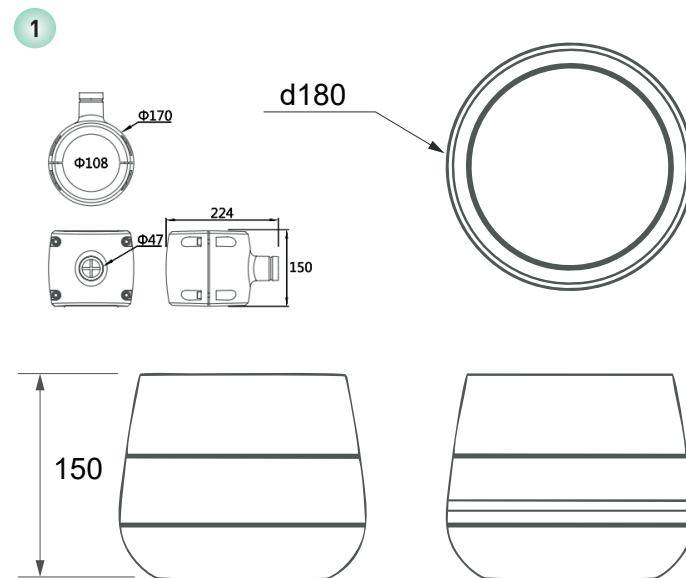
RAL



1 overall dimensions



size



ELFO S

Multifunctional spotlight for architectural lighting with a wide range of power and optics for a variety of tasks.

The "Target" insert dissipates the light, protecting the eyes from direct light and blinding.

Housing:	Pressure die-cast aluminum alloy with polyester powder paint
Fasteners:	stainless steel
Glass:	Tempered glass, T= 5 mm
Beam angle:	3.5°, 5°, 7°, 15°, 25°, 40°, 60°
Housing color:	Black, RAL
Color rendering index, CRI:	>70
Color temperature, K:	2700K, 3000K, 4000K, 5000K, RGB, RGBW
Input voltage, V:	220V
Control system:	Switch On\Off, DMX-512
Ingress Protection Rating, IP:	IP66
Operating temperature:	-40°C ~ +50°C

Article	Name	Power, W	Dimensions, mm	Input voltage, V	Beam angle, degrees	Color temperature, K	Weight, kg
731014012	ELFO S 14W DMX-512 220V IP66	14W	d180x150	220V	7°, 15°, 25°, 40°, 60°	3000K, 4000K, 5000K	2.3kg
731020009	ELFO S 20W DMX-512 220V IP66	20W	d180x150	220V	3,5°, 5°, 7°, 15°, 25°, 40°, 60°	3000K, 4000K, 5000K	2.3kg
731030009	ELFO S 30W DMX-512 220V IP66	30W	d180x150	220V	3,5°, 5°, 7°, 15°, 25°, 40°, 60°	3000K, 4000K, 5000K	2.3kg
731040018	ELFO S 40W DMX-512 220V IP66	40W	d180x150	220V	7°, 15°, 25°, 40°, 60°	3000K, 4000K, 5000K	2.3kg
731114012	ELFO S 14W RGB DMX-512 220V IP66	14W	d180x150	220V	7°, 15°, 25°, 40°, 60°	RGB	2.3kg
731120009	ELFO S 20W RGB DMX-512 220V IP66	20W	d180x150	220V	3,5°, 5°, 7°, 15°, 25°, 40°, 60°	RGB	2.3kg
731130009	ELFO S 30W RGB DMX-512 220V IP66	30W	d180x150	220V	3,5°, 5°, 7°, 15°, 25°, 40°, 60°	RGB	2.3kg
731140018	ELFO S 40W RGB DMX-512 220V IP66	40W	d180x150	220V	7°, 15°, 25°, 40°, 60°	RGB	2.3kg
731214012	ELFO S 14W RGBW DMX-512 220V IP66	14W	d180x150	220V	7°, 15°, 25°, 40°, 60°	RGBW	2.3kg
731220009	ELFO S 20W RGBW DMX-512 220V IP66	20W	d180x150	220V	3,5°, 5°, 7°, 15°, 25°, 40°, 60°	RGBW	2.3kg
731230009	ELFO S 30W RGBW DMX-512 220V IP66	30W	d180x150	220V	3,5°, 5°, 7°, 15°, 25°, 40°, 60°	RGBW	2.3kg
731240018	ELFO S 40W RGBW DMX-512 220V IP66	40W	d180x150	220V	7°, 15°, 25°, 40°, 60°	RGBW	2.3kg

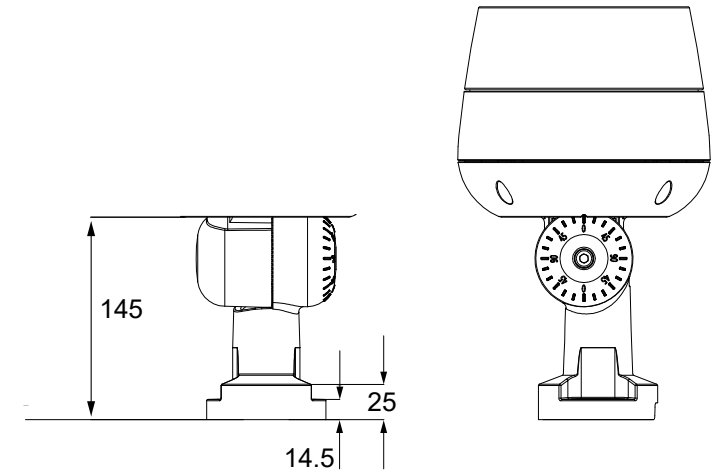
view



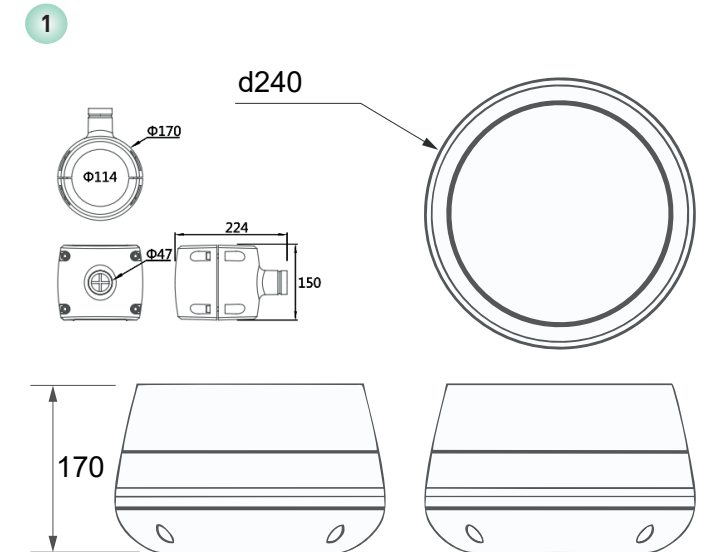
RAL



1 overall dimensions



size



ELFO M

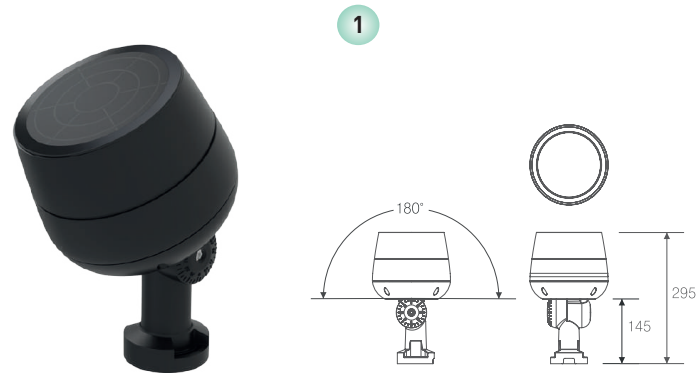
Multifunctional spotlight for architectural lighting with a wide range of power and optics for a variety of tasks.

The "Target" insert dissipates the light, protecting the eyes from direct light and blinding.

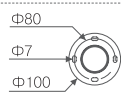
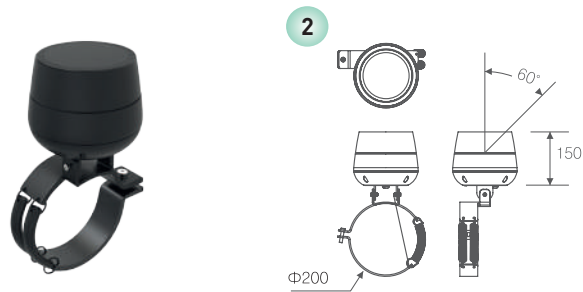
Housing:	Pressure die-cast aluminum alloy with polyester powder paint
Fasteners:	stainless steel
Glass:	Tempered glass, T= 5 mm
Beam angle:	3.5°, 5°, 7°, 15°, 25°, 40°, 60°
Housing color:	Black, RAL
Color rendering index, CRI:	>70
Color temperature, K:	2700K, 3000K, 4000K, 5000K, RGB, RGBW
Input voltage, V:	220V
Control system:	Switch On\Off, DMX-512
Ingress Protection Rating, IP:	IP66
Operating temperature:	-40°C ~ +50°C

Article	Name	Power, W	Dimensions, mm	Input voltage, V	Beam angle, degrees	Color temperature, K	Weight, kg
732040009	ELFO M 40W DMX-512 220V IP66	40W	d240x170	220V	7°, 15°, 25°, 40°, 60°	3000K, 4000K, 5000K	5.7kg
732055009	ELFO M 55W DMX-512 220V IP66	55W	d240x170	220V	3,5°, 5°, 7°, 15°, 25°, 40°, 60°	3000K, 4000K, 5000K	5.7kg
732060012	ELFO M 60W DMX-512 220V IP66	60W	d240x170	220V	3,5°, 5°, 7°, 15°, 25°, 40°, 60°	3000K, 4000K, 5000K	5.7kg
732080018	ELFO M 80W DMX-512 220V IP66	80W	d240x170	220V	7°, 15°, 25°, 40°, 60°	3000K, 4000K, 5000K	5.7kg
732012020	ELFO M 120W DMX-512 220V IP66	120W	d240x170	220V	7°, 15°, 25°, 40°, 60°	3000K, 4000K, 5000K	5.7kg
732140009	ELFO M 40W RGB DMX-512 220V IP66	40W	d240x170	220V	7°, 15°, 25°, 40°, 60°	RGB	5.7kg
732155009	ELFO M 55W RGB DMX-512 220V IP66	55W	d240x170	220V	3,5°, 5°, 7°, 15°, 25°, 40°, 60°	RGB	5.7kg
732160012	ELFO M 60W RGB DMX-512 220V IP66	60W	d240x170	220V	3,5°, 5°, 7°, 15°, 25°, 40°, 60°	RGB	5.7kg
732180018	ELFO M 80W RGB DMX-512 220V IP66	80W	d240x170	220V	7°, 15°, 25°, 40°, 60°	RGB	5.7kg
732240009	ELFO M 40W RGBW DMX-512 220V IP66	40W	d240x170	220V	7°, 15°, 25°, 40°, 60°	RGBW	5.7kg
732260012	ELFO M 60W RGBW DMX-512 220V IP66	60W	d240x170	220V	3,5°, 5°, 7°, 15°, 25°, 40°, 60°	RGBW	5.7kg
732280018	ELFO M 80W RGBW DMX-512 220V IP66	80W	d240x170	220V	7°, 15°, 25°, 40°, 60°	RGBW	5.7kg
732212020	ELFO M 120W RGBW DMX-512 220V IP66	120W	d240x170	220V	7°, 15°, 25°, 40°, 60°	RGBW	5.7kg

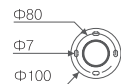
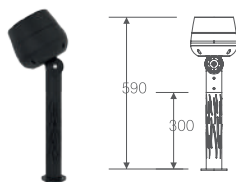
ELFO ACCESSORIES \ ELFO HOLDERS



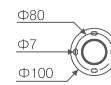
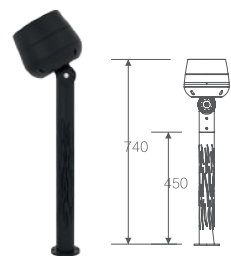
- 1 Projector stem ELFO S/M
- 2 Bracket ELFO S/M
- 3 Ground cup ELFO S/M
- 4 Stem ELFO S/M 300 mm
- 5 Stem ELFO S/M 450 mm
- 6 Stem ELFO S/M 600 mm



4



5



6



ELFO ACCESSORIES \ ELFO HOLDERS

Multifunctional spotlight for architectural lighting with a wide range of power and optics for a variety of tasks.
The "Target" insert dissipates the light, protecting the eyes from direct light and blinding.

Article	Name
735110011	projector stem ELFO S
739110011	projector stem ELFO M
736110011	ground cup ELFO S
740110011	ground cup ELFO M
733110011	bracket ELFO S d100
737110011	bracket ELFO M d100
733220011	bracket ELFO S d200
737220011	bracket ELFO M d200
734110590	stem ELFO S 300mm
738110590	stem ELFO M 300mm
734110740	stem ELFO S 450mm
738110740	stem ELFO M 450mm
734110890	stem ELFO S 600mm
738110890	stem ELFO M 600mm

GARNET GLOWBOX XS



view

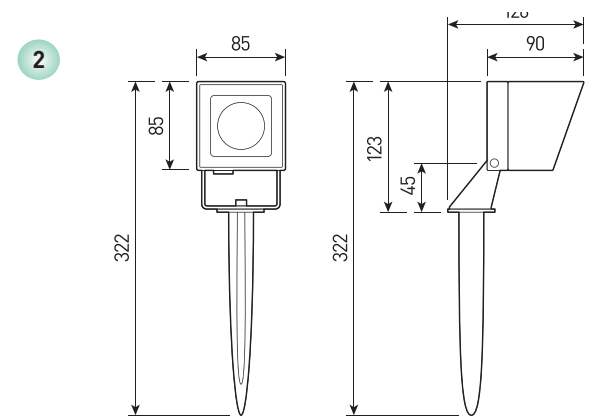
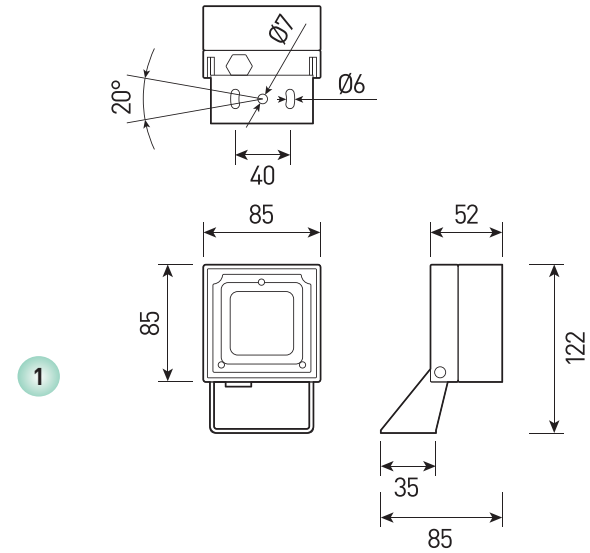


1 GARNET GLOWBOX XS bracket

2 GARNET GLOWBOX XS spike



size



GARNET GLOWBOX XS

Multifunctional spotlight for architectural lighting.

Multichip 4-in-1 RGB+W Tunable White with DMX-512 operated, mounting version: on surface, to pillar

Housing:	Pressure die-cast aluminum alloy with polyester powder paint.
Housing color:	Black, Grey, RAL
Beam angle:	2.5°, 4.5°, 8°, 12°, 15°, 20°, 30°, 45°, 60°, 10x70°, 5x20°, 15x60°
IES protection classes:	Class I (SELV)
Color temperature, K:	2700K, 3000K, 4000K, 5000K, 6000K, R, G, B, RGB 3in1, RGBW 4in1, Tunable white
Input voltage, V:	36V, 220V
Control system:	On/Off, 1-10V, DMX-512, DALI, PWM, RDM
Ingress Protection Rating, IP:	IP66
Operating temperature:	-40°C ~ +50°C
Weight:	1,1-9,0 kg

Article	Name	Power, W	Dimensions, mm	Input voltage, V	Beam angle, degrees	Color temperature, K	Weight, kg
622200032	GARNET GLOWBOX XS 10W 24V/220V IP66 Single Color	10W	85x85x90	36V, 220V	2.5°, 4.5°, 8°, 12°, 20°, 30°, 45°, 60°, 10x70°, 5x20°	2700K, 3000K, 4000K, 5000K, 6000K, R, G, B	1,60
622200034	GARNET GLOWBOX XS 8W 24V RGBW 4in1 IP66	8W	85x85x90	36V	8°, 15°, 20°, 30°, 15x60°	RGBW	1,60

GARNET GLOWBOX S



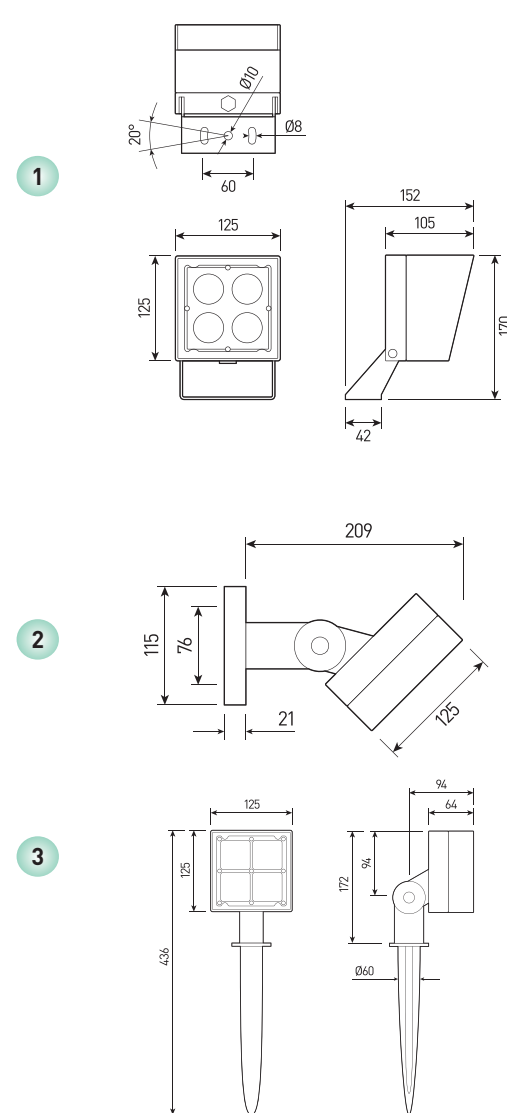
view



- 1 GARNET GLOWBOX S bracket
- 2 GARNET GLOWBOX S pole mount
- 3 GARNET GLOWBOX S spike



size



GARNET GLOWBOX S

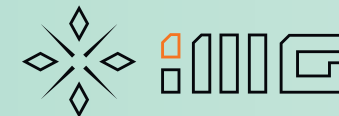
Multifunctional spotlight for architectural lighting.

Multichip 4-in-1 RGB+W Tunable White with DMX-512 operated, mounting version: on surface, to pillar

Housing:	Pressure die-cast aluminum alloy with polyester powder paint.
Housing color:	Black, Grey, RAL
Beam angle:	2.5°, 4.5°, 8°, 12°, 15°, 20°, 30°, 45°, 60°, 10x70°, 5x20°, 15x60°
IES protection classes:	Class I (SELV)
Color temperature, K:	2700K, 3000K, 4000K, 5000K, 6000K, R, G, B, RGB 3in1, RGBW 4in1, Tunable white
Input voltage, V:	36V, 220V
Control system:	On/Off, 1-10V, DMX-512, DALI, PWM, RDM
Ingress Protection Rating, IP:	IP66
Operating temperature:	-40°C ~ +50°C
Weight:	1,1-9,0 kg

Article	Name	Power, W	Dimensions, mm	Input voltage, V	Beam angle, degrees	Color temperature, K	Weight, kg
622200036	GARNET GLOWBOX S 20W 24V/220V IP66 Single Color	20W	125x125x105	36V, 220V	2.5°, 4.5°, 8°, 12°, 20°, 30°, 45°, 60°, 10x70°, 5x20°	2700K, 3000K, 4000K, 5000K, 6000K, R, G, B	2,20
622200038	GARNET GLOWBOX S 30W 24V RGBW 4in1 IP66	30W	125x125x105	36V	8°, 15°, 20°, 30°, 15x60°	RGBW	2,20

GARNET GLOWBOX M



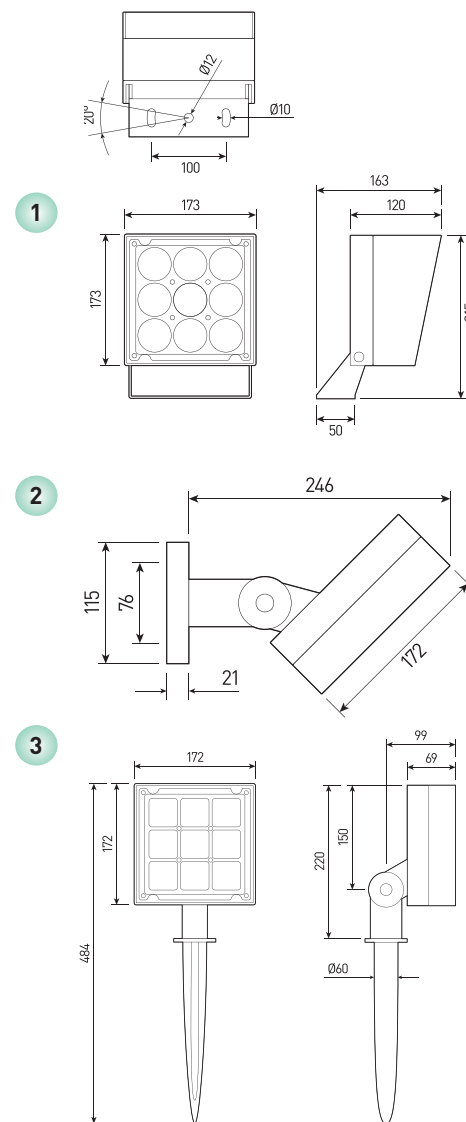
view



- 1 GARNET GLOWBOX M bracket
- 2 GARNET GLOWBOX M pole mount
- 3 GARNET GLOWBOX M spike



size



GARNET GLOWBOX M

Multifunctional spotlight for architectural lighting.

Multichip 4-in-1 RGB+W Tunable White with DMX-512 operated, mounting version: on surface, to pillar

Housing:	Pressure die-cast aluminum alloy with polyester powder paint.
Housing color:	Black, Grey, RAL
Beam angle:	2.5°, 4.5°, 8°, 12°, 15°, 20°, 30°, 45°, 60°, 10x70°, 5x20°, 15x60°
IES protection classes:	Class I (SELV)
Color temperature, K:	2700K, 3000K, 4000K, 5000K, 6000K, R, G, B, RGB 3in1, RGBW 4in1, Tunable white
Input voltage, V:	36V, 220V
Control system:	On/Off, 1-10V, DMX-512, DALI, PWM, RDM
Ingress Protection Rating, IP:	IP66
Operating temperature:	-40°C ~ +50°C
Weight:	1,1-9,0 kg

Article	Name	Power, W	Dimensions, mm	Input voltage, V	Beam angle, degrees	Color temperature, K	Weight, kg
622200040	GARNET GLOWBOX M 45W 24V/220V IP66 Single Color	45W	173x173x120	36V, 220V	2.5°, 4.5°, 8°, 12°, 20°, 30°, 45°, 60°, 10x70°, 5x20°	2700K, 3000K, 4000K, 5000K, 6000K, R, G, B	3,70
622200042	GARNET GLOWBOX M 60W 24V RGBW 4in1 IP66	60W	173x173x120	36V	8°, 15°, 20°, 30°, 15x60°	RGBW	3,70

GARNET GLOWBOX L/XL



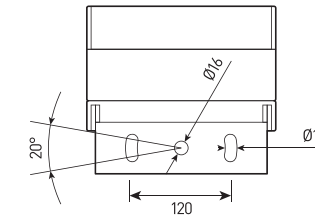
view



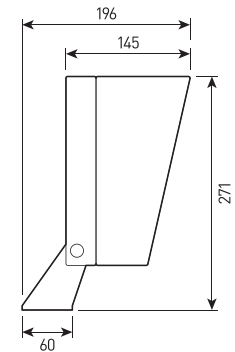
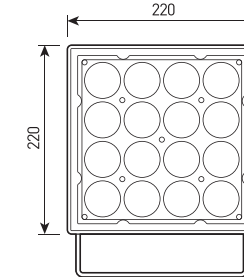
1 GARNET GLOWBOX L

2 GARNET GLOWBOX XL

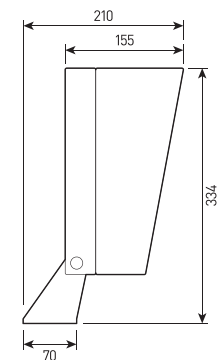
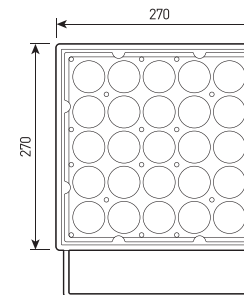
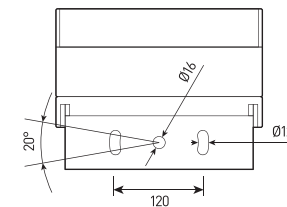
size



1



2



GARNET GLOWBOX L/XL

Multifunctional spotlight for architectural lighting.

Multichip 4-in-1 RGB+W Tunable White with DMX-512 operated, mounting version: on surface, to pillar

Housing:	Pressure die-cast aluminum alloy with polyester powder paint.
Housing color:	Black, Grey, RAL
Beam angle:	2.5°, 4.5°, 8°, 12°, 15°, 20°, 30°, 45°, 60°, 10x70°, 5x20°, 15x60°
IES protection classes:	Class I (SELV)
Color temperature, K:	2700K, 3000K, 4000K, 5000K, 6000K, R, G, B, RGB 3in1, RGBW 4in1, Tunable white
Input voltage, V:	36V, 220V
Control system:	On/Off, 1-10V, DMX-512, DALI, PWM, RDM
Ingress Protection Rating, IP:	IP66
Operating temperature:	-40°C ~ +50°C
Weight:	1,1-9,0 kg

Article	Name	Power, W	Dimensions, mm	Input voltage, V	Beam angle, degrees	Color Temperature, K	Weight, kg
622200044	GARNET GLOWBOX L 75W 24V/220V IP66 Single Color	75W	220x220x145	36V/220V	2.5°, 4.5°, 8°, 12°, 20°, 30°, 45°, 60°, 10x70°, 5x20°	2700K, 3000K, 4000K, 5000K, 6000K, R, G, B	6,20
622200046	GARNET GLOWBOX L 100W 24V RGBW 4in1 IP66	100W	220x220x145	36V	8°, 15°, 20°, 30°, 15x60°	RGBW	6,20
622200048	GARNET GLOWBOX XL 120W 24V/220V IP66 Single Color	120W	270x270x155	36V/220V	2.5°, 4.5°, 8°, 12°, 20°, 30°, 45°, 60°, 10x70°, 5x20°	2700K, 3000K, 4000K, 5000K, 6000K, R, G, B	9,00
622200050	GARNET GLOWBOX XL 150W 24V/220V IP66 Single Color	150W	270x270x155	36V/220V	2.5°, 4.5°, 8°, 12°, 20°, 30°, 45°, 60°, 10x70°, 5x20°	2700K, 3000K, 4000K, 5000K, 6000K, R, G, B	9,00
622200052	GARNET GLOWBOX XL 150W 24V RGBW 4in1 IP66	150W	270x270x155	36V	8°, 15°, 20°, 30°, 15x60°	RGBW	9,00
622200054	GARNET GLOWBOX XL 200W 24V RGBW 4in1 IP66	200W	270x270x155	36V	8°, 15°, 20°, 30°, 15x60°	RGBW	9,00

LIBRA TRACKER S



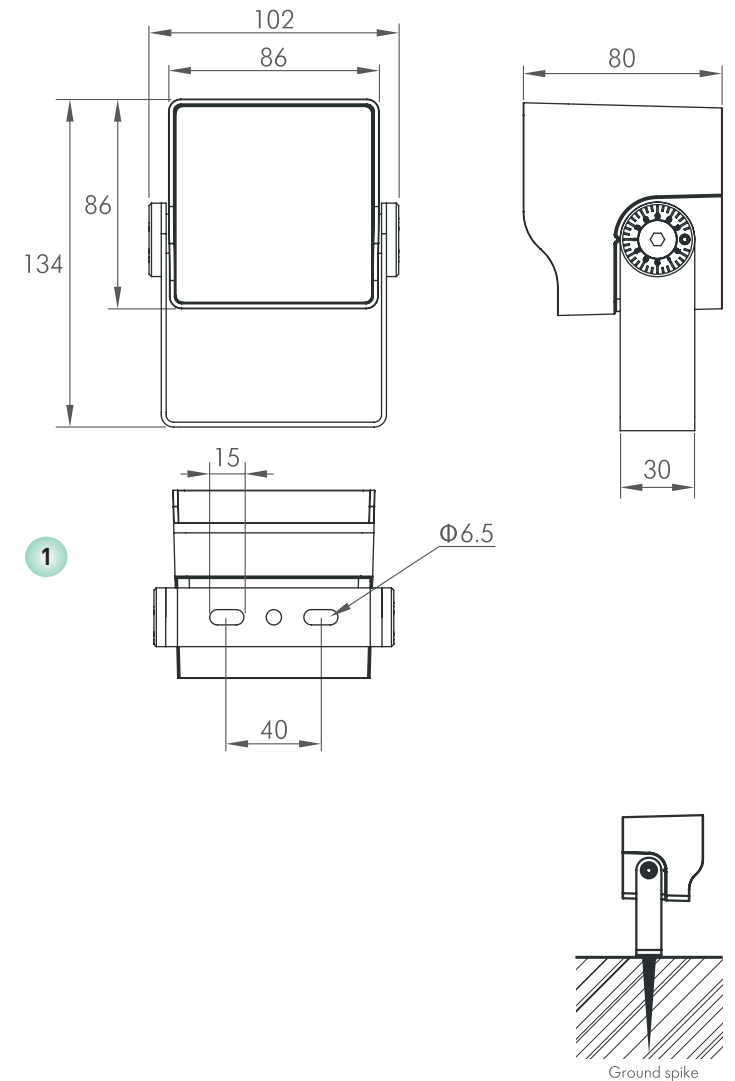
view



RAL



1 overall dimensions



size

LIBRA TRACKER S

Series of led projectors made of aluminium alloys with variable angle of the light beam.

Housing:	Pressure die-cast aluminum alloy with polyester powder paint.
Optical system:	Leds, lenses and reflector
Beam angle:	3,5°, 15°, 25°, 40°, 60°
Housing color:	Grey, RAL
Color rendering index, CRI:	>70
Color temperature, K:	3000K, 4000K, 5000K
Input voltage, V:	24V, 220V
IK:	08
Control system:	Switch On\Off, DMX-512
Ingress Protection Rating, IP:	IP66

Article	Name	Power, W	Dimensions, mm	Input voltage, V	Beam angle, degrees	Color temperature, K	Weight, kg
763011220	LIBRA Tracker S 1W 220V IP66	1W	86x80x134	220V AC	15°, 25°, 40°, 60°	3000K, 4000K, 5000K	0.8kg
763021220	LIBRA Tracker S 2W 220V IP66 3,5D	2W	86x80x134	220V AC	3,5°	3000K, 4000K, 5000K	0.8kg
763031220	LIBRA Tracker S 3W 220V IP66	3W	86x80x134	220V AC	15°, 25°, 40°, 60°	3000K, 4000K, 5000K	0.8kg
763041220	LIBRA Tracker S 4W 220V IP66 3,5D	4W	86x80x134	220V AC	3,5°	3000K, 4000K, 5000K	0.8kg
763061220	LIBRA Tracker S 6W 220V IP66	6W	86x80x134	220V AC	15°, 25°, 40°, 60°	3000K, 4000K, 5000K	0.8kg
763091220	LIBRA Tracker S 9W 220V IP66	9W	86x80x134	220V AC	15°, 25°, 40°, 60°	3000K, 4000K, 5000K	0.8kg
763011024	LIBRA Tracker S 1W 24V IP66	1W	86x80x134	24V DC	15°, 25°, 40°, 60°	3000K, 4000K, 5000K	0.8kg
763021024	LIBRA Tracker S 2W 24V IP66 3,5D	2W	86x80x134	24V DC	3,5°	3000K, 4000K, 5000K	0.8kg
763031024	LIBRA Tracker S 3W 24V IP66	3W	86x80x134	24V DC	15°, 25°, 40°, 60°	3000K, 4000K, 5000K	0.8kg
763041024	LIBRA Tracker S 4W 24V IP66 3,5D	4W	86x80x134	24V DC	3,5°	3000K, 4000K, 5000K	0.8kg
763061024	LIBRA Tracker S 6W 24V IP66	6W	86x80x134	24V DC	15°, 25°, 40°, 60°	3000K, 4000K, 5000K	0.8kg
763091024	LIBRA Tracker S 9W 24V IP66	9W	86x80x134	24V DC	15°, 25°, 40°, 60°	3000K, 4000K, 5000K	0.8kg
707113333	Ground Spike LIBRA Tracker S	-	Φ60x200	-	-	-	0.11kg

LIBRA TRACKER M



view



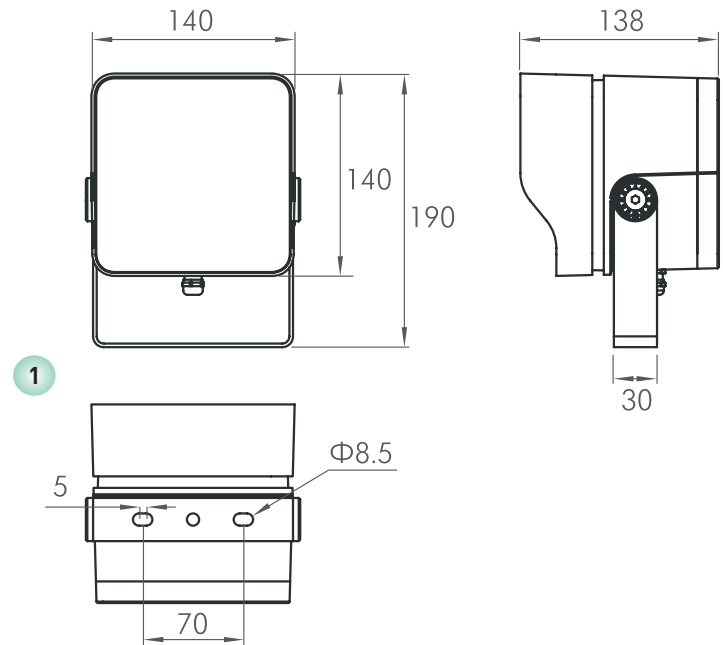
RAL



1 overall dimensions



size



LIBRA TRACKER M

Series of led projectors made of aluminium alloys with variable angle of the light beam.

Housing:	Pressure die-cast aluminum alloy with polyester powder paint.
Optical system:	Leds, lenses and reflector
Beam angle:	3.5°, 15°, 25°, 40°, 60°
Housing color:	Grey, RAL
Color rendering index, CRI:	>70
Color temperature, K:	3000K, 4000K, 5000K
Input voltage, V:	24V, 220V
IK:	08
Control system:	Switch On\Off, DMX-512
Ingress Protection Rating, IP:	IP66

Article	Name	Power, W	Dimensions, mm	Input voltage, V	Beam angle, degrees	Color temperature, K	Weight, kg
764121220	LIBRA Tracker M 12W 220V IP66	12W	140x138x190	220V AC	7, 15, 25, 40, 60, 80x120	3000K, 4000K, 5000K	2.5kg
764201220	LIBRA Tracker M 20W 220V IP66	20W	140x138x190	220V AC	3.5, 5, 7, 15, 25, 40, 60, 80x120*	3000K, 4000K, 5000K	2.5kg
764271220	LIBRA Tracker M 27W 220V IP66	27W	140x138x190	220V AC	7, 15, 25, 40, 60, 80x120*	3000K, 4000K, 5000K	2.5kg
764301220	LIBRA Tracker M 30W 220V IP66	30W	140x138x190	220V AC	3.5, 5, 7, 15, 25, 40, 60, 80x120*	3000K, 4000K, 5000K	2.5kg
764401220	LIBRA Tracker M 40W 220V IP66	40W	140x138x190	220V AC	7, 15, 25, 40, 60, 80x120*	3000K, 4000K, 5000K	2.5kg
764122220	LIBRA Tracker M 12W RGB 220V IP66	12W	140x138x190	220V AC	7, 15, 25, 40, 60, 80x120*	RGB	2.5kg
764202220	LIBRA Tracker M 20W RGB 220V IP66	20W	140x138x190	220V AC	3.5, 5, 7, 15, 25, 40, 60, 80x120*	RGB	2.5kg
764272220	LIBRA Tracker M 27W RGB 220V IP66	27W	140x138x190	220V AC	7, 15, 25, 40, 60, 80x120*	RGB	2.5kg
764302220	LIBRA Tracker M 30W RGB 220V IP66	30W	140x138x190	220V AC	3.5, 5, 7, 15, 25, 40, 60, 80x120*	RGB	2.5kg
764402220	LIBRA Tracker M 40W RGB 220V IP66	40W	140x138x190	220V AC	7, 15, 25, 40, 60, 80x120*	RGB	2.5kg

LIBRA TRACKER L



view

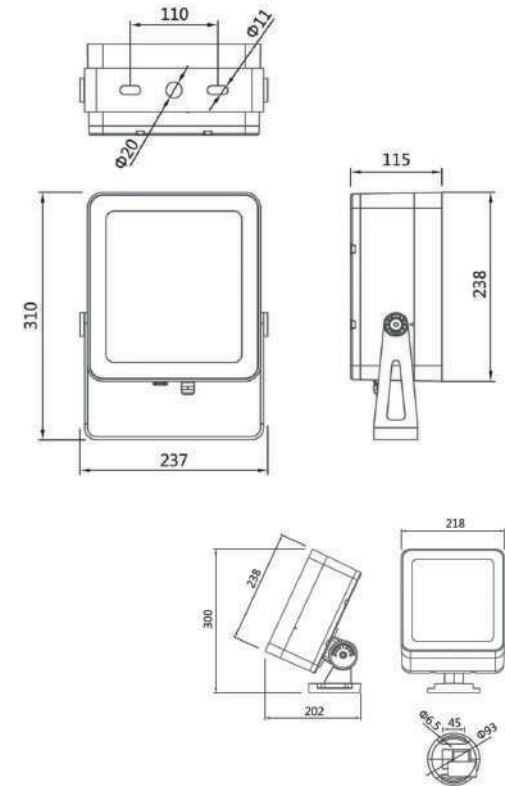


RAL



size

1 overall dimensions



1

LIBRA TRACKER L

Series of led projectors made of aluminium alloys with variable angle of the light beam.

Housing:	Pressure die-cast aluminum alloy with polyester powder paint.
Optical system:	Leds, lenses and reflector
Beam angle:	4°, 7°, 15°, 25°, 40°, 60°
Housing color:	Grey, RAL
Color rendering index, CRI:	>70
Color temperature, K:	3000K, 4000K, 5000K, RGBW
Input voltage, V:	220V
IK:	08
Power factor (PF):	0.9
Control system:	Switch On\Off, DMX-512
Ingress Protection Rating, IP:	IP66
Operating temperature:	-40°C ~ +50°C
Guaranteed lifetime, hours:	>50 000h

Article	Name	Power, W	Dimensions, mm	Input voltage, V	Beam angle, degrees	Color temperature, K	Weight, kg
765060010	LIBRA Tracker L 60W 220V IP66	60W	237x310x115\ 218x300x202	220V	4°, 7, 15, 25, 40, 60	3000K, 4000K, 5000K	5.8kg
765080010	LIBRA Tracker L 80W 220V IP66	80W	237x310x115\ 218x300x202	220V	7, 15, 25, 40, 60	3000K, 4000K, 5000K	5.8kg
765120010	LIBRA Tracker L 120W 220V IP66	120W	237x310x115\ 218x300x202	220V	7, 15, 25, 40, 60	3000K, 4000K, 5000K	5.8kg
765060020	LIBRA Tracker L 60W RGBW 220V IP66	60W	237x310x115\ 218x300x202	220V	4°, 7, 15, 25, 40, 60	RGBW	5.8kg
765080020	LIBRA Tracker L 80W RGBW 220V IP66	80W	237x310x115\ 218x300x202	220V	7, 15, 25, 40, 60	RGBW	5.8kg
765120020	LIBRA Tracker L 120W RGBW 220V IP66	120W	237x310x115\ 218x300x202	220V	7, 15, 25, 40, 60	RGBW	5.8kg

GARNET STARLING



view



RAL

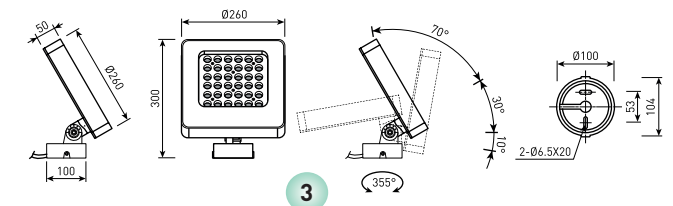
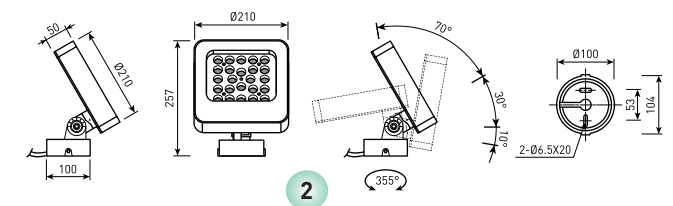
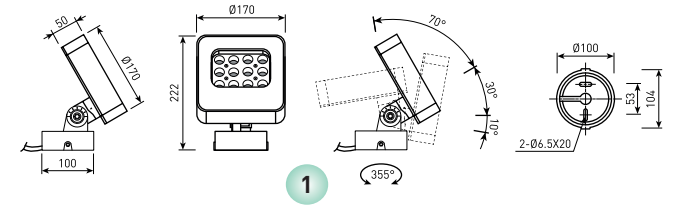


1 GARNET STARLING S

2 GARNET STARLING M

3 GARNET STARLING L

size



GARNET STARLING

Multifunctional spotlight for accent lighting.

Housing:	Pressure die-cast aluminum alloy with polyester powder paint
Housing color:	Black, Grey, RAL
Beam angle:	6°, 12°, 15°, 25°, 30°, 40°, 45°, 60°
IES protection classes:	Class I (SELV)
Color temperature, K:	2700K, 3000K, 4000K, 5000K, 6000K, R, G, B, RGB 3in1, RGBW 4in1, Tunable white
Input voltage, V:	24V, 220V
Control system:	On/Off, 1-10V, DMX-512, TRIAC, DALI, RDM, PWM
Ingress Protection Rating, IP:	IP66
Operating temperature:	-40°C ~ +50°C
Weight:	2,2-2,8kg

Article	Name	Power, W	Dimensions, mm	Input voltage, V	Beam angle, degrees	Color temperature, K	Weight, kg
771036024	GARNET STARLING M 24W 24V/220V IP66 Single Color	24W	170x50x222	24V, 220V	6°, 12°, 25°, 40°, 60°	2700K, 3000K, 4000K, 5000K, 6000K, R, G, B	2,20
771036034	GARNET STARLING M 36W RGB 3 in 1 DMX-512 24V IP66	36W	170x50x222	24V	15°, 30°, 45°, 60°	RGB	2,20
771036044	GARNET STARLING M 48W RGBW 4 in 1 DMX-512 24V IP66	48W	170x50x222	24V	15°, 30°, 45°, 60°	RGBW	2,20
771036054	GARNET STARLING L 36W 24V/220V IP66 Single Color	36W	210x50x257	24V, 220V	6°, 12°, 25°, 40°, 60°	2700K, 3000K, 4000K, 5000K, 6000K, R, G, B	2,60
771036064	GARNET STARLING L 72W RGB 3 in 1 DMX-512 24V IP66	72W	210x50x257	24V	15°, 30°, 45°, 60°	RGB	2,60
771036074	GARNET STARLING L 96W RGBW 4 in 1 DMX-512 24V IP66	96W	210x50x257	24V	15°, 30°, 45°, 60°	RGBW	2,60
771036084	GARNET STARLING XL 54W 24V/220V IP66 Single Color	54W	260x50x300	24V, 220V	6°, 12°, 25°, 40°, 60°	2700K, 3000K, 4000K, 5000K, 6000K, R, G, B	2,80
771036094	GARNET STARLING XL 108W RGB 3 in 1 DMX-512 24V IP66	108W	260x50x300	24V	15°, 30°, 45°, 60°	RGB	2,80
771036104	GARNET STARLING XL 144W RGBW 4 in 1 DMX-512 24V IP66	144W	260x50x300	24V	15°, 30°, 45°, 60°	RGBW	2,80

PISTOL S/M



view



RAL

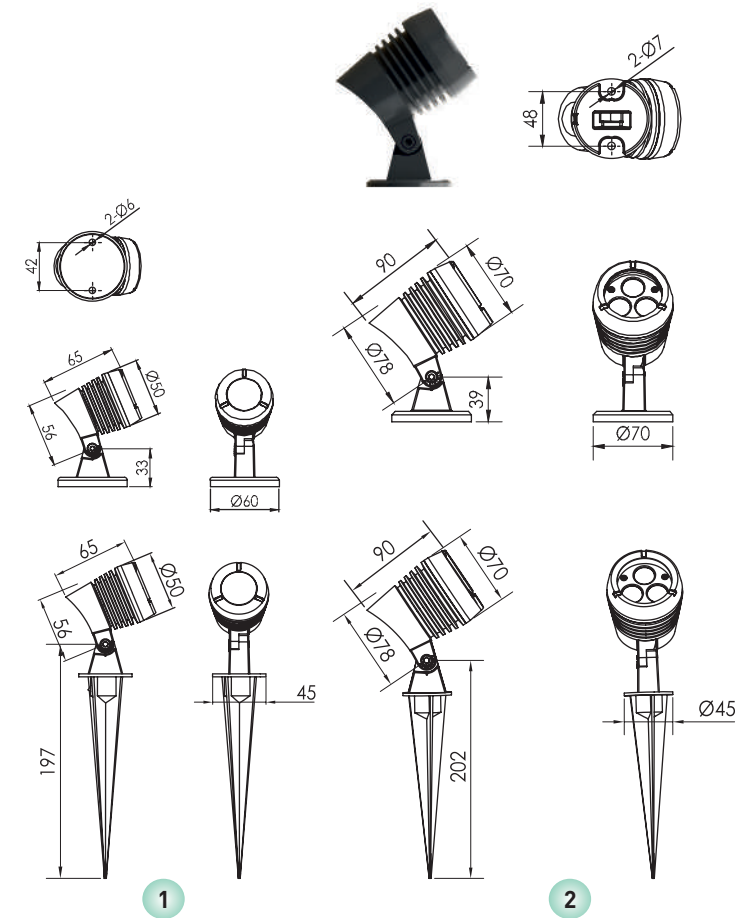


1 PISTOL S

2 PISTOL M



size



PISTOL S/M

The floodlight Pistol for accent lighting.

Housing:	Pressure die-cast aluminum alloy with polyester powder paint.
Beam angle:	S: 15°, 28° M: 5°, 12.5°, 20°, 30°, 45°, 60°, 15x30°, 10x60°
Housing color:	Black, RAL
IES protection classes:	Class I (SELV)
Color temperature, K:	2700K, 3000K, 4000K, 5000K, 6500K, Red, Green, Blue
Input voltage, V:	24V, 220V
Control system:	Switch On\Off
Ingress Protection Rating, IP:	IP65
Operating temperature:	-40°C ~ +50°C
Guaranteed lifetime, hours:	>50 000h

Article	Name	Power, W	Dimensions, mm	Input voltage, V	Beam angle, degrees	Color temperature, K	Weight, kg
762002025	PISTOL S 1,5W 24V IP65 Ground / Wall	1,5W	d50x65x89	24V	15°, 28°	Red/Green/Blue/2700K, 3000K, 4000K, 5000K, 6500K	0.5kg
762002026	PISTOL S 1,5W 220V IP65 Ground / Wall	1,5W	d50x65x89	220V	15°, 28°	Red/Green/Blue/2700K, 3000K, 4000K, 5000K, 6500K	0.5kg
762003035	PISTOL S 3W 24V IP65 Ground / Wall	3W	d50x65x89	24V	15°, 28°	Red/Green/Blue/2700K, 3000K, 4000K, 5000K, 6500K	0.5kg
762003036	PISTOL S 3W 220V IP65 Ground / Wall	3W	d50x65x89	220V	15°, 28°	Red/Green/Blue/2700K, 3000K, 4000K, 5000K, 6500K	0.5kg
762006045	PISTOL M 6W 24V IP65 Ground / Wall	6W	d70x90x117	24V	5°, 12.5°, 20°, 30°, 45°, 60°, 15x30°, 10x60°	Red/Green/Blue/2700K, 3000K, 4000K, 5000K, 6500K	0.8kg
762006046	PISTOL M 6W 220V IP65 Ground / Wall	6W	d70x90x117	220V	5°, 12.5°, 20°, 30°, 45°, 60°, 15x30°, 10x60°	Red/Green/Blue/2700K, 3000K, 4000K, 5000K, 6500K	0.8kg

PISTOL L



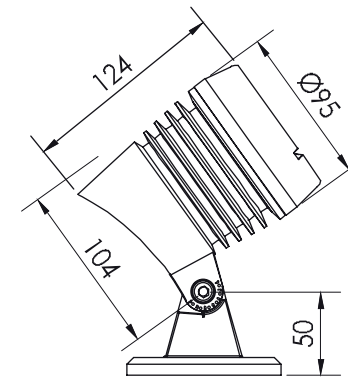
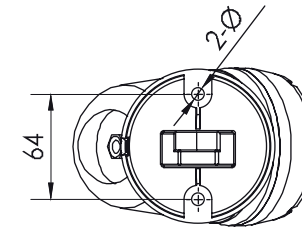
view



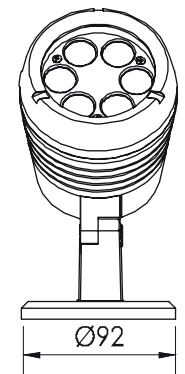
RAL



1 overall dimensions



1



size

PISTOL L

The floodlight Pistol for accent lighting.

Housing:	Pressure die-cast aluminum alloy with polyester powder paint.
Beam angle:	5°, 12.5°, 20°, 30°, 45°, 60°, 15x30°, 10x60°
Housing color:	Black, RAL
IES protection classes:	Class I (SELV)
Color temperature, K:	2700K, 3000K, 4000K, 5000K, 6500K, Red, Green, Blue
Input voltage, V:	24V, 220V
Control system:	Switch On\Off
Ingress Protection Rating, IP:	IP65
Operating temperature:	-40°C ~ +50°C
Guaranteed lifetime, hours:	>50 000h

Article	Name	Power, W	Dimensions, mm	Input voltage, V	Beam angle, degrees	Color temperature, K	Weight, kg
762011055	PISTOL L 11W 24V IP65 Ground / Wall	11W	d 95 x124x154	24V	5°, 12.5°, 20°, 30°, 45°, 60°, 15x30°, 10x60°	Red/Green/Blue/2700K, 3000K, 4000K, 5000K, 6500K	1.2kg
762011056	PISTOL L 11W 220V IP65 Ground / Wall	11W	d 95 x124x154	220V	5°, 12.5°, 20°, 30°, 45°, 60°, 15x30°, 10x60°	Red/Green/Blue/2700K, 3000K, 4000K, 5000K, 6500K	1.2kg
762016065	PISTOL L 16W 24V IP65 Ground / Wall	16W	d 95 x124x154	24V	5°, 12.5°, 20°, 30°, 45°, 60°, 15x30°, 10x60°	Red/Green/Blue/2700K, 3000K, 4000K, 5000K, 6500K	1.2kg
762016066	PISTOL L 16W 220V IP65 Ground / Wall	16W	d 95 x124x154	220V	5°, 12.5°, 20°, 30°, 45°, 60°, 15x30°, 10x60°	Red/Green/Blue/2700K, 3000K, 4000K, 5000K, 6500K	1.2kg

view

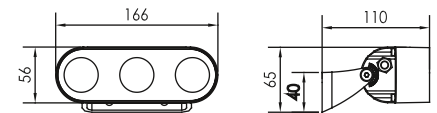
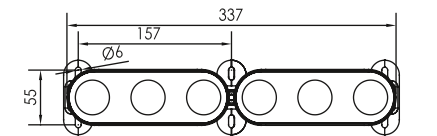


RAL

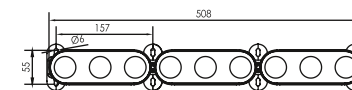
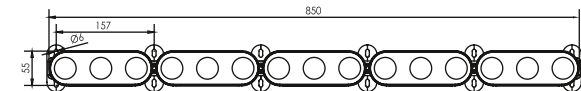
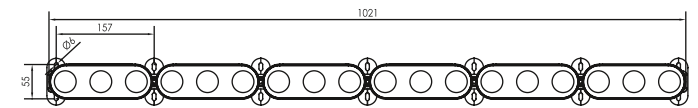
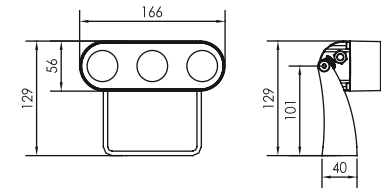
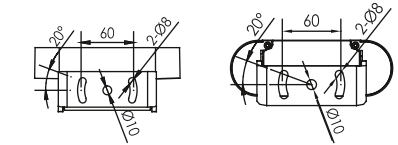


size

1 overall dimensions



1



KREUS

This flexible chain fixture is designed to illuminate columns, external and internal corners, and any objects with non-linear surfaces. It has an adjustable angle of inclination along the longitudinal axis. RGB+W Tunable White with DMX-512+RDM operated.

Housing:	Pressure die-cast aluminum alloy with polyester powder paint.
Fasteners:	Stainless steel
Glass:	Tempered glass, 3mm
Beam angles:	2.6°, 3.5°, 12°, 15°, 20°, 30°, 60°, 10x70°, 5x20°
Housing color:	Black, RAL
Color temperature, K:	2700K - 5000K, RGBW, AMBER
Input voltage, V:	24V, 220V
Control system:	Switch On/Off, DMX-512, RDM
Ingress Protection Rating, IP:	IP66
Operating temperature:	-40°C ~ +50°C

Article	Name	Power, W	Dimensions, mm	Input voltage, V	Beam angle, degrees	Color temperature, K	Weight, kg
811015010	KREUS 15W white 220V IP66	15W	166x56	220V	2.6° 3.5° 12° 15° 20° 30° 60° 10X70° 5X20°	2700K - 6000K	1,40kg
811015020	KREUS 15W amber 220V IP66	15W	166x56	220V	2.6° 3.5° 12° 15° 20° 30° 60° 10X70° 5X20°	AMBER	1,40kg
811012030	KREUS 12W RGBW 4in1 DMX RDM 220V IP66	12W	166x56	24V	15°, 20°, 30°, 15X60°	RGBW	1,40kg
811024040	KREUS 24W RGBW 4in1 DMX RDM 220V IP66	24W	166x56	24V	15°, 20°, 30°, 15X60°	RGBW	1,40kg

GARNET GLOW GR S



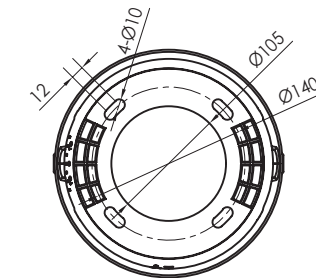
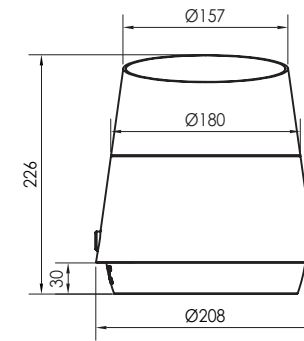
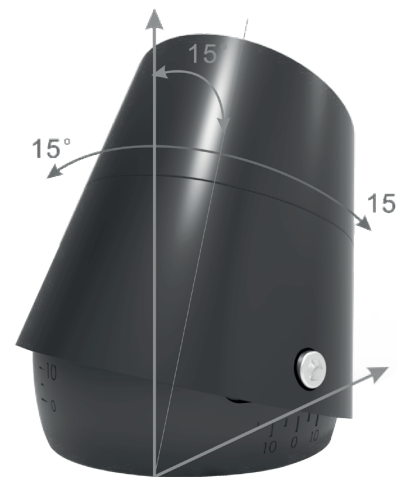
view



RAL

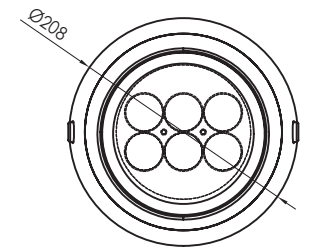
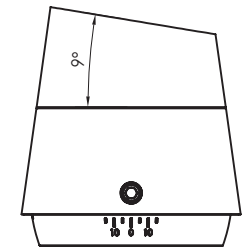


1 overall dimensions



1

size



GARNET GLOW GR S

Multifunctional spotlight is suitable for architectural floodlighting and architectural lighting. Multichip 4-in-1 RGB+W, with the DMX-512+RDM control option, mounting version: on surface, to pillar.

Housing:	Pressure die-cast aluminum alloy with polyester powder paint
Fasteners:	Stainless steel, T=2.00mm
Glass:	tempered glass, 5.0 mm
Optical system:	lenses. Efficiency 85%
Housing color:	Black, RAL
Beam angle:	2.6°, 3.5°, 12°, 15°, 20°, 30°, 60°, 10x70°, 5x20°, 15x60°
Color temperature, K:	2700K, 4000K, 5000K, RGBW
Input voltage, V:	24V, 220V
Control system:	DALI, 1-10V, DMX-512, RDM, Switch On\Off
Ingress Protection Rating, IP:	IP66
Operating temperature:	-40°C ~ +50°C

Article	Name	Power, W	Dimensions, mm	Input voltage, V	Beam angle, degrees	Color temperature, K	Weight, kg
621022010	GARNET GLOW GR S 22W 220V IP66 Single Color	22W	d157x226	220V	2700K, 4000K, 5000K	2.6°, 3.5°, 12°, 20°, 30°, 60°, 10x70°, 5x20°	2kg
621030010	GARNET GLOW GR S 30W 220V IP66 Single Color	30W	d157x226	220V	2700K, 4000K, 5000K	2.6°, 3.5°, 12°, 20°, 30°, 60°, 10x70°, 5x20°	2kg
621030020	GARNET GLOW GR S 30W 220V IP66 RGBW 4in1	30W	d157x226	24V, 220V	RGBW	15°, 20°, 30°, 15x60°	2kg

GARNET GLOW GR M



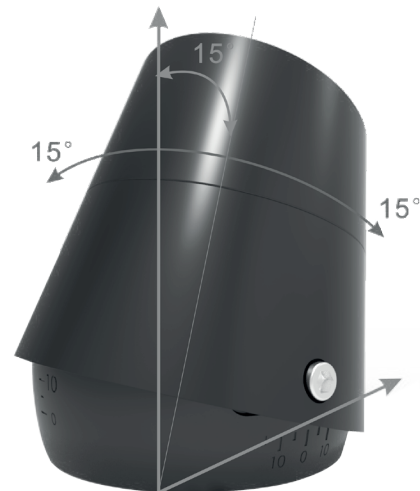
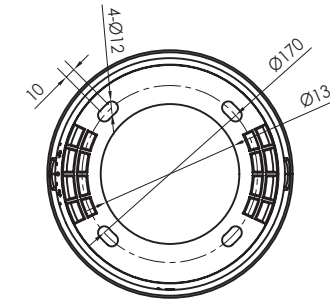
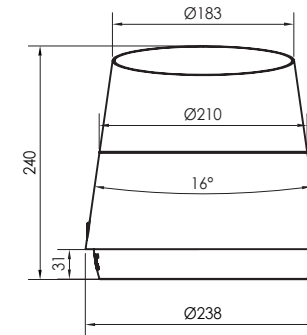
view



RAL

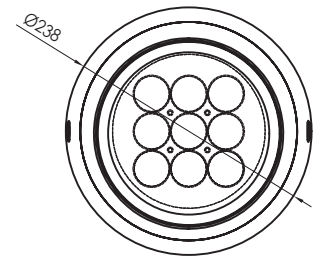
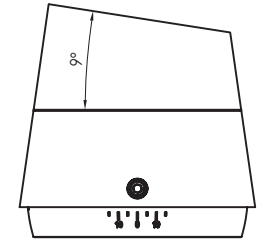


1 overall dimensions



1

size



GARNET GLOW GR M

Multifunctional spotlight is suitable for architectural floodlighting and architectural lighting. Multichip 4-in-1 RGB+W, with the DMX-512+RDM control option, mounting version: on surface, to pillar.

Housing:	Pressure die-cast aluminum alloy with polyester powder paint
Fasteners:	Stainless steel, T=2.00mm
Glass:	tempered glass, 5.0 mm
Optical system:	lenses. Efficiency 85%
Housing color:	Black, RAL
Beam angle:	2.6°, 3.5°, 12°, 15°, 20°, 30°, 60°, 10x70°, 5x20°, 15x60°
Color temperature, K:	2700K, 4000K, 5000K, RGBW
Input voltage, V:	24V, 220V
Control system:	DALI, 1-10V, DMX-512, RDM, Switch On\Off
Ingress Protection Rating, IP:	IP66
Operating temperature:	-40°C ~ +50°C

Article	Name	Power, W	Dimensions, mm	Input voltage, V	Beam angle, degrees	Color temperature, K	Weight, kg
621035010	GARNET GLOW GR M 35W 220V IP66 Single Color	35W	d183x240	220V	2700K, 4000K, 5000K	2.6°, 3.5°, 12°, 20°, 30°, 60°, 10x70°, 5x20°	3.5kg
621045010	GARNET GLOW GR M 45W 220V IP66 Single Color	45W	d183x240	220V	2700K, 4000K, 5000K	2.6°, 3.5°, 12°, 20°, 30°, 60°, 10x70°, 5x20°	3.5kg
621060020	GARNET GLOW GR M 60W 220V IP66 RGBW 4in1	60W	d183x240	36V, 220V	RGBW	15°, 20°, 30°, 15x60°	3.5kg

GARNET GLOW GR L



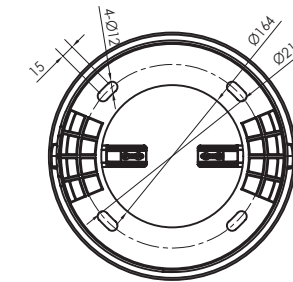
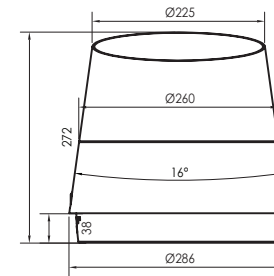
view



RAL

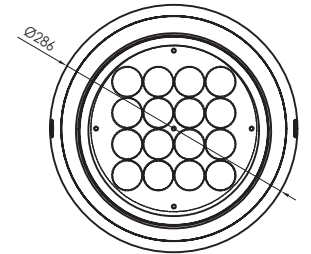
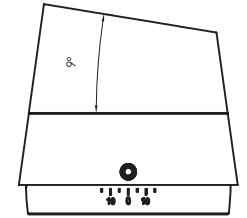


1 overall dimensions



1

size



GARNET GLOW GR L

Multifunctional spotlight is suitable for architectural floodlighting and architectural lighting. Multichip 4-in-1 RGB+W, with the DMX-512+RDM control option, mounting version: on surface, to pillar.

Housing:	Pressure die-cast aluminum alloy with polyester powder paint
Fasteners:	Stainless steel, T=2.00mm
Glass:	tempered glass, 5.0 mm
Optical system:	lenses. Efficiency 85%
Housing color:	Black, RAL
Beam angle:	2.6°, 3.5°, 12°, 15°, 20°, 30°, 60°, 10x70°, 5x20°, 15x60°
Color temperature, K:	2700K, 4000K, 5000K, RGBW
Input voltage, V:	24V, 220V
Control system:	DALI, 1-10V, DMX-512, RDM, Switch On\Off
Ingress Protection Rating, IP:	IP66
Operating temperature:	-40°C ~ +50°C

Article	Name	Power, W	Dimensions, mm	Input voltage, V	Beam angle, degrees	Color temperature, K	Weight, kg
621060010	GARNET GLOW GR L 60W 220V IP66 Single Color	60W	d225x272	220V	2.6°, 3.5°, 12°, 20°, 30°, 60°, 10x70°, 5x20°	2700K, 3000K, 4000K, 5000K	6kg
621075010	GARNET GLOW GR L 75W 220V IP66 Single Color	75W	d225x272	220V	2.6°, 3.5°, 12°, 20°, 30°, 60°, 10x70°, 5x20°	2700K, 3000K, 4000K, 5000K	6kg
621100010	GARNET GLOW GR L 100W 220V IP66 RGBW 4in1	100W	d225x272	36V, 220V	15°, 20°, 30°, 15x60°	RGBW	6kg

GARNET GLOW GR XL



view

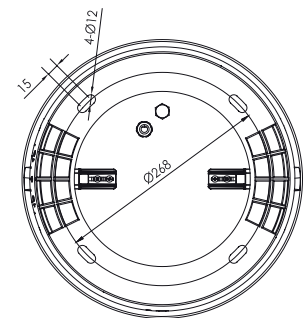
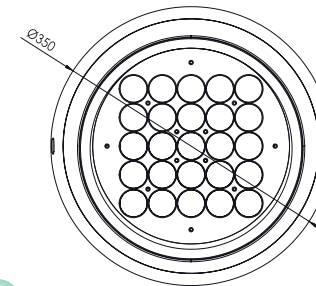
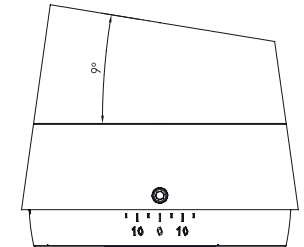
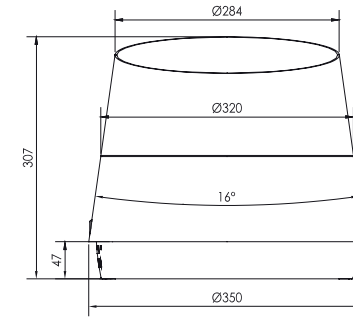


RAL



size

1 overall dimensions



1

GARNET GLOW GR XL

Multifunctional spotlight is suitable for architectural floodlighting and architectural lighting. Multichip 4-in-1 RGB+W, with the DMX-512+RDM control option, mounting version: on surface, to pillar.

Housing:	Pressure die-cast aluminum alloy with polyester powder paint
Fasteners:	Stainless steel, T=2.00mm
Glass:	tempered glass, 5.0 mm
Optical system:	lenses. Efficiency 85%
Housing color:	Black, RAL
Beam angle:	2.6°, 3.5°, 12°, 15°, 20°, 30°, 60°, 10x70°, 5x20°, 15x60°
Color temperature, K:	2700K, 4000K, 5000K, RGBW
Input voltage, V:	24V, 220V
Control system:	DALI, 1-10V, DMX-512, RDM, Switch On\Off
Ingress Protection Rating, IP:	IP66
Operating temperature:	-40°C ~ +50°C

Article	Name	Power, W	Dimensions, mm	Input voltage, V	Beam angle, degrees	Color temperature, K	Weight, kg
620120010	GARNET GLOW GR XL 120W 220V IP66 Single Color	120W	d284x307	220V	2.6°, 3.5°, 12°, 20°, 30°, 60°, 10x70°, 5x20°	2700K, 3000K, 4000K, 5000K	8kg
620150010	GARNET GLOW GR XL 150W 220V IP66 RGBW 4in1	150W	d284x307	36V, 220V	15°, 20°, 30°, 15x60°	RGBW	8kg
620200010	GARNET GLOW GR XL 200W 220V IP66 RGBW 4in1	200W	d284x307	36V, 220V	15°, 20°, 30°, 15x60°	RGBW	8kg

CHASER M

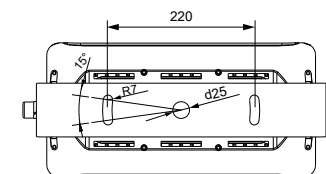
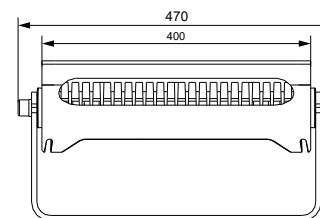
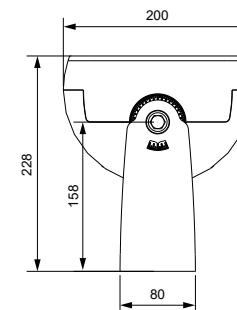
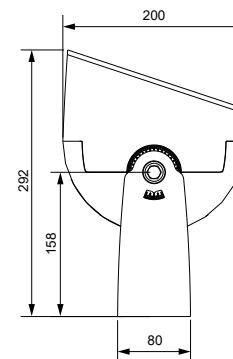


view

RAL



1 overall dimensions



1



CHASER M

Multifunctional floodlight for architectural lighting. Multichip 4-in-1 RGB+W Tunable White with DMX-512+RDM operated.

Housing:	Pressure die-cast aluminum alloy with polyester powder paint.
Fasteners:	Stainless steel, T=2.00mm
Optical system:	lenses, efficiency 82%
Beam angle:	2.6°, 3.5°, 12°, 20°, 30°, 60°, 10x70°, 5x20°
Beam angle (multichip 4in1):	8°, 25°, 10x45°
Housing color:	RAL
IES protection classes:	Class I (SELV)
Color temperature, K:	3000K, 4000K, 5600K, RGB, RGBW, RGBA
Input voltage, V:	220V
Control system:	DMX-512, RDM, Switch On\Off
Ingress Protection Rating, IP:	IP66
Operating temperature:	-40°C ~ +50°C
Guaranteed lifetime, hours:	>50 000h

Article	Name	Power, W	Dimensions, mm	Input voltage, V	Beam angle, degrees	Color temperature, K	Weight, kg
603090010	CHASER M 90W Single Color 220V IP66	90W	400x200x228	220V	2,6°,3,5°, 12°,20°,30°,60°, 10°x70°, 5°x20°	3000K, 4000K,5600K	10kg
603090020	CHASER M 100W RGBW (W-4000K) DMX512 220V IP66	100W	400x200x228	220V	2,6°,3,5°, 12°,20°,30°,60°, 10°x70°, 5°x20°	RGBW (W-4000K)	10kg
603090030	CHASER M 100W RGBA (AMBER) DMX512 220V IP66	100W	400x200x228	220V	2,6°,3,5°, 12°,20°,30°,60°, 10°x70°, 5°x20°	RGBA (AMBER)	10kg
603100040	CHASER M 100W RGBW 4in1 (W-4000K) DMX512 220V IP66	100W	400x200x228	220V	8°, 25°, 10x45°	RGBW (W-4000K)	10kg
603150010	CHASER M 150W Single Color 220V IP66	150W	400x200x228	220V	2,6°,3,5°, 12°,20°,30°,60°, 10°x70°, 5°x20°	3000K, 4000K,5600K	10kg
603150020	CHASER M 160W RGBW (W-4000K) DMX512 220V IP66	160W	400x200x228	220V	2,6°,3,5°, 12°,20°,30°,60°, 10°x70°, 5°x20°	RGBW (W-4000K)	10kg
603150030	CHASER M 160W RGBA (AMBER) DMX512 220V IP66	160W	400x200x228	220V	2,6°,3,5°, 12°,20°,30°,60°, 10°x70°, 5°x20°	RGBA (AMBER)	10kg
603160040	CHASER M 160W RGBW 4in1 (W-4000K) DMX512 220V IP66	160W	400x200x228	220V	8°, 25°, 10x45°	RGBW (W-4000K)	10kg

CHASER L



view

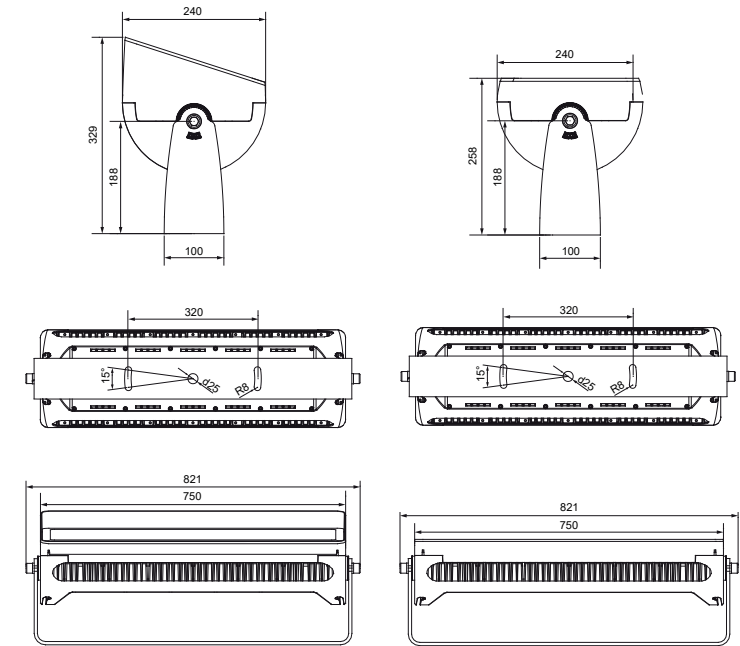
RAL



1 overall dimensions



size



CHASER L

Multifunctional floodlight for architectural lighting. Multichip 4-in-1 RGB+W Tunable White with DMX-512+RDM operated.

Housing:	Pressure die-cast aluminum alloy with polyester powder paint.
Fasteners:	Stainless steel, T=2.00mm
Optical system:	lenses, efficiency 82%
Beam angle:	2.6°, 3.5°, 12°, 20°, 30°, 60°, 10x70°, 5x20°
Beam angle (multichip 4in1):	8°, 25°, 10x45°
Housing color:	RAL
IES protection classes:	Class I (SELV)
Color temperature, K:	3000K, 4000K, 5600K, RGB, RGBW, RGBA
Input voltage, V:	220V
Control system:	DMX-512, RDM, Switch On\Off
Ingress Protection Rating, IP:	IP66
Operating temperature:	-40°C ~ +50°C
Guaranteed lifetime, hours:	>50 000h

Article	Name	Power, W	Dimensions, mm	Input voltage, V	Beam angle, degrees	Color temperature, K	Weight, kg
603210010	CHASER L 210W Single 220V IP66	210W	750x240x258	220V	2,6°,3,5°, 12°,20°,30°,60°, 10°x70°, 5°x20°	3000K, 4000K,5600K	20kg
603210020	CHASER L 220W RGBW (W-4000K) DMX512 220V IP66	220W	750x240x258	220V	2,6°,3,5°, 12°,20°,30°,60°, 10°x70°, 5°x20°	RGBW (W-4000K)	20kg
603210030	CHASER L 220W RGBA (AMBER) DMX512 220V IP66	220W	750x240x258	220V	2,6°,3,5°, 12°,20°,30°,60°, 10°x70°, 5°x20°	RGBA (AMBER)	20kg
603220040	CHASER L 220W RGBW 4in1 (W-4000K) DMX512 220V IP66	220W	750x240x258	220V	8°, 25°, 10x45°	RGBW (W-4000K)	20kg
603210050	CHASER L 300W Single 220V IP66	300W	750x240x258	220V	2,6°,3,5°, 12°,20°,30°,60°, 10°x70°, 5°x20°	3000K, 4000K,5600K	20kg
603300010	CHASER L 320W RGBW (W-4000K) DMX512 220V IP66	320W	750x240x258	220V	2,6°,3,5°, 12°,20°,30°,60°, 10°x70°, 5°x20°	RGBW (W-4000K)	20kg
603300020	CHASER L 320W RGBA (AMBER) DMX512 220V IP66	320W	750x240x258	220V	2,6°,3,5°, 12°,20°,30°,60°, 10°x70°, 5°x20°	RGBA (AMBER)	20kg
603320030	CHASER L 320W RGBW 4in1 (W-4000K) DMX512 220V IP66	320W	750x240x258	220V	8°, 25°, 10x45°	RGBW (W-4000K)	20kg

CHASER DUO

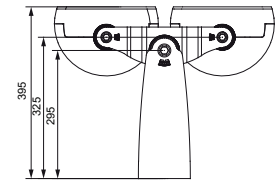
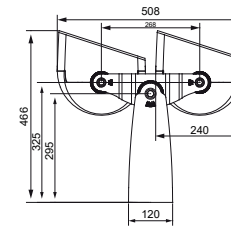
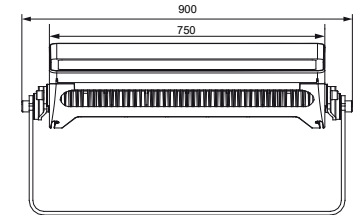
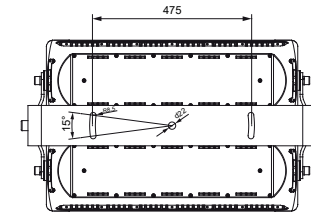


view

RAL



1 overall dimensions



1



CHASER DUO

Multifunctional floodlight for architectural lighting. Multichip 4-in-1 RGB+W Tunable White with DMX-512+RDM operated.

Housing:	Pressure die-cast aluminum alloy with polyester powder paint.
Fasteners:	Stainless steel, T=2.00mm
Optical system:	lenses, efficiency 82%
Beam angle:	2.6°, 3.5°, 12°, 20°, 30°, 60°, 10x70°, 5x20°
Beam angle (multichip 4in1):	8°, 25°, 10x45°
Housing color:	RAL
IES protection classes:	Class I (SELV)
Color temperature, K:	3000K, 4000K, 5600K, RGB, RGBW, RGBA
Input voltage, V:	220V
Control system:	DMX-512, RDM, Switch On\Off
Ingress Protection Rating, IP:	IP66
Operating temperature:	-40°C ~ +50°C
Guaranteed lifetime, hours:	>50 000h

Article	Name	Power, W	Dimensions, mm	Input voltage, V	Beam angle, degrees	Color temperature, K	Weight, kg
603480010	CHASER DUO 480W Single 220V IP66	480W	750x508x395	220V	2,6°,3,5°, 12°,20°,30°,60°, 10°x70°, 5°x20°	3000K, 4000K,5600K	37kg
603480020	CHASER DUO 500W RGBW (W-4000K) DMX512 220V IP66	500W	750x508x395	220V	2,6°,3,5°, 12°,20°,30°,60°, 10°x70°, 5°x20°	RGBW (W-4000K)	37kg
603480030	CHASER DUO 500W RGBA (AMBER) DMX512 220V IP66	500W	750x508x395	220V	2,6°,3,5°, 12°,20°,30°,60°, 10°x70°, 5°x20°	RGBA (AMBER)	37kg
603500040	CHASER DUO 500W RGBW 4in1 (W-4000K) DMX512 220V IP66	500W	750x508x395	220V	8°, 25°, 10x45°	RGBW (W-4000K)	37kg
603600010	CHASER DUO 600W Single 220V IP66	600W	750x508x395	220V	2,6°,3,5°, 12°,20°,30°,60°, 10°x70°, 5°x20°	3000K, 4000K,5600K	37kg
603600020	CHASER DUO 640W RGBW (W-4000K) DMX512 220V IP66	640W	750x508x395	220V	2,6°,3,5°, 12°,20°,30°,60°, 10°x70°, 5°x20°	RGBW (W-4000K)	37kg
603600030	CHASER DUO 640W RGBA (AMBER) DMX512 220V IP66	640W	750x508x395	220V	2,6°,3,5°, 12°,20°,30°,60°, 10°x70°, 5°x20°	RGBA (AMBER)	37kg
603640040	CHASER DUO 640W RGBW 4in1 (W-4000K) DMX512 220V IP66	640W	750x508x395	220V	8°, 25°, 10x45°	RGBW (W-4000K)	37kg

ARIZONA 30\100\150\200



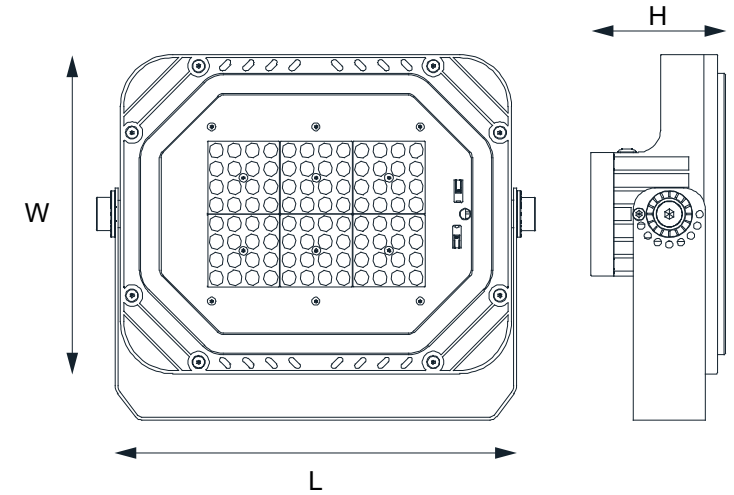
view



1 overall dimensions



size



ARIZONA 30\100\150\200

Multifunctional floodlight for general purpose areas.

Housing:	Pressure die-cast aluminum alloy with polyester powder paint
Housing color:	Black, Grey, RAL
Beam angle:	25°; 60°; 90°; 75x135°
IES protection classes:	Class I (SELV)
Color temperature, K:	3000K - 6500K
Color rendering index, Ra:	>70
Input voltage, V:	220V
Control system:	Switch On\Off
Power factor (PF):	0.95
Ingress Protection Rating, IP:	IP66
Operating temperature:	-40°C ~ +50°C
Guaranteed lifetime, hours:	>75 000h
Additional option:	Motion sensor

Article	Name	Power, W	Dimensions, mm	Input voltage, V	Beam angle, degrees	Color temperature, K	Weight, kg
786010010	ARIZONA 30W 220V IP66	30W	185x148x69	220V	25°; 60°; 90°; 75x135°	3000K-6500K	1.6kg
786010020	ARIZONA 60W 220V IP66	60W	303x246x93	220V	25°; 60°; 90°; 75x135°	3000K-6500K	4.4kg
786010030	ARIZONA 80W 220V IP66	8 80W 0	303x246x93	220V	25°; 60°; 90°; 75x135°	3000K-6500K	4.7kg
786010040	ARIZONA 100W 220V IP66	100W	358x309x110	220V	25°; 60°; 90°; 75x135°	3000K-6500K	7.1kg
786010050	ARIZONA 150W 220V IP66	150W 0	358x309x110	220V	25°; 60°; 90°; 75x135°	3000K-6500K	7.8kg
786010060	ARIZONA 200W 220V IP66	200W	437x352x126	220V	25°; 60°; 90°; 75x135°	3000K-6500K	9.7kg

TEXUS PRO 300\500\1000



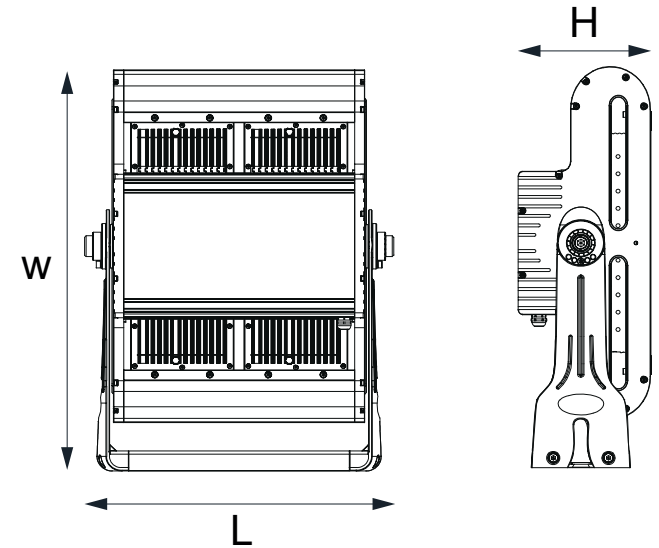
view



RAL



1 overall dimensions



1

size

TEXUS PRO 300\500\1000

Multifunctional floodlight for general purpose areas.

Housing:	Pressure die-cast aluminum alloy with polyester powder paint
Housing color:	Black, Grey, RAL
Beam angle:	15°, 30°, 60°
IES protection classes:	Class I (SELV)
Color temperature, K:	3000K - 6500K
Color rendering index, Ra:	>70
Input voltage, V:	220V
Control system:	Switch On\Off
Power factor (PF):	0.95
Ingress Protection Rating, IP:	IP66
Operating temperature:	-40°C ~ +50°C
Guaranteed lifetime, hours:	>75 000h

Article	Name	Power, W	Dimensions, mm	Input voltage, V	Beam angle, degrees	Color temperature, K	Weight, kg
786010120	TEXUS PRO 300W 220V IP66	300W	274x603x194	220V	15°, 30°, 60°	3000K-6500K	11.2kg
786010130	TEXUS PRO 500W 220V IP66	500W	450x603x195	220V	15°, 30°, 60°	3000K-6500K	18.3kg
786010140	TEXUS PRO 1000W 220V IP66	1000W	740x603x195	220V	15°, 30°, 60°	3000K-6500K	32.2kg

The background is a deep, dark blue with a complex, marbled texture. The colors range from very dark, almost black, to a lighter, glowing cyan. There are subtle, swirling patterns throughout. In the upper right quadrant, there is a faint, ethereal, glowing face that appears to be looking towards the viewer. The overall mood is mysterious and artistic.

WALL LIGHTS



ROMUS SKIFF



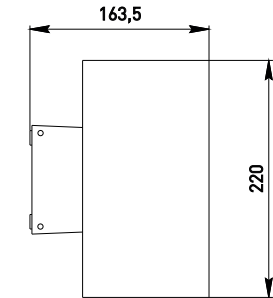
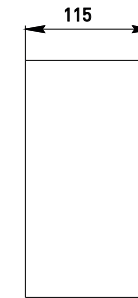
view



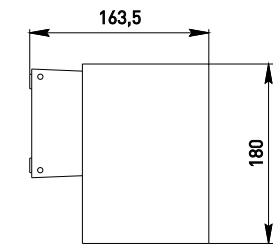
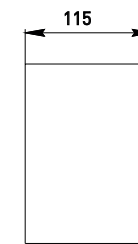
- 1 ROMUS SKIFF TWIN
- 2 ROMUS SKIFF SINGLE
- 3 ROMUS SKIFF TOP



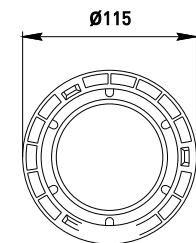
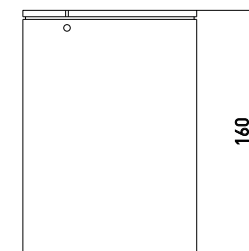
size



1



2



3

ROMUS SKIFF

LED wall luminaire for architectural lighting.

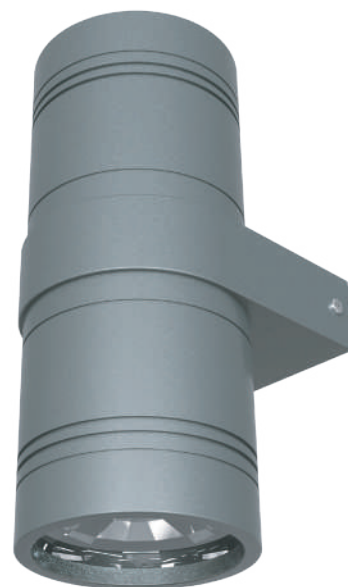
Housing:	Pressure die-cast aluminum alloy with polyester powder paint
Housing color:	Black, White, RAL
Beam angle:	12°, 15°, 24°, 36°, 60°
IES protection classes:	Class I (SELV)
Color temperature, K:	2700K, 3000K, 4000K, 5000K, 6000K
Input voltage, V:	220V
Control system:	On/Off, 1-10V
Ingress Protection Rating, IP:	IP65
Operating temperature:	-40°C ~ +50°C
Weight:	1,7-2,5kg

Article	Name	Power, W	Dimensions, mm	Input voltage, V	Beam angle, degrees	Color temperature, K	Weight, kg
644012011	ROMUS SKIFF S SINGLE 1x10W 220V IP65	12W	d115x118	220V	12°, 15°, 24°, 36°, 60°	2700K, 3000K, 4000K, 5000K, 6000K	1,8
644012013	ROMUS SKIFF M SINGLE 1x18W 220V IP65	18W	d115x118	220V	12°, 15°, 24°, 36°, 60°	2700K, 3000K, 4000K, 5000K, 6000K	1,8
644012015	ROMUS SKIFF L SINGLE 1x24W 220V IP65	24W	d115x118	220V	12°, 15°, 24°, 36°, 60°	2700K, 3000K, 4000K, 5000K, 6000K	1,8
644012017	ROMUS SKIFF S TWIN 2x9W 220V IP65	18W	d115x220	220V	12°, 15°, 24°, 36°, 60°	2700K, 3000K, 4000K, 5000K, 6000K	2,2
644012019	ROMUS SKIFF M TWIN 2x12W 220V IP65	24W	d115x220	220V	12°, 15°, 24°, 36°, 60°	2700K, 3000K, 4000K, 5000K, 6000K	2,2
644012021	ROMUS SKIFF S TOP 1x12W 220V IP65	12W	d115x160	220V	12°, 15°, 24°, 36°, 60°	2700K, 3000K, 4000K, 5000K, 6000K	1,4
644012023	ROMUS SKIFF M TOP 1x18W 220V IP65	18W	d115x160	220V	12°, 15°, 24°, 36°, 60°	2700K, 3000K, 4000K, 5000K, 6000K	1,4
644012025	ROMUS SKIFF L TOP 1x24W 220V IP65	24W	d115x160	220V	12°, 15°, 24°, 36°, 60°	2700K, 3000K, 4000K, 5000K, 6000K	1,4

ROMUS SLIM



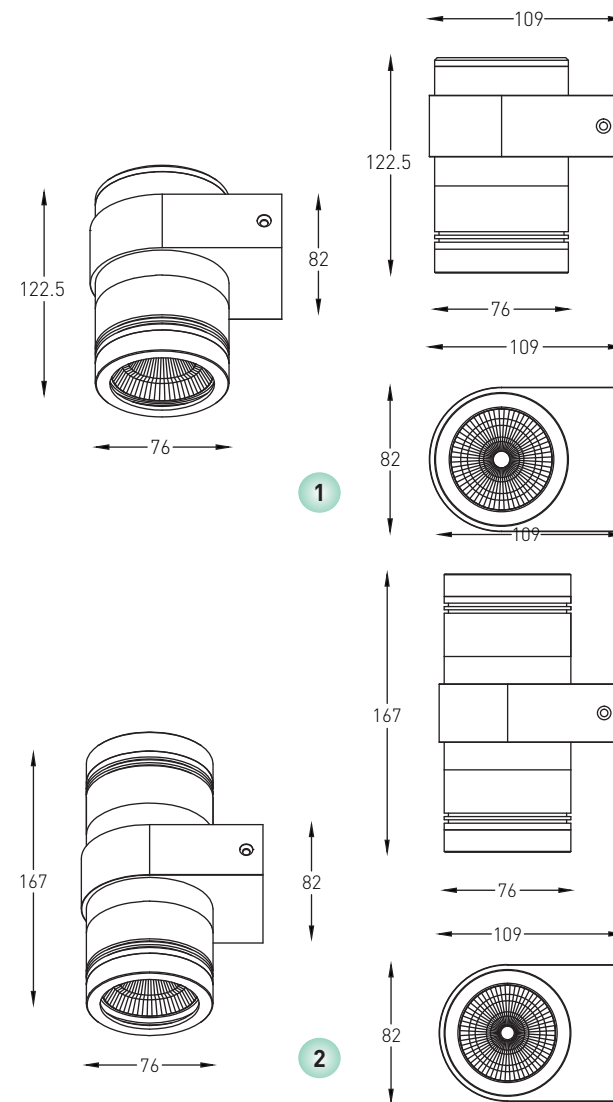
view



1 ROMUS SLIM SINGLE

2 ROMUS SLIM TWIN

size



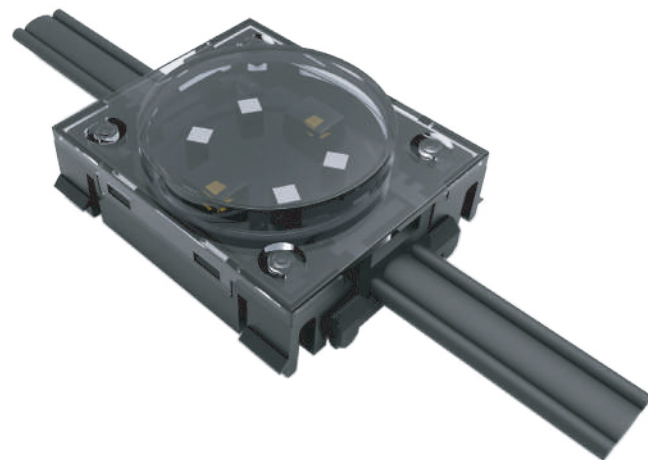
ROMUS SLIM

Wall-mounted LED IP65 luminaire for floodlighting and accentual lighting. It can withstand the load on the outer part up to 2000 kg.

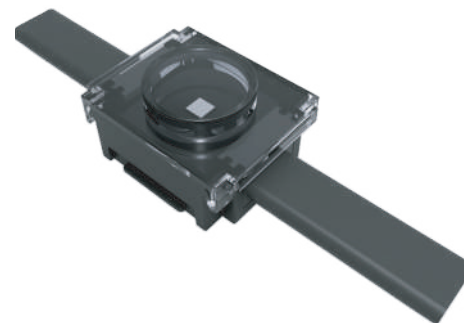
Housing:	Pressure die-cast aluminum alloy with polyester powder paint
Glass:	tempered glass, 6.0 mm
Optical system:	Efficiency 85%
Housing color:	Black, Brown, Silver
Beam angle:	24°
Color temperature, K:	3000K, 4000K, 5000K
Input voltage, V:	24V, 220V
Ingress Protection Rating, IP	IP65
Operating temperature:	-40°C ~ +50°C

Article	Name	Power, W	Dimensions, mm	Input voltage, V	Beam angle, degrees	Color temperature, K	Weight, kg
644010010	Romus Slim Single 1x10W 220V IP65	10W	d76x122,5	220V	24°	3000K, 4000K, 5000K	0.8kg
644010020	Romus Slim Single 1x10W 24V IP65	10W	d76x122,5	24V	24°	3000K, 4000K, 5000K	0.8kg
644016010	Romus Slim Twin 2x8W 220V IP65	16W	d76x167	220V	24°	3000K, 4000K, 5000K	1.1kg
644016020	Romus Slim Twin 2x8W 24V IP65	16W	d76x167	24V	24°	3000K, 4000K, 5000K	1.1kg

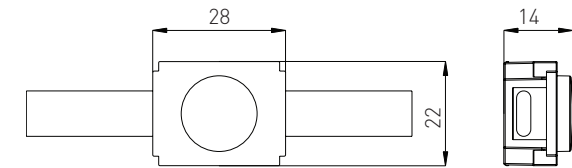
view



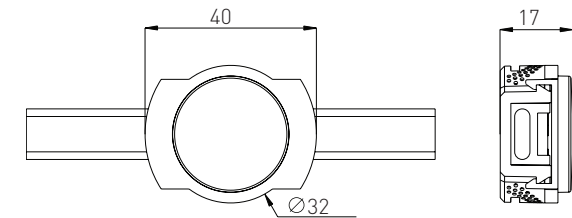
- 1 PIX_1
- 2 PIX_2
- 3 PIX_3



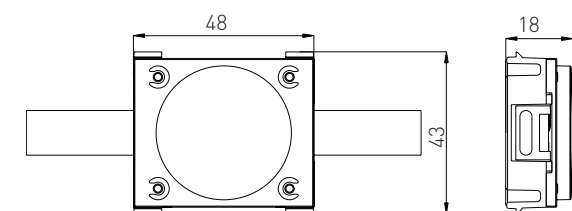
size



1



2



3

PIX

This LED DOT light is perfectly suitable for lighting facades of buildings. A group of this light can be formed in media screen with different resolution dependent on your projects.

Housing:	Pressure die-cast aluminum alloy with polyester powder paint
Housing color:	Black, Grey
Beam angle:	105°
Color temperature, K:	2700K - 5000K, RGB
Input voltage, V:	5V, 15V, 36V
Control system:	DMX-512, Switch On\Off
Ingress Protection Rating, IP:	IP66
Operating temperature:	-40°C ~ +50°C
Guaranteed lifetime, hours:	>50 000h

Article	Name	Power, W	Dimensions, mm	Input voltage, V	Beam angle, degrees	Color temperature, K	Weight, kg
809003010	PIX_1 0.3W 5V IP66 Single Color	0.3W	28x22x14	5V	2700K-5000K	105°	0,01kg
809003020	PIX_1 0.3W 5V IP66 RGB	0.3W	28x22x14	5V	RGB	105°	0,01kg
809009010	PIX_2 0.9W 15V IP66 Single Color	0.9W	32x40x17	15V	2700K-5000K	105°	0,024kg
809009010	PIX_2 0.9W 15V IP66 RGB	0.9W	32x40x17	15V	RGB	105°	0,024kg
809015010	PIX_3 1.5W 15V IP66 Single Color	1.5W	48x43x18	15V, 36V	2700K-5000K	105°	0,035kg
809015010	PIX_3 1.5W 15V IP66 RGB	1.5W	48x43x18	15V, 36V	RGB	105°	0,035kg

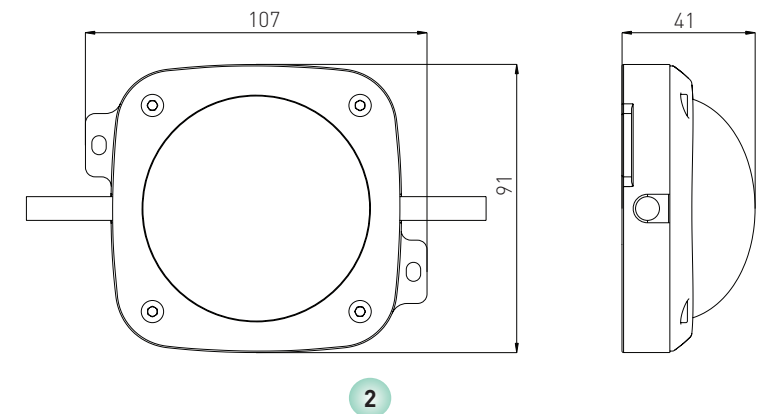
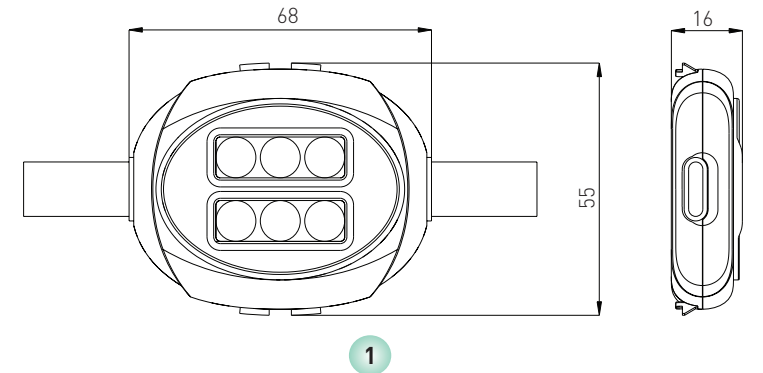
view



- 1 PIX_4
- 2 PIX_5



size



PIX

This LED DOT light is perfectly suitable for lighting facades of buildings. A group of this light can be formed in media screen with different resolution dependent on your projects.

Housing:	Pressure die-cast aluminum alloy with polyester powder paint
Housing color:	Black, Grey
Beam angle:	110°
Color temperature, K:	2700K - 5000K, RGB
Input voltage, V:	24V, 36V
Control system:	DMX-512, Switch On\Off
Ingress Protection Rating, IP:	IP66
Operating temperature:	-40°C ~ +50°C
Guaranteed lifetime, hours:	>50 000h

Article	Name	Power, W	Dimensions, mm	Input voltage, V	Beam angle, degrees	Color temperature, K	Weight, kg
809018004	PIX_4 1.8W 24V IP66 Single Color	1.8W	68x55x16	24V	2700K-5000K	110°	0.06kg
809015004	PIX_4 1.5W 24V IP66 RGB	1.5W	68x55x16	24V	RGB	110°	0.06kg
809005005	PIX_5 5W 24V IP66 Single Color	5W	107x91x41	24V/36V	2700K-5000K	110°	0.45kg
809004005	PIX_5 4W 24V IP66 RGB DMX RDM	4W	107x91x41	24V/36V	RGB	110°	0.45kg

view

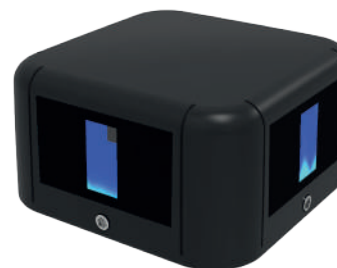
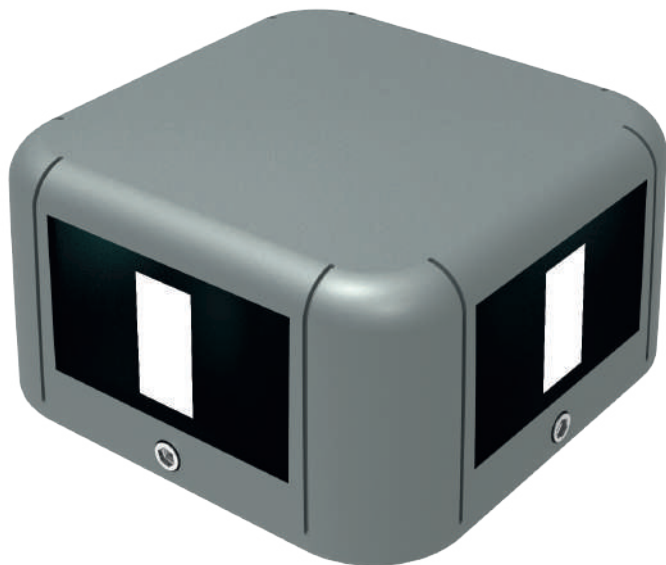
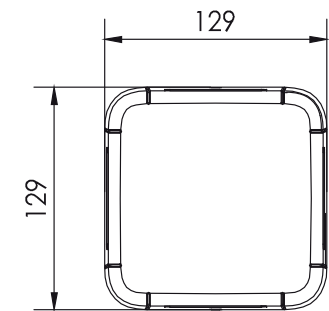
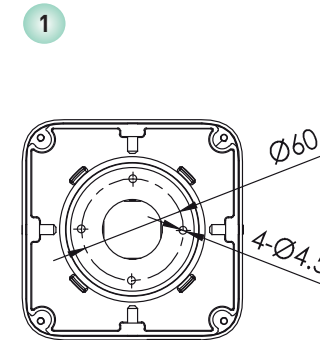
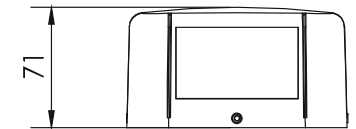


RAL



size

1 overall dimensions



CRISS

Series of decorative LED wall lights. There are suitable for lighting facades of buildings, highlight elements of architecture and creating unique design.

Housing:	Pressure die-cast aluminum alloy with polyester powder paint
Housing color:	Black, Grey, RAL
Beam angle:	2°, 60°
Color temperature, K:	3000K - 5000K, RGB, RED, GREEN, BLUE, YELLOW, AMBER
Input voltage, V:	24V, 220V
Control system:	DMX-512, Switch On\Off
Ingress Protection Rating, IP:	IP65
Operating temperature:	-40°C ~ +50°C
Guaranteed lifetime, hours:	>50 000h

Article	Name	Power, W	Dimensions, mm	Input voltage, V	Beam angle, degrees	Color temperature, K	Weight, kg
755042060	CRISS 2 4W White 220V IP65	4W	129x129x71	2°, 60°	220V	3000K, 4000K, 5000K	0.58kg
755042080	CRISS 2 4W RED/GREEN/BLUE/YELLOW/AMBER 220V IP65	4W	129x129x71	2°, 60°	220V	RED/GREEN/BLUE/YELLOW/AMBER	0.58kg
755044065	CRISS 4 8W White 220V IP65	8W	129x129x71	2°, 60°	220V	3000K, 4000K, 5000K	0.58kg
755044085	CRISS 4 8W RED/GREEN/BLUE/YELLOW/AMBER 220V IP65	8W	129x129x71	2°, 60°	220V	RED/GREEN/BLUE/YELLOW/AMBER	0.58kg
755144095	CRISS 4 14W RGB DMX-512 24V IP65	14W	129x129x71	2°, 60°	24V	RGB	0.58kg

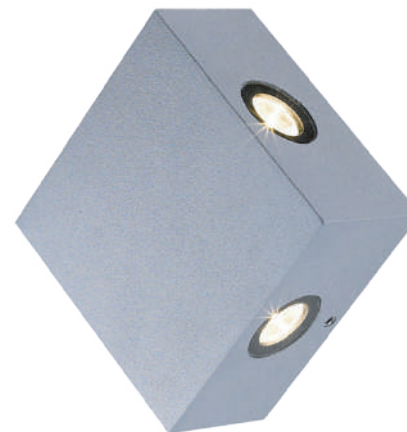
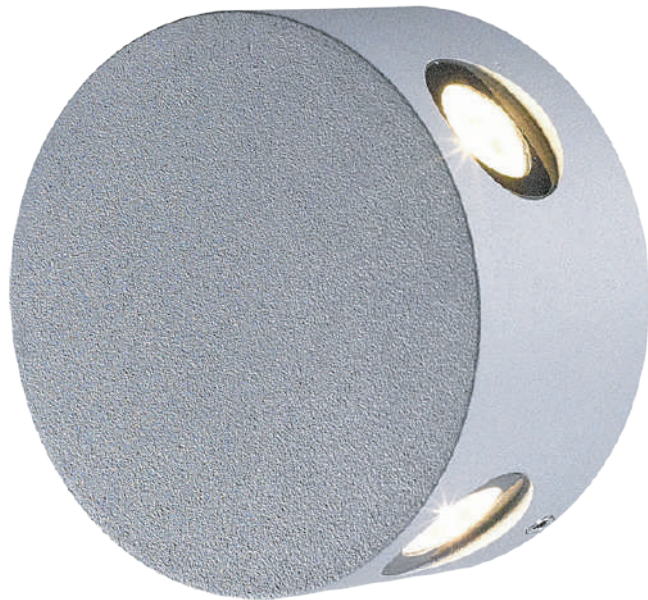
LINKER QUADRO/ROUND



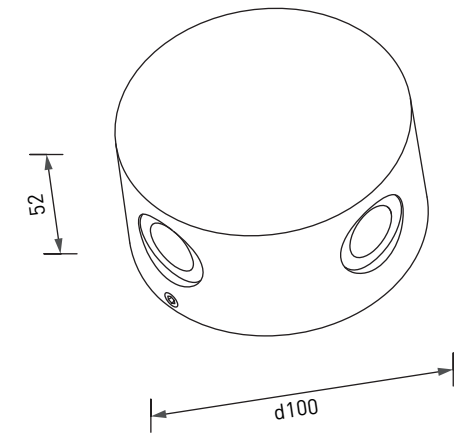
view



- 1 LINKER ROUND
- 2 LINKER QUADRO

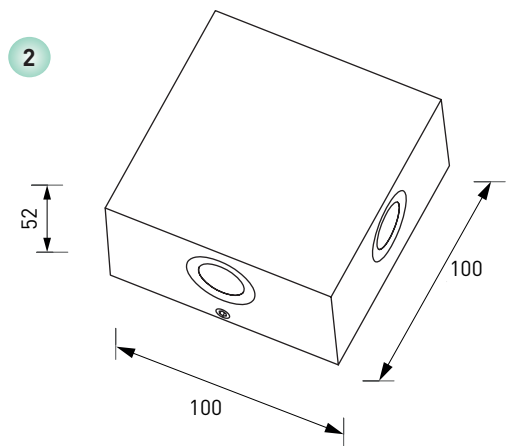


size



1

2



LINKER QUADRO/ROUND

LED outdoor wall-mounted lighting 4W, IP65.

The luminaire has an ergonomic and convenient design, and is suitable for accentual lighting.

Suitable for use as outdoor lighting. The driver and the power supply are located inside the housing.

Housing:	Pressure die-cast aluminum alloy with polyester powder paint. Body and glass are fitted with silicone sealants.
Fasteners:	Stainless steel, T=2.00mm
Glass:	tempered glass, 3.0 mm
Optical system:	Optical lens. Efficiency >85%
Optics with angles:	61°-63°
Housing color:	Black, Grey, White
Operating temperature:	-40°C – +50°C (at startup: -20°C)
Weight:	0.55 kg/ 0.44 kg
Number of diodes (monochromatic)	1X4W

Article	Name	Power, W	Dimensions, mm	Beam angle°	Light flow, lm	Color rendering index	Power factor (PF)
69504010	Linker Quadro 4W 3000K 220V IP65	4 W	100 x 100 x 52	16°	321 lm	80	0,53
69504020	Linker Round 4W 3000K 220V IP65	4 W	100 x 100 x 52	16°	321 lm	80	0,53

view

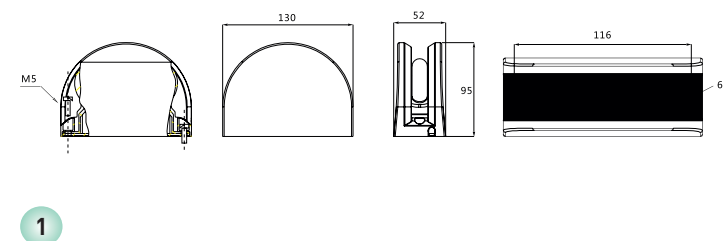


RAL



size

1 overall dimensions



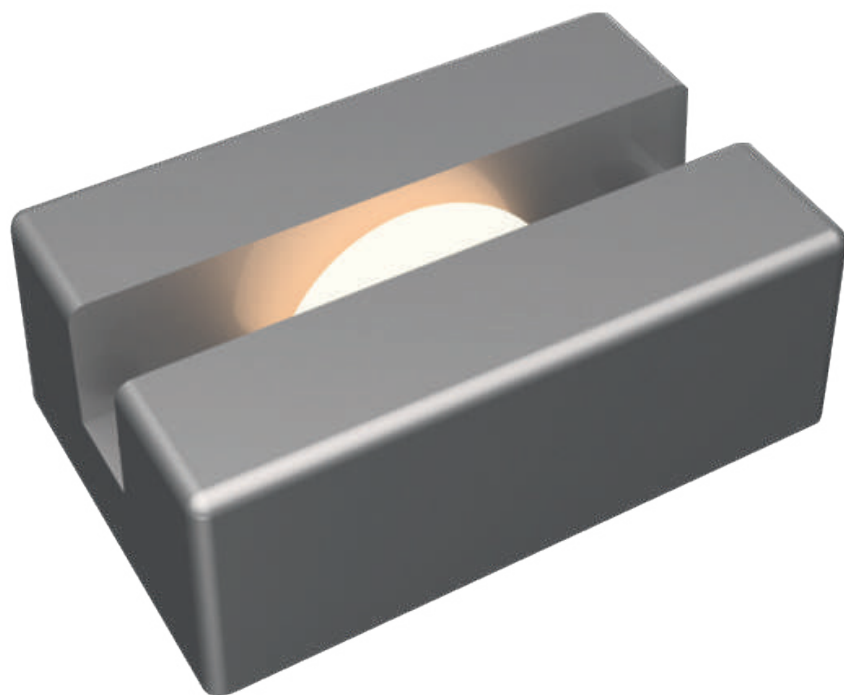
WIND

LED luminaires for architectural lighting of window openings and creating a special decorative effect.

Housing:	Pressure die-cast aluminum alloy with polyester powder paint
Housing color:	Grey, RAL
Beam angle:	6°x180°
IES protection classes:	Class I (SELV)
Color temperature, K:	2700K-6000K, AMBER, RGB, RGBW
Input voltage, V:	24V, 220V
Control system:	On/Off, DMX-512, 1-10V
Ingress Protection Rating, IP:	IP66
Operating temperature:	-25°C ~ +50°C
Weight:	0,6kg

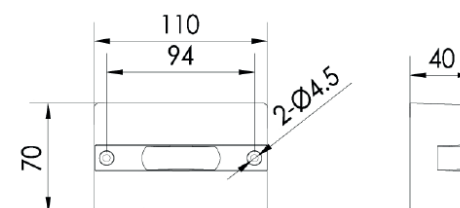
Article	Name	Power, W	Dimensions, mm	Input voltage, V	Beam angle, degrees	Color temperature, K	Weight, kg
813012011	WIND 12W Single color 24V/220V IP66	12W	130x52x95	24/220V	6°x180°	2700K-6000K	0,6kg
813018015	WIND 18W RGB DMX-512 24V IP66	18W	130x52x95	24V	6°x180°	RGB	0,6kg
813018020	WIND 18W RGBW DMX-512 24V IP66	18W	130x52x95	24V	6°x180°	RGBW	0,6kg

view



1 overall dimensions

size



1

WIND S

Series of LED lighting for architectural lighting of window opening and creating special decorative effect.

Housing:	Pressure die-cast aluminum alloy with polyester powder paint
Housing color:	Metallic
Beam angle:	2x120°
IES protection classes:	Class I (SELV)
Color temperature, K:	2700K - 5700K, AMBER, RGBW
Input voltage, V:	24V, 220V
Control system:	Switch On\Off, DMX-512
Ingress Protection Rating, IP:	IP66
Operating temperature:	-40°C ~ +50°C
Guaranteed lifetime, hours:	>35 000h

Article	Name	Power, W	Dimensions, mm	Input voltage, V	Beam angle, degrees	Color temperature, K	Weight, kg
79109001	WIND S 3W Single color IP66	3W	110x70x40	220V	2°x120°	2700K-5700K	0,43kg
79111001	WIND S 5W Single color IP66	5W	110x70x40	220V	2°x120°	2700K-5700K	0,43kg
79121002	WIND S 5W Single color DMX512 IP66	5W	110x70x40	24V	2°x 2°x120° 120°	2700K-5700K AMBER	0,43kg
79121005	WIND S 5W RGBW 4in1 DMX512 IP66	5W	110x70x40	24V	2°x120°	RGBW	0,43kg

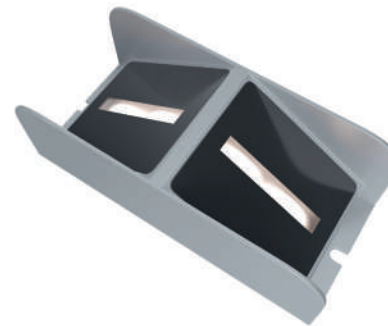
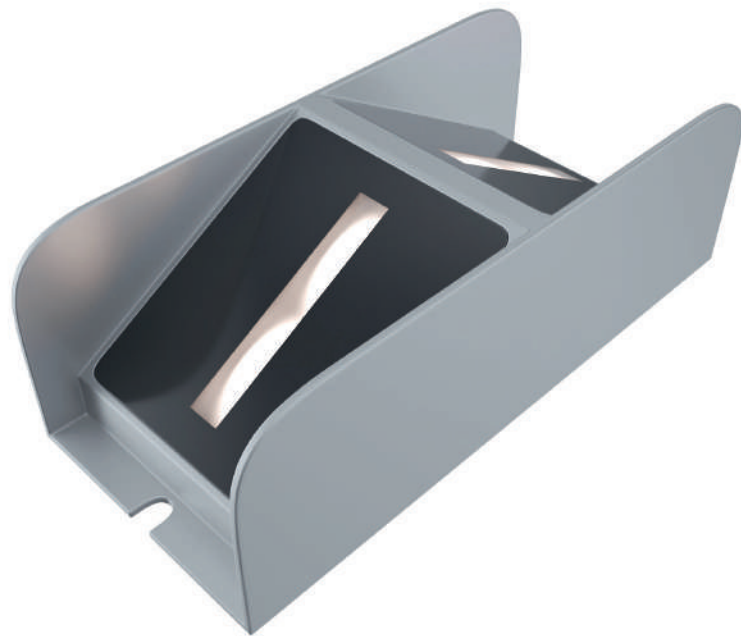
WIND SNIPE



view

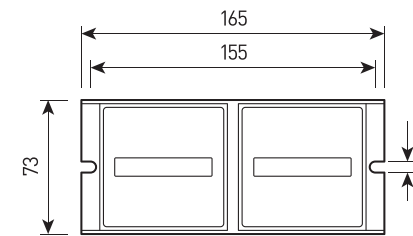
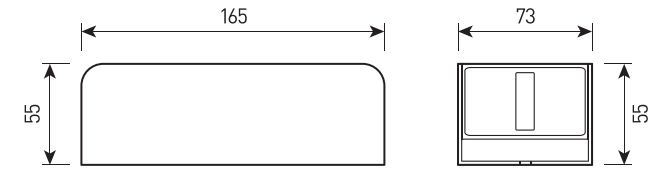


RAL



1 overall dimensions

size



1

WIND SNIPE

LED luminaires for architectural lighting of window openings and creating a special decorative effect.

Housing:	Pressure die-cast aluminum alloy with polyester powder paint
Housing color:	Grey, RAL
Beam angle:	8x120°
IES protection classes:	Class I (SELV)
Color temperature, K:	2700K, 3000K, 4000K, 5000K, 6000K, R, G, B, RGB, RGBW
Input voltage, V:	24V, 220V
Control system:	On/off, DMX-512
Ingress Protection Rating, IP:	IP66
Operating temperature:	-40°C ~ +50°C
Weight:	0,8kg

Article	Name	Power, W	Dimensions, mm	Input voltage, V	Beam angle, degrees	Color temperature, K	Weight, kg
815012114	WIND M 20W Single color 24V IP66	20W	165x73x55	24V, 220V	180°	2700K, 3000K, 4000K, 5000K, 6000K, R, G, B	0,8
815012116	WIND M 20W RGB DMX-512 24V IP66	20W	165x73x55	24V	180°	RGB	0,8
815012118	WIND M 20W RGBW DMX-512 24V IP66	20W	165x73x55	24V	180°	RGBW	0,8

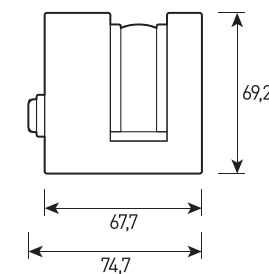
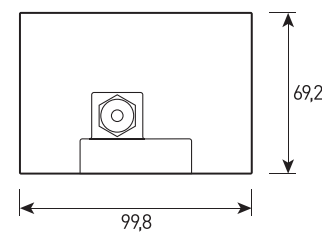
view



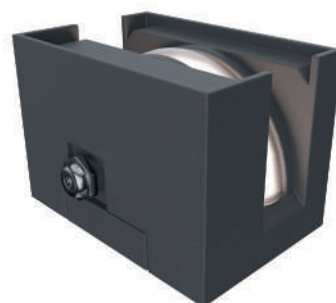
RAL



1 overall dimensions



1



size

WIND NOVA

LED luminaires for architectural lighting of window openings and creating a special decorative effect.

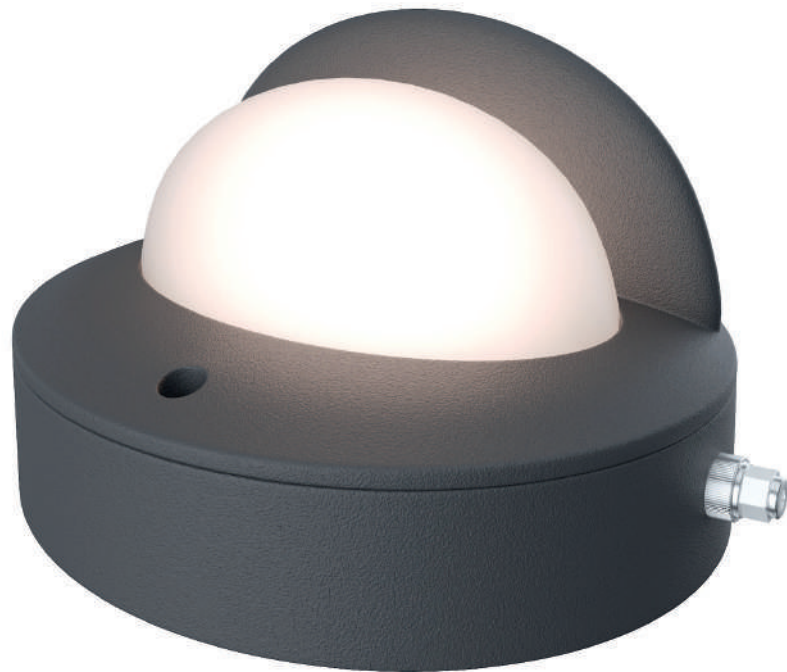
Housing:	Pressure die-cast aluminum alloy with polyester powder paint.
Housing color:	Grey, RAL
Beam angle:	180°, 360°
IES protection classes:	Class I (SELV)
Color temperature, K:	2700K, 3000K, 4000K, 5000K, 6000K, R, G, B, RGB, RGBW
Input voltage, V:	24V
Control system:	DMX-512
Ingress Protection Rating, IP:	IP66
Operating temperature:	-40°C ~ +50°C
Weight:	0,6kg

Article	Name	Power, W	Dimensions, mm	Input voltage, V	Beam angle, degrees	Color temperature, K	Weight, kg
815012014	WIND NOVA 6W Single color 24V IP66	6W	100x68x70	24V	180°, 360°	2700K, 3000K, 4000K, 5000K, 6000K, R, G, B	0,6kg
815012016	WIND NOVA 6W RGB DMX-512 24V IP66	6W	100x68x70	24V	180°, 360°	RGB	0,6kg
815012018	WIND NOVA 6W RGBW DMX-512 24V IP66	8W	100x68x70	24V	180°, 360°	RGBW	0,6kg

view



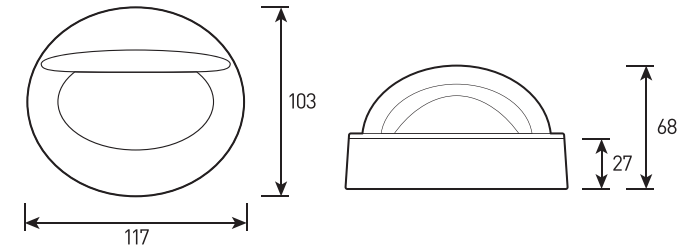
RAL



1 overall dimensions



size



1

LAUREL

LED luminaires for architectural lighting of window openings and creating a special decorative effect.

Housing:	Pressure die-cast aluminum alloy with polyester powder paint.
Housing color:	Grey, RAL
Beam angle:	53x110°
IES protection classes:	Class I (SELV)
Color temperature, K:	2700K, 3000K, 4000K, 5000K, 6000K, R, G, B, RGBW
Input voltage, V:	24V
Control system:	DMX-512
Ingress Protection Rating, IP:	IP66
Operating temperature:	-40°C ~ +50°C
Weight:	0,6kg

Article	Name	Power, W	Dimensions, mm	Input voltage, V	Beam angle, degrees	Color temperature, K	Weight, kg
814012011	LAUREL 7W Single color 24V IP66	7W	117x103x68	24V	6°x180°	2700K, 3000K, 4000K, 5000K, 6000K, R, G, B	0,6kg
814018015	LAUREL 7W RGBW DMX-512 24V IP66	10W	117x103x68	24V	6°x180°	RGBW	0,6kg

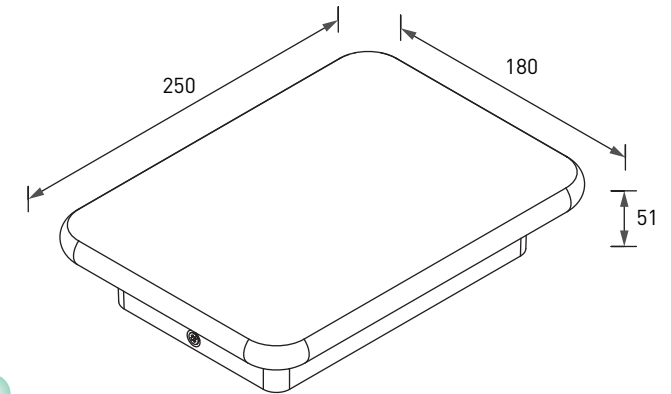
view



1 overall dimensions



size



SPIRIT

LED outdoor wall-mounted lighting 10W, IP65.

The luminaire has an ergonomic and convenient design, and is suitable for accentual lighting.

Suitable for use as outdoor lighting. The driver and the power supply are located inside the housing.

Housing:	Pressure die-cast aluminum alloy with polyester powder paint. Body and glass are fitted with silicone sealants.
Fasteners:	Stainless steel, T=2.00mm
Glass:	tempered glass, 3.0 mm
Optical system:	Optical lens. Efficiency >85%
Optics with angles:	96.5°
Housing color:	Black, Grey, White
Operating temperature:	-40°C – +50°C (at startup: -20°C)
Weight:	1 kg
Number of diodes (monochromatic)	10X1W

Article	Name	Power, W	Dimensions, mm	Beam angle°	Light flow, lm	Color rendering index	Power factor (PF)
69506410	Spirit 10W 220V IP65 3000K	10 W	250 x 180 x 51	96.5°	422 lm	84	0,86

HEATER X

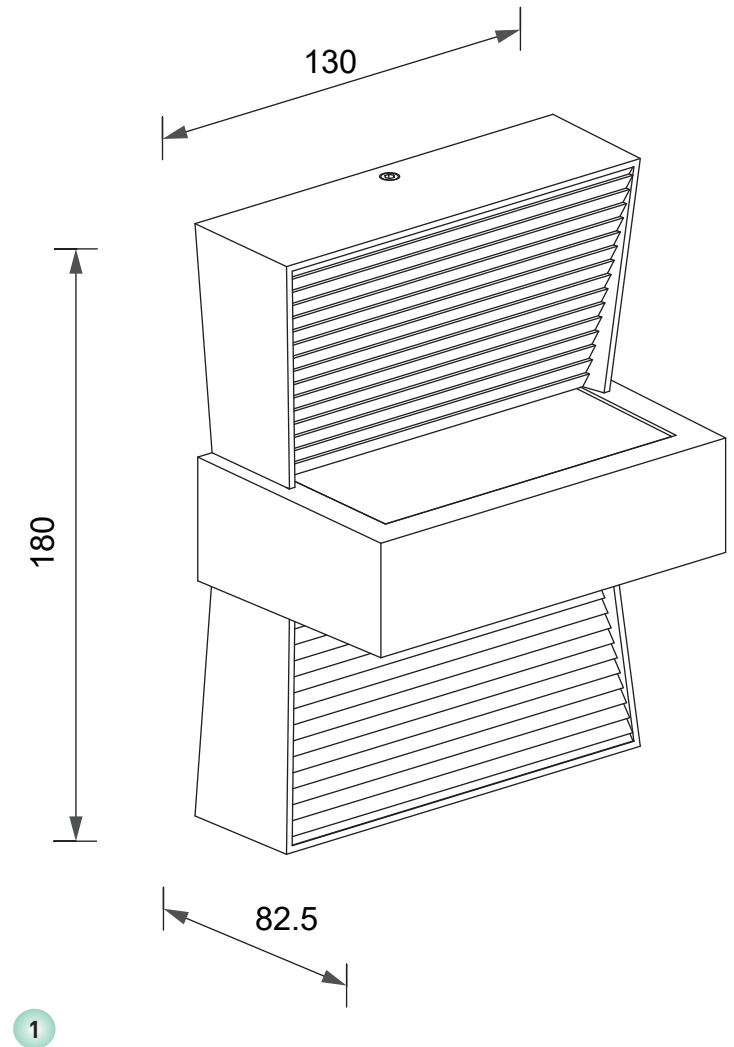


view



1 overall dimensions

size



HEATER X

LED outdoor wall-mounted lighting 7W, IP65.

The luminaire has an ergonomic and convenient design, and is suitable for accentual lighting.

Suitable for use as outdoor lighting. The driver and the power supply are located inside the housing.

Housing:	Pressure die-cast aluminum alloy with polyester powder paint. Body and glass are fitted with silicone sealants.
Fasteners:	Stainless steel, T=2.00mm
Glass:	tempered glass, 3.0 mm
Optical system:	Optical lens. Efficiency >85%
Optics with angles:	45°
Housing color:	Black, Grey, White
Operating temperature:	-40°C – +50°C (at startup: -20°C)
Weight:	0.75 kg
Number of diodes (monochromatic)	1X7W

Article	Name	Power, W	Dimensions, mm	Beam angle°	Light flow, lm	Color rendering index	Power factor (PF)
69506610	Heater X 7W 3000K 220V IP65	7 W	130 x 82.5 x 130	45°	244 lm	83	0,54

HEATER O

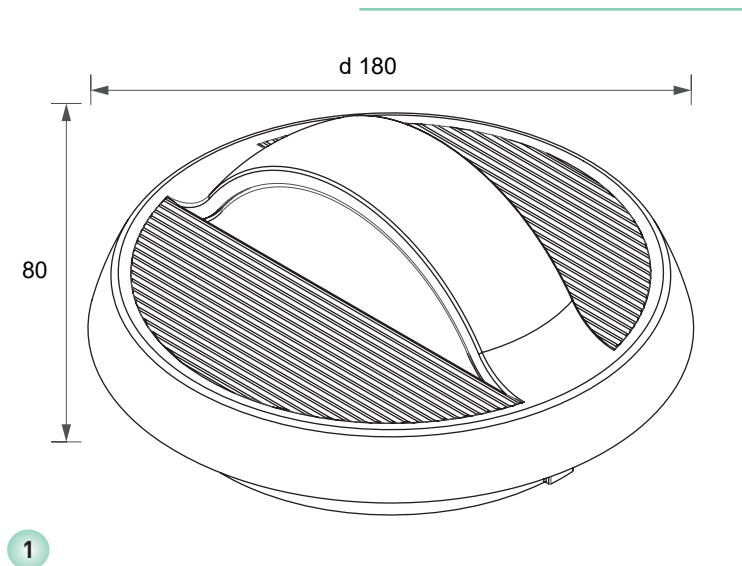


view



1 overall dimensions

size



HEATER O

LED outdoor wall-mounted lighting 6W or 12W, IP65.

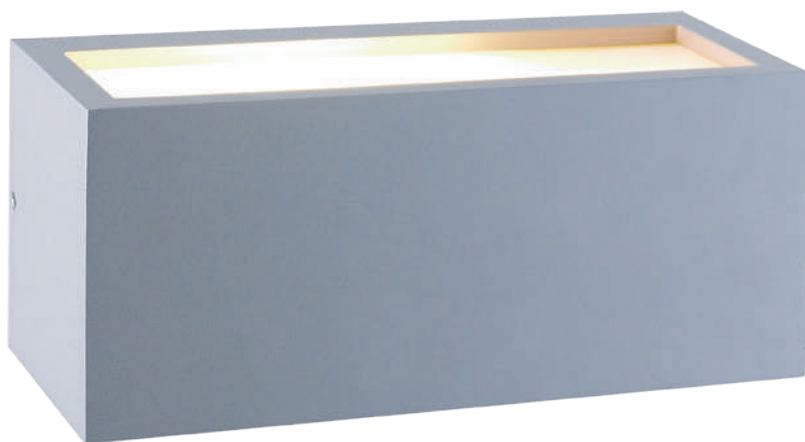
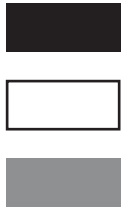
The luminaire has an ergonomic and convenient design, and is suitable for accentual lighting.

Suitable for use as outdoor lighting. The driver and the power supply are located inside the housing.

Housing:	Pressure die-cast aluminum alloy with polyester powder paint. Body and glass are fitted with silicone sealants.
Fasteners:	Stainless steel, T=2.00mm
Glass:	tempered glass, 3.0 mm
Optical system:	Optical lens. Efficiency >85%
Optics with angles:	45°
Housing color:	Black, Grey, White
Operating temperature:	-40°C – +45°C (at startup: -20°C)
Weight:	0.63 kg
Number of diodes (monochromatic)	1X7W

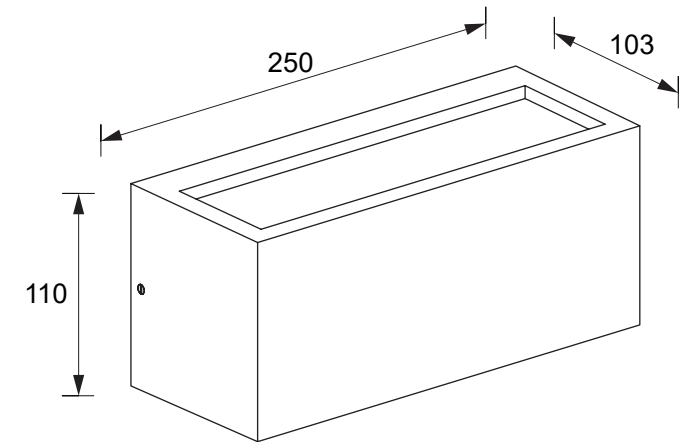
Article	Name	Power, W	Dimensions, mm	Beam angle°	Light flow, lm	Color rendering index	Power factor (PF)
69506620	Heater O 7W 3000K 220V IP65	7 W	180 x 81	80°	223 lm	82	0,54

view



1 overall dimensions

size



1

DISMA S

LED outdoor wall-mounted lighting 12W, IP65.

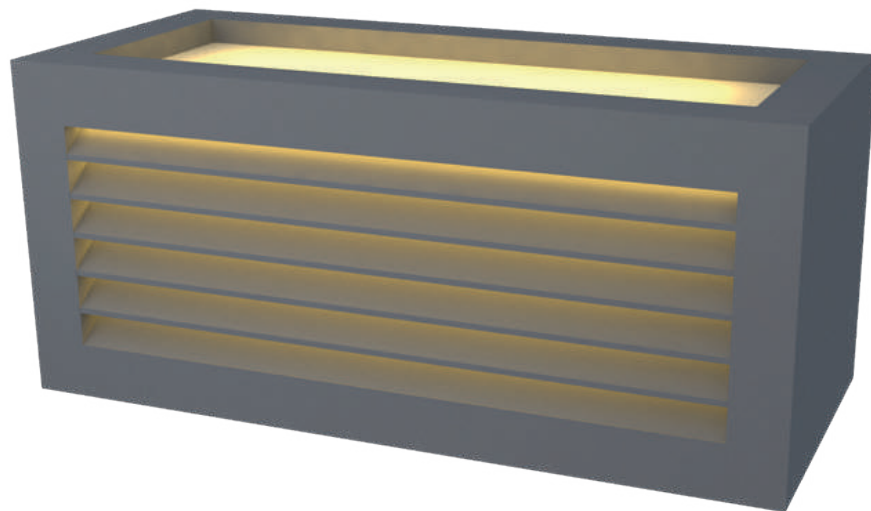
The luminaire has an ergonomic and convenient design, and is suitable for accentual lighting.

Suitable for use as outdoor lighting. The driver and the power supply are located inside the housing.

Housing:	Pressure die-cast aluminum alloy with polyester powder paint. Body and glass are fitted with silicone sealants.
Fasteners:	Stainless steel, T=2.00mm
Glass:	tempered glass, 3.0 mm
Optical system:	Optical lens. Efficiency >85%
Optics with angles:	61°
Housing color:	Black, Grey, White
Operating temperature:	-40°C – +50°C (at startup: -20°C)
Weight:	2 kg
Number of diodes (monochromatic)	16X1W

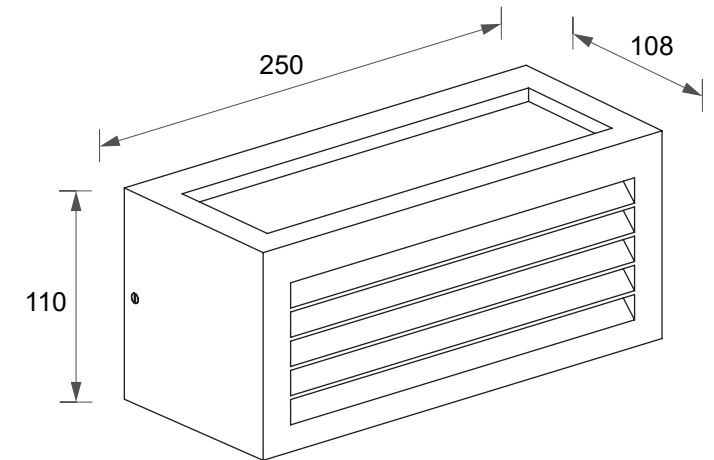
Article	Name	Power, W	Dimensions, mm	Beam angle°	Light flow, lm	Color rendering index	Power factor (PF)
69506510	Disma S 12W 3000K 220V IP65	12 W	250 x 103 x 110	61°	193 lm	84	0,93

view



1 overall dimensions

size



1

DISMA L

LED outdoor wall-mounted lighting 18W, IP65.

The luminaire has an ergonomic and convenient design, and is suitable for accentual lighting.

Suitable for use as outdoor lighting. The driver and the power supply are located inside the housing.

Housing:	Pressure die-cast aluminum alloy with polyester powder paint. Body and glass are fitted with silicone sealants.
Fasteners:	Stainless steel, T=2.00mm
Glass:	tempered glass, 3.0 mm
Optical system:	Optical lens. Efficiency >85%
Optics with angles:	126°
Housing color:	Black, Grey, White
Operating temperature:	-40°C – +45°C (at startup: -20°C)
Weight:	1,13 kg
Number of diodes (monochromatic)	1X12W

Article	Name	Power, W	Dimensions, mm	Beam angle°	Light flow, lm	Color rendering index	Power factor (PF)
69506520	Disma L 12W 3000K 220V IP65	12 W	250 x 108 x 110	126°	209 lm	83	0,93

MEGRY-W STRAIGHT



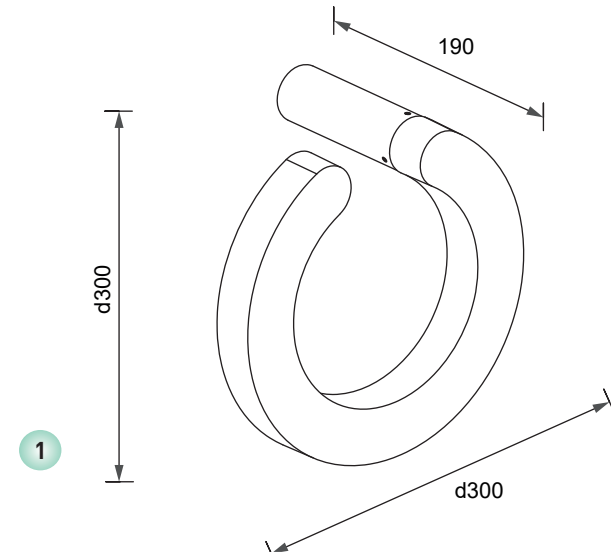
view



1 overall dimensions



size



MEGRY-W STRAIGHT

LED outdoor wall-mounted lighting 6W, IP65.

The luminaire has an ergonomic and convenient design, and is suitable for accentual lighting.

Suitable for use as outdoor lighting. The driver and the power supply are located inside the housing.

Housing:	Pressure die-cast aluminum alloy with polyester powder paint. Body and glass are fitted with silicone sealants.
Fasteners:	Stainless steel, T=2.00mm
Glass:	tempered glass, 3.0 mm
Optical system:	Optical lens. Efficiency >85%
Optics with angles:	96°
Housing color:	Black, Grey, White
Operating temperature:	-40°C – +50°C (at startup: -20°C)
Weight:	1.53 kg
Number of diodes (monochromatic)	6X1W

Article	Name	Power, W	Dimensions, mm	Beam angle°	Light flow, lm	Color rendering index	Power factor (PF)
69503060	Megry-W Straight 6W 3000K 220V IP65	6 W	300 x 190	96°	229 lm	86	0,53

MEGRY-W ANGLE

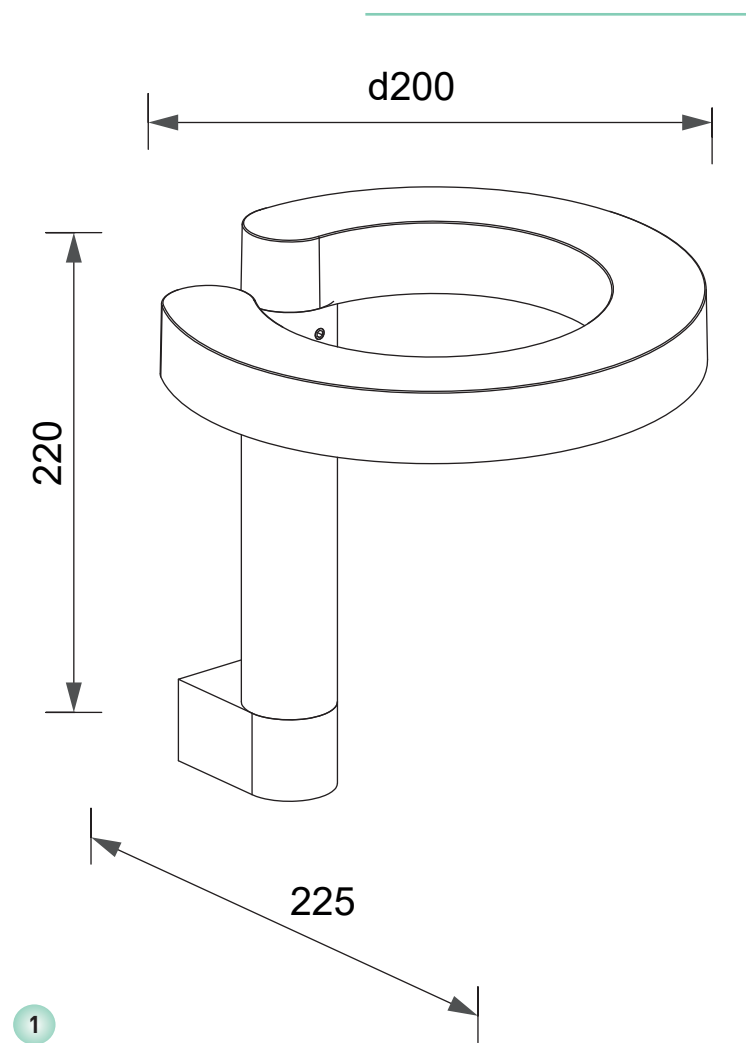


view



1 overall dimensions

size



MEGRY-W ANGLE

LED outdoor wall-mounted lighting 6W, IP65.

The luminaire has an ergonomic and convenient design, and is suitable for accentual lighting.

Suitable for use as outdoor lighting. The driver and the power supply are located inside the housing.

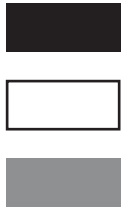
Housing:	Pressure die-cast aluminum alloy with polyester powder paint. Body and glass are fitted with silicone sealants.
Fasteners:	Stainless steel, T=2.00mm
Glass:	tempered glass, 3.0 mm
Optical system:	Optical lens. Efficiency >85%
Optics with angles:	102.3°
Housing color:	Black, Grey, White
Operating temperature:	-40°C – +50°C (at startup: -20°C)
Weight:	0.88 kg
Number of diodes (monochromatic)	6X1W

Article	Name	Power, W	Dimensions, mm	Beam angle°	Light flow, lm	Color rendering index	Power factor (PF)
69503070	Megry-W Angle 6W 3000K 220V IP65	6 W	200 x 225 x 220	102°	280 lm	81	0,53

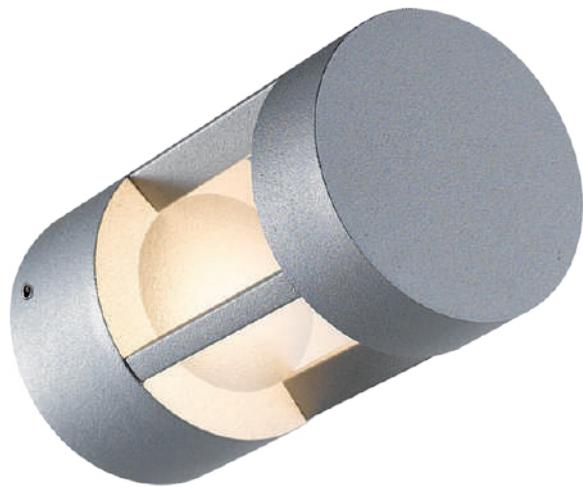
BOWLER ROUND-W/G



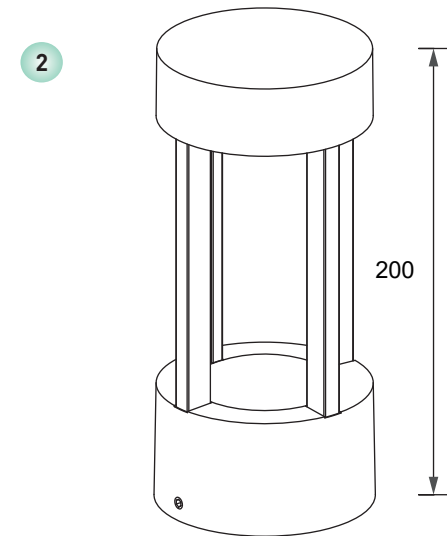
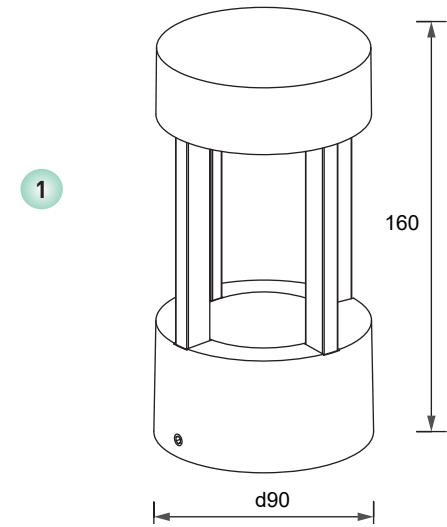
view



- 1 BOWLER ROUND-W 7W
- 2 BOWLER ROUND-G 200 7W



size



BOWLER ROUND-W/G

LED outdoor wall-mounted lighting 7W, IP65.

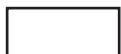
The luminaire has an ergonomic and convenient design, and is suitable for accentual lighting.

Suitable for use as outdoor lighting. The driver and the power supply are located inside the housing.

Housing:	Pressure die-cast aluminum alloy with polyester powder paint. Body and glass are fitted with silicone sealants.
Fasteners:	Stainless steel, T=2.00mm
Glass:	tempered glass, 3.0 mm
Optical system:	Optical lens. Efficiency >85%
Optics with angles:	40°, 33°
Housing color:	Black, Grey, White
Operating temperature:	-40°C – +50°C (at startup: -20°C)
Weight:	0.67 kg
Number of diodes (monochromatic)	1X7W

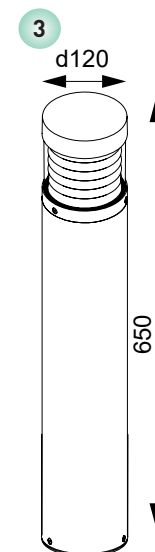
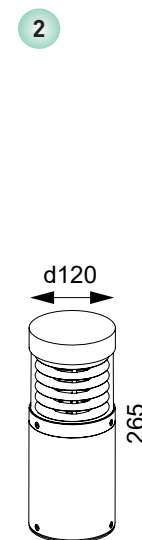
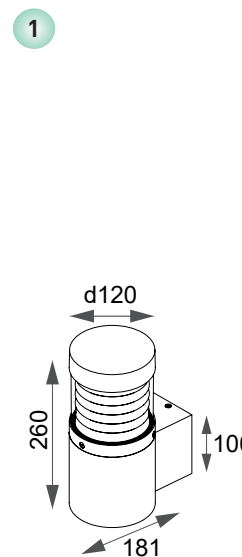
Article	Name	Power, W	Dimensions, mm	Beam angle°	Light flow, lm	Color rendering index	Power factor (PF)
69503160	Bowler Round-W 7W 3000K 220V IP65	7 W	90 x 160	40°	359 lm	82	0,53
69503170	Bowler Round-G 200 7W 3000K 220V IP65	7 W	90 x 200	33°	426 lm	82	0,54

view



- 1 BRUMI-W
- 2 BRUMI-G 265
- 3 BRUMI-G 650

size



BRUMI

LED outdoor lighting 12W, IP65.

The luminaire has an ergonomic and convenient design, and is suitable for accentual lighting.

Suitable for use as outdoor lighting. The driver and the power supply are located inside the housing.

Housing:	Pressure die-cast aluminum alloy with polyester powder paint. Body and glass are fitted with silicone sealants.
Fasteners:	Stainless steel, T=2.00mm
Glass:	tempered glass, 3.0 mm
Optical system:	Optical lens. Efficiency >85%
Optics with angles:	50°
Housing color:	Black, Grey, White
Operating temperature:	-40°C – +50°C (at startup: -20°C)
Weight:	1.88 kg/ 1.40 kg
Number of diodes (monochromatic)	1X12W

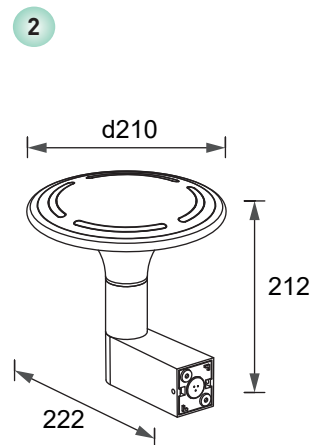
Article	Name	Power, W	Dimensions, mm	Beam angle°	Light flow, lm	Color rendering index	Power factor (PF)
69503240	Brumi-W 12W 3000K 220V IP65	12 W	181 x 120 x 260	51°	131 lm	80	0,93
69503250	Brumi-G 265 12W 3000K 220V IP65	12 W	181 x 120 x 265	51°	131 lm	80	0,93
69503260	Brumi-G 650 12W 3000K 220V IP65	12 W	181 x 120 (650)	51°	131 lm	80	0,93

view

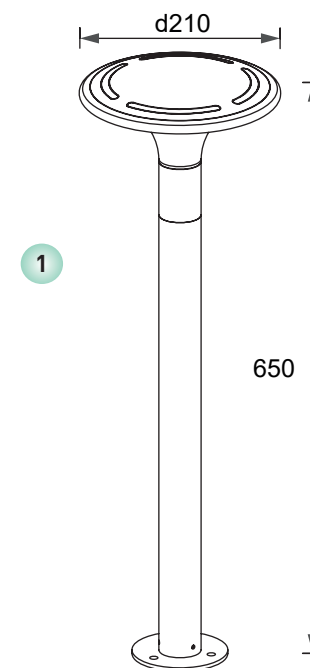


1 TARUM-G 650

2 TARUM-W



size



<https://img-lighting.com/>

TARUM

LED outdoor lighting 7W, IP65.

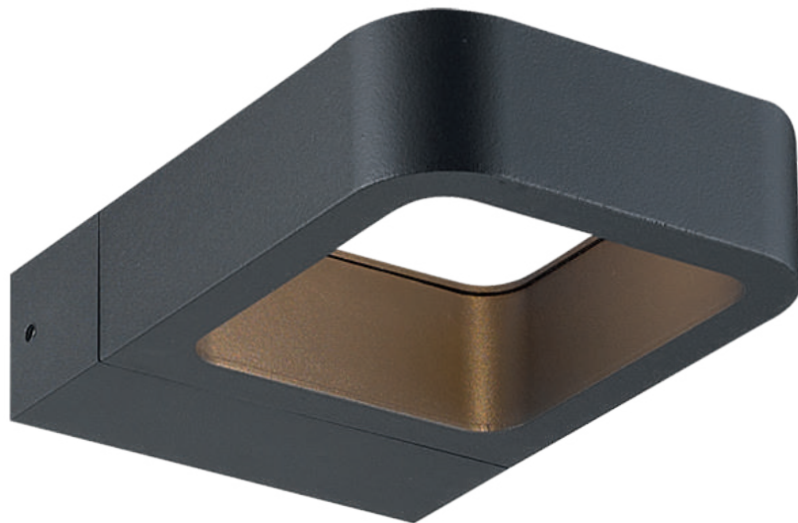
The luminaire has an ergonomic and convenient design, and is suitable for accentual lighting.

Suitable for use as outdoor lighting. The driver and the power supply are located inside the housing.

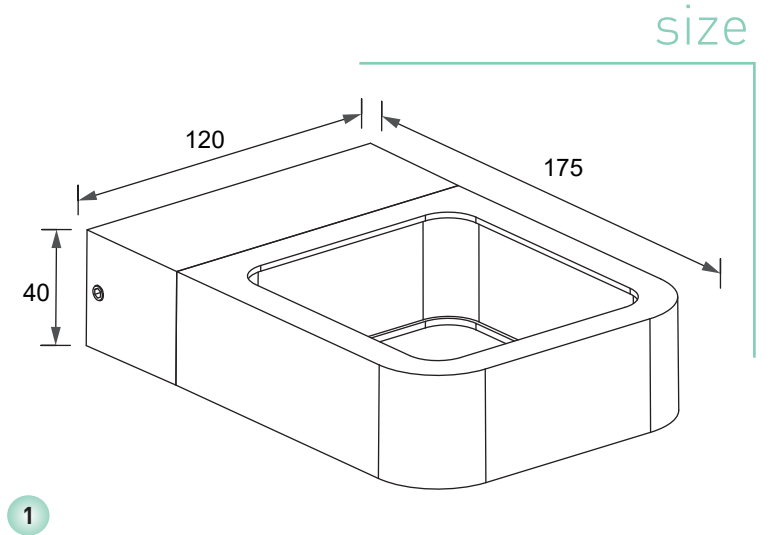
Housing:	Pressure die-cast aluminum alloy with polyester powder paint. Body and glass are fitted with silicone sealants.
Fasteners:	Stainless steel, T=2.00mm
Glass:	tempered glass, 3.0 mm
Optical system:	Optical lens. Efficiency >85%
Optics with angles:	50°
Housing color:	Black, Grey, White
Operating temperature:	-40°C – +50°C (at startup: -20°C)
Weight:	1.00 kg/ 1.43 kg
Number of diodes (monochromatic)	1X7W

Article	Name	Power, W	Dimensions, mm	Beam angle°	Light flow, lm	Color rendering index	Power factor (PF)
69503270	Tarum-W 7W 3000K 220V IP65	7 W	210 x 222 x 212	97°	259 lm	83	0,53
69503280	Tarum-G 650 7W 3000K 220V IP65	7 W	210 x 650	97°	259 lm	83	0,53

view



1 overall dimensions



MELAN-W

LED outdoor lighting 7W, IP65.

The luminaire has an ergonomic and convenient design, and is suitable for accentual lighting.

Suitable for use as outdoor lighting. The driver and the power supply are located inside the housing.

Housing:	Pressure die-cast aluminum alloy with polyester powder paint. Body and glass are fitted with silicone sealants.
Fasteners:	Stainless steel, T=2.00mm
Glass:	tempered glass, 3.0 mm
Optical system:	Optical lens. Efficiency >85%
Optics with angles:	46°
Housing color:	Black, Grey, White
Operating temperature:	-40°C – +50°C (at startup: -20°C)
Weight:	0.67 kg
Number of diodes (monochromatic)	7X1W

Article	Name	Power, W	Dimensions, mm	Beam angle°	Light flow, lm	Color rendering index	Power factor (PF)
69503100	Melan-W 7W 3000K 220V IP65	7 W	120 x 175 x 40	46°	240 lm	82	0,54

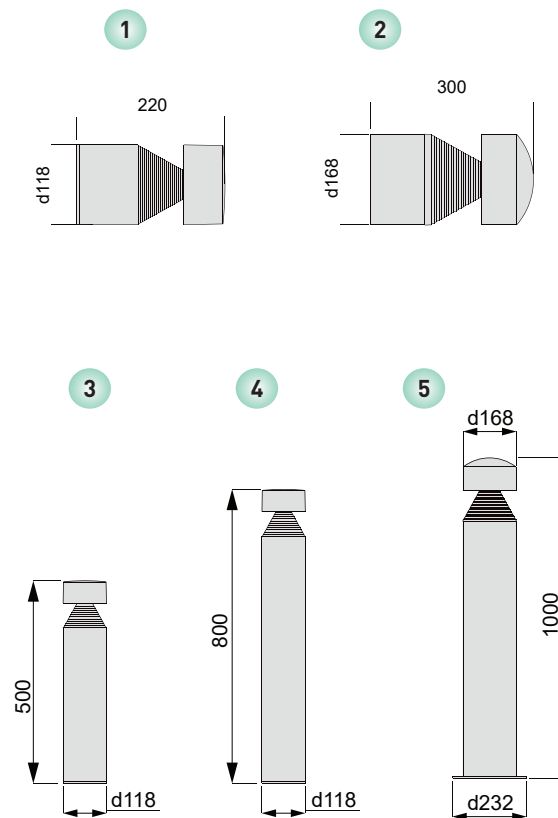
view



- 1 TORCH STRAIGHT-W 10W
- 2 TORCH ROUNDED-W 15W
- 3 TORCH STRAIGHT-G 10W 500 MM
- 4 TORCH STRAIGHT-G 10W 800 MM
- 5 TORCH ROUNDED-G 25W 1000 MM



size



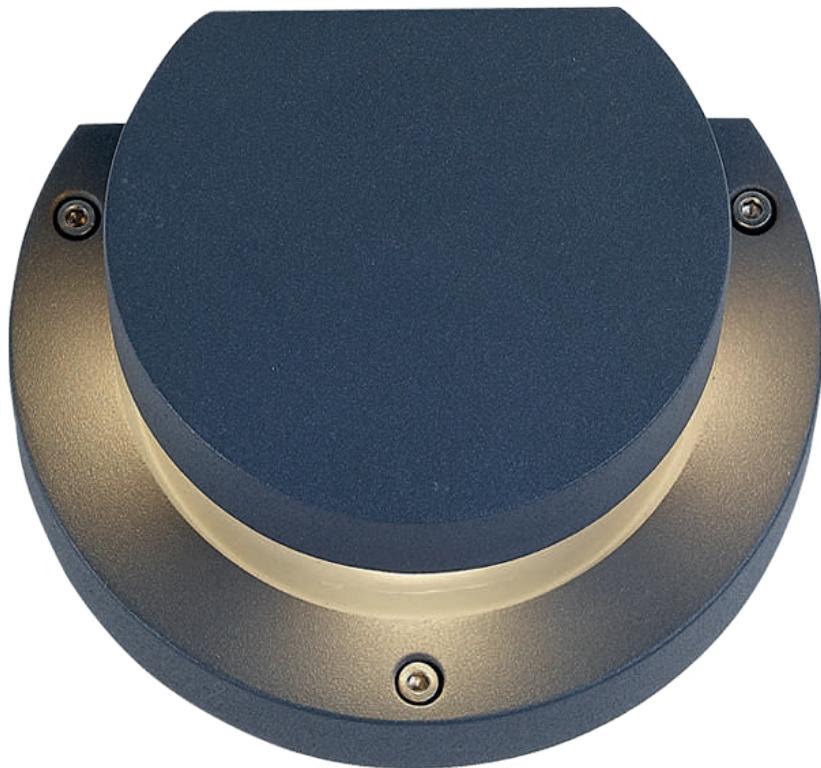
TORCH

Special designed series of bollard lights and wall lights with flat or rounded top. Modifications have different housing, height and leds quantity. A stable clamping to the ground is possible with the help of collar.

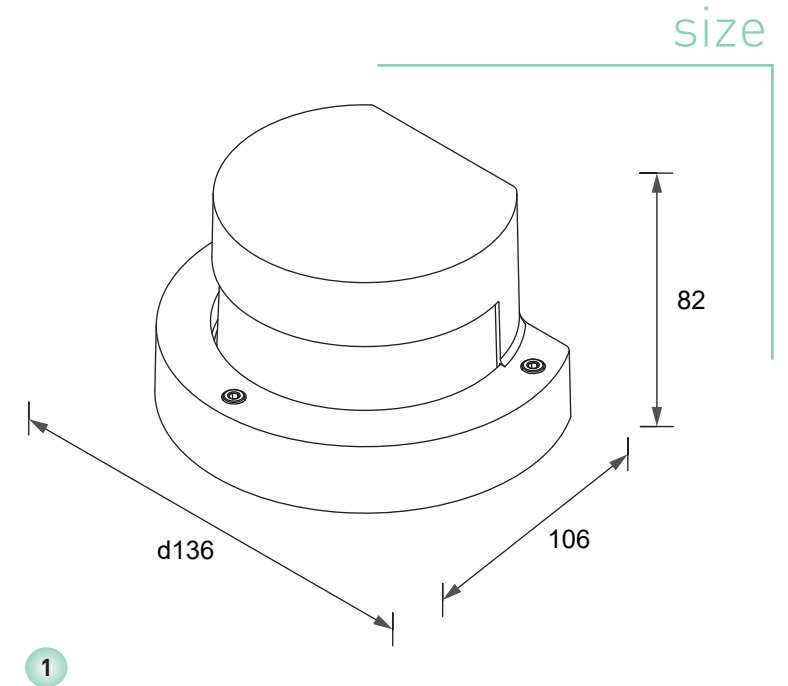
Housing:	Pressure die-cast aluminum alloy with polyester powder paint. Body and glass are fitted with silicone sealants.
Fasteners:	Stainless steel, T=2.00mm
Beam angle:	140°
Housing color:	Black, Grey, White
Color temperature, K:	3000K, 4000K, 6000K
Color rendering index, CRI:	>70
Power Factor:	0.89
Control system:	Switch On/Off
Input voltage, V:	220V
Ingress Protection Rating, IP:	IP65
Operating temperature:	-40°C to +50°C (at startup: -20°C)

Article	Name	Power, W	Dimensions, mm	Input voltage, V	Beam angle, degrees	Color Temperature, K	Weight, kg
69901020	Torch Straight-W 10W IP65	10W	d118x220	220V	140°	3000K-6000K	1.4kg
69901520	Torch Rounded-W 15W IP65	15W	d168x300	220V	140°	3000K-6000K	2.2kg
69601020	Torch Straight-G 10W 500mm IP65	10W	d118x500	220V	140°	3000K-6000K	3.8kg
69601040	Torch Straight-G 10W 800mm IP65	10W	d118x800	220V	140°	3000K-6000K	4.6kg
69602520	Torch Rounded-G 25W 1000mm IP65	25W	d232x1000	220V	140°	3000K-6000K	6kg

view



1 overall dimensions



TONEL MINI

LED outdoor wall-mounted lighting 3W, IP65.

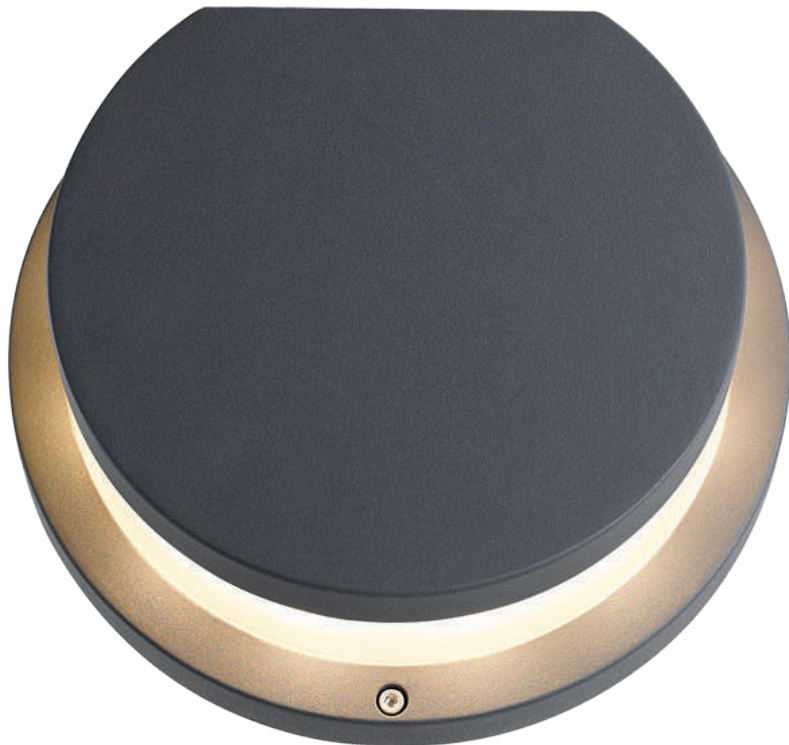
The luminaire has an ergonomic and convenient design, and is suitable for accentual lighting.

Suitable for use as outdoor lighting. The driver and the power supply are located inside the housing.

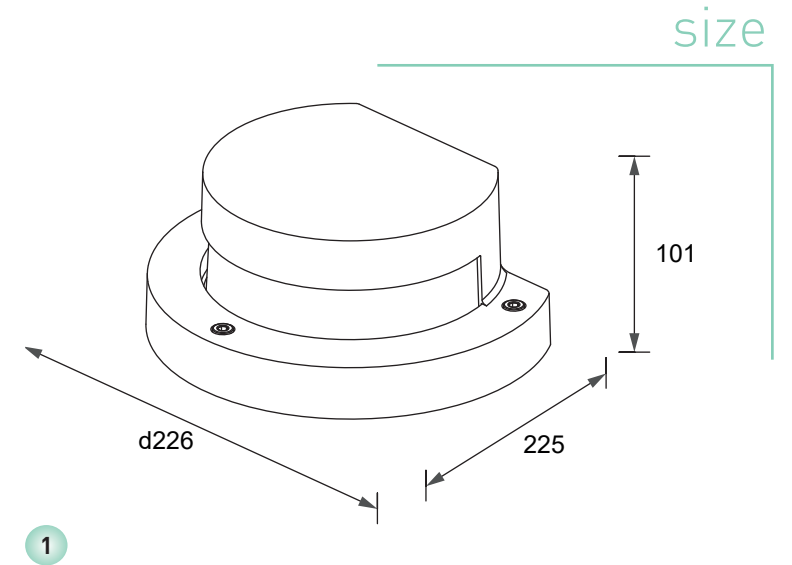
Housing:	Pressure die-cast aluminum alloy with polyester powder paint. Body and glass are fitted with silicone sealants.
Fasteners:	Stainless steel, T=2.00mm
Glass:	tempered glass, 3.0 mm
Optical system:	Optical lens. Efficiency >85%
Optics with angles:	183°
Housing color:	Black, Grey, White
Operating temperature:	-40°C – +50°C (at startup: -20°C)
Weight:	2.63 kg
Number of diodes (monochromatic)	3X1W

Article	Name	Power, W	Dimensions, mm	Beam angle°	Light flow, lm	Color rendering index	Power factor (PF)
69503020	Tonel Mini 3W 3000K 220V IP65	3 W	136 x 106 x 82	183°	119 lm	80	0,53

view



1 overall dimensions



TONEL MIDI

LED outdoor wall-mounted lighting 8W, IP65.

The luminaire has an ergonomic and convenient design, and is suitable for accentual lighting.

Suitable for use as outdoor lighting. The driver and the power supply are located inside the housing.

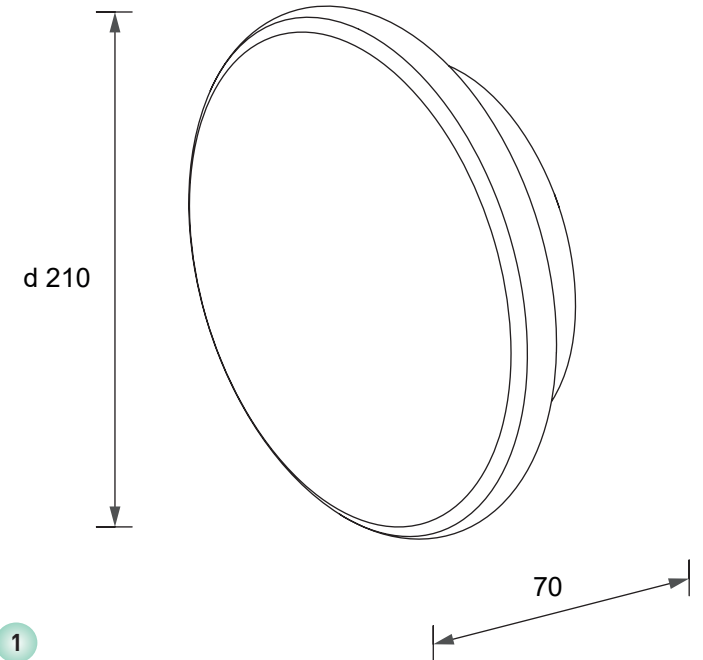
Housing:	Pressure die-cast aluminum alloy with polyester powder paint. Body and glass are fitted with silicone sealants.
Fasteners:	Stainless steel, T=2.00mm
Glass:	tempered glass, 3.0 mm
Optical system:	Optical lens. Efficiency >85%
Optics with angles:	61°-63°
Housing color:	Black, Grey, White
Operating temperature:	-40°C – +50°C (at startup: -20°C)
Weight:	0.55 kg/ 0.44 kg
Number of diodes (monochromatic)	1X5W

Article	Name	Power, W	Dimensions, mm	Beam angle°	Light flow, lm	Color rendering index	Power factor (PF)
69503010	Tonel Midi 8W 3000K 220V IP65	8 W	226 x 225 x 101	200°	248 lm	80	0,85

view



1 overall dimensions



size

ECLIPCE-W

LED outdoor wall-mounted lighting 10W, IP65.

The luminaire has an ergonomic and convenient design, and is suitable for accentual lighting.

Suitable for use as outdoor lighting. The driver and the power supply are located inside the housing.

Housing:	Pressure die-cast aluminum alloy with polyester powder paint. Body and glass are fitted with silicone sealants.
Fasteners:	Stainless steel, T=2.00mm
Glass:	tempered glass, 3.0 mm
Optical system:	Optical lens. Efficiency >85%
Optics with angles:	53°
Housing color:	Black, Grey, White
Operating temperature:	-40°C – +50°C (at startup: -20°C)
Weight:	0.88 kg
Number of diodes (monochromatic)	10X1W

Article	Name	Power, W	Dimensions, mm	Beam angle°	Light flow, lm	Color rendering index	Power factor (PF)
69503030	Eclipse-W 10W 3000K 220V IP65	10 W	210 x 70	53°	364 lm	80	0,92

ECLIPSE MOLE

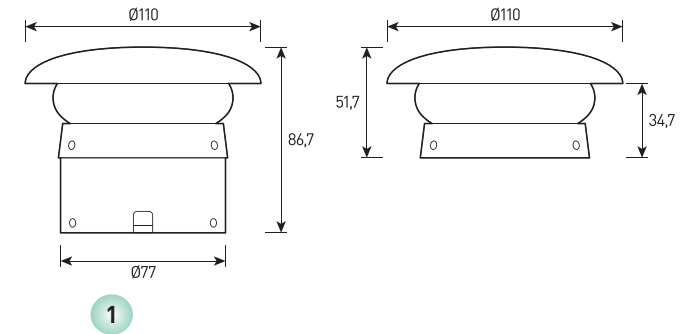


view



RAL

1 overall dimensions



size



ECLIPSE MOLE

Outdoor lighting with special lenses for decorative landscape and facade effects.

Housing:	Pressure die-cast aluminum alloy with polyester powder paint.
Housing color:	Grey, RAL
Beam angle:	360x10°
IES protection classes:	Class I (SELV)
Color temperature, K:	2700K, 3000K, 4000K, 5000K, 6000K, R, G, B, RGB, RGBW
Input voltage, V:	24V
Control system:	DMX-512
Ingress Protection Rating, IP:	IP66
Operating temperature:	-40°C ~ +50°C
Weight:	0,6-1,0kg

Article	Name	Power, W	Dimensions, mm	Input voltage, V	Beam angle, degrees	Color temperature, K	Weight, kg
816012014	ECLIPSE MOLE 6W Single color 24V IP66	6W	d110x52	24V	360x10°	2700K, 3000K, 4000K, 5000K, 6000K, R, G, B	0,6kg
816012016	ECLIPSE MOLE 9W RGB DMX-512 24V IP66	9W	d110x52	24V	360x10°	RGB	0,6kg
816012018	ECLIPSE MOLE 12W RGBW DMX-512 24V IP66	12W	d110x52	24V	360x10°	RGBW	0,6kg
816012020	ECLIPSE MOLE 6W Single color 24V IP66	6W	d110x87	24V	360x10°	2700K, 3000K, 4000K, 5000K, 6000K, R, G, B	1kg
816012022	ECLIPSE MOLE 9W RGB DMX-512 24V IP66	9W	d110x87	24V	360x10°	RGB	1kg
816012024	ECLIPSE MOLE 12W RGBW DMX-512 24V IP66	12W	d110x87	24V	360x10°	RGBW	1,6kg

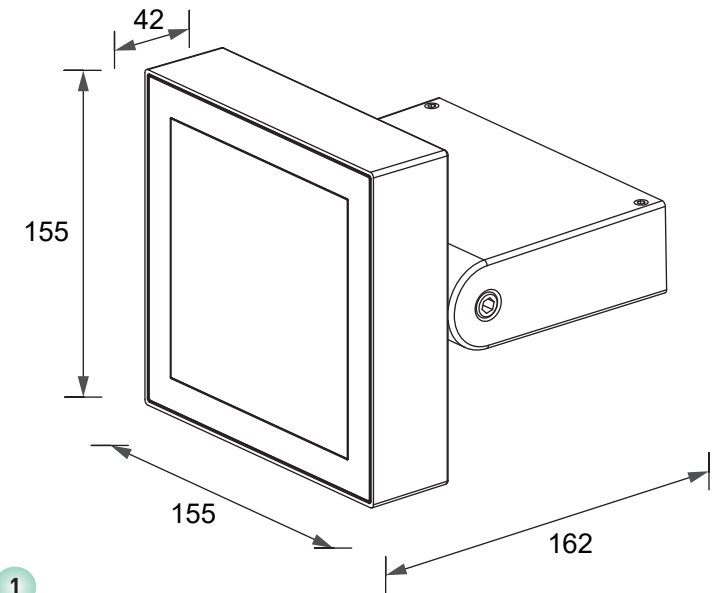
view



1 overall dimensions



size



SPINER

LED outdoor ceiling-wall lighting 16W, IP65.

The luminaire has an ergonomic and convenient design, and is suitable for accentual lighting.

Suitable for use as outdoor lighting. The driver and the power supply are located inside the housing. This allows mounting the luminaire on vertical and horizontal surfaces.

Housing:	Pressure die-cast aluminum alloy with polyester powder paint. Body and glass are fitted with silicone sealants.
Fasteners:	Stainless steel, T=2.00mm
Glass:	tempered glass, 3.0 mm
Optical system:	Optical lens. Efficiency >85%
Optics with angles:	49°
Housing color:	Black, Grey, White
Operating temperature:	-40°C – +50°C (at startup: -20°C)
Weight:	2 kg
Number of diodes (monochromatic)	16X1W

Article	Name	Power, W	Dimensions, mm	Beam angle°	Light flow, lm	Color rendering index	Power factor (PF)
69506110	Spiner 16W 220V IP65 3000K	16 W	155 x 162 x 155	49°	1001 lm	82	0,94

TABLERON W/S

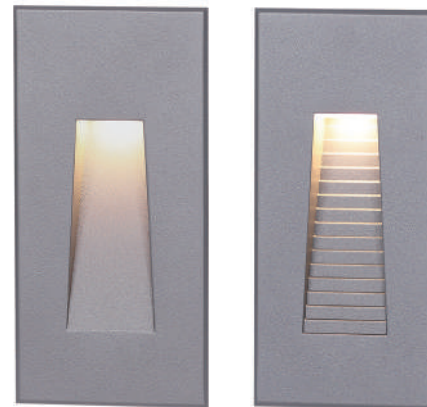
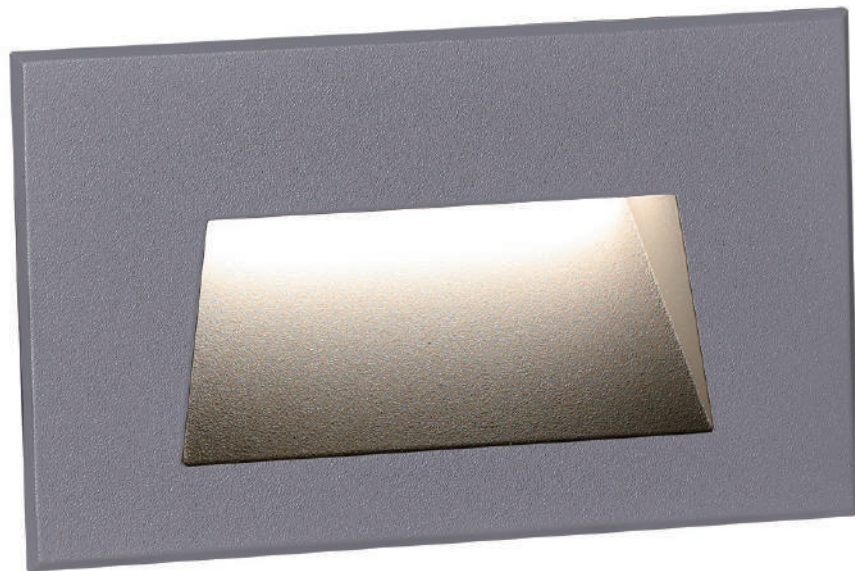
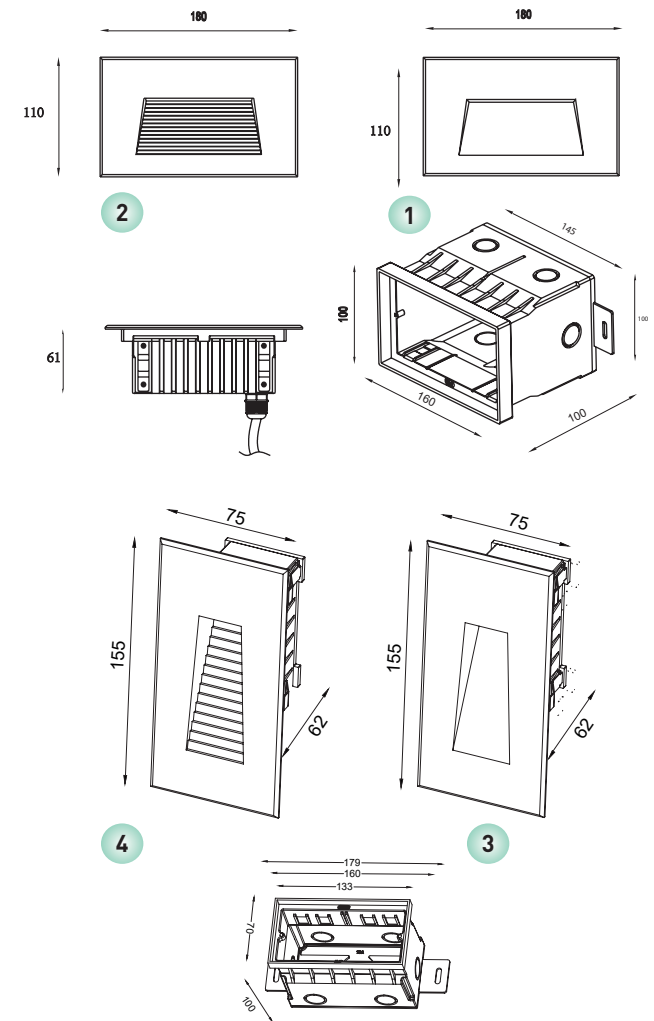


view



- 1 TABLERON W
- 2 TABLERON WG
- 3 TABLERON S
- 4 TABLERON SG

size



TABLERON W/S

Recessed LED IP65 lighting for accents at the stairs and walls.

Housing:	Pressure die-cast aluminum alloy with polyester powder paint
Front cover:	stainless steel
Glass:	Tempered glass, T= 3 mm
Housing color:	Black, Grey, Metallic
Beam angle:	120°
Color temperature, K:	2000K-6000K
Color rendering index, CRI:	>80
Input voltage, V:	24V, 220V
Control system:	PWM
Ingress Protection Rating, IP:	IP65
Operating temperature:	-40°C ~ +50°C
Guaranteed lifetime, hours:	>50 000h

Article	Name	Power, W	Dimensions, mm	Input voltage, V	Beam angle, degrees	Color temperature, K	Weight, kg
760004010	TABLERON W 4W 220V IP65	4W	180x110x61	24V\ 220V	120°	2000-6000K	1.1kg
760004020	TABLERON WG 4W 220V IP65	4W	180x110x61	24V\ 220V	120°	2000-6000K	1.1kg
760010003	TABLERON S 3W 220V IP65	3W	155x75x62	24V\ 220V	120°	2000-6000K	0.7kg
760020003	TABLERON SG 3W 220V IP65	3W	155x75x62	24V\ 220V	120°	2000-6000K	0.7kg

TABLERON SQ



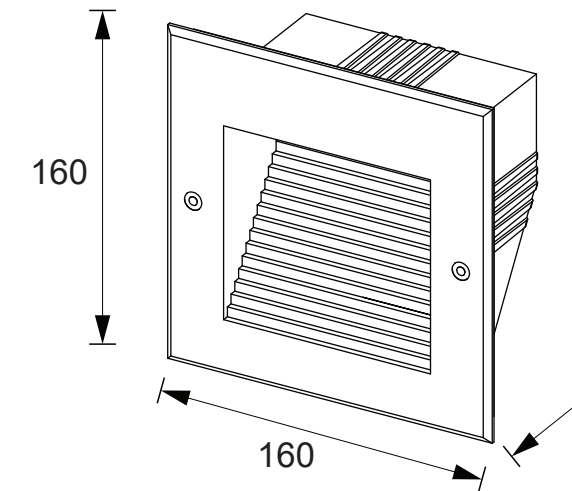
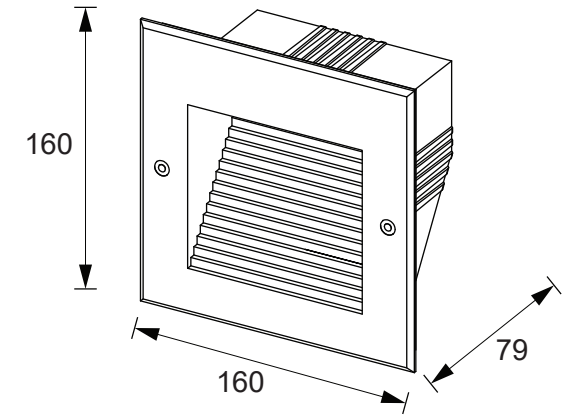
view



1 overall dimensions

1

size



TABLERON SQ

Recessed LED IP65 lighting for accents at the stairs and walls.

Housing:	Pressure die-cast aluminum alloy with polyester powder paint
Front cover:	stainless steel
Glass:	Tempered glass, T= 3 mm
Housing color:	Black, Grey, Metallic
Beam angle:	120°
Color temperature, K:	2000K-6000K
Color rendering index, CRI:	>80
Input voltage, V:	24V, 220V
Control system:	PWM
Ingress Protection Rating, IP:	IP65
Operating temperature:	-40°C ~ +50°C
Guaranteed lifetime, hours:	>50 000h

Article	Name	Power, W	Dimensions, mm	Input voltage, V	Beam angle, degrees	Color temperature, K	Weight, kg
760003010	TABLERON SQ 2W 220V IP65	2W	160x160x79	24V/220V	120°	2000K-6000K	1,83kg

TABLERON Z



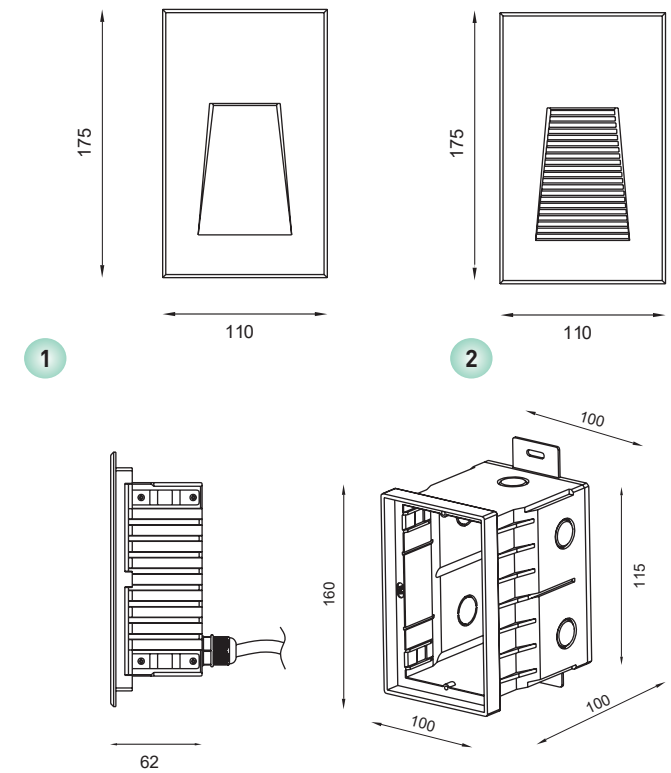
view



- 1 TABLERON Z
- 2 TABLERON ZG



size



TABLERON Z

Recessed LED IP65 lighting for accents at the stairs and walls.

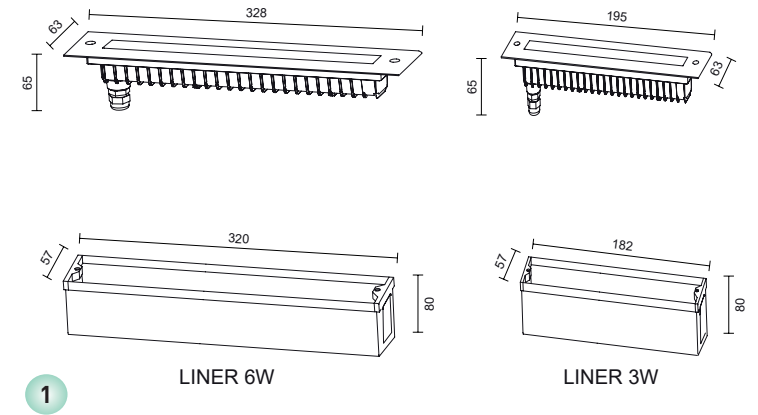
Housing:	Pressure die-cast aluminum alloy with polyester powder paint
Front cover:	stainless steel
Glass:	Tempered glass, T= 3 mm
Housing color:	Black, Grey, Metallic
Beam angle:	120°
Color temperature, K:	2000K-6000K
Color rendering index, CRI:	>80
Input voltage, V:	24V, 220V
Control system:	PWM
Ingress Protection Rating, IP:	IP65
Operating temperature:	-40°C ~ +50°C
Guaranteed lifetime, hours:	>50 000h

Article	Name	Power, W	Dimensions, mm	Input voltage, V	Beam angle, degrees	Color temperature, K	Weight, kg
760005010	TABLERON Z 5W 220V IP65	5W	175x100x62	24V\ 220V	120°	2000-6000K	1.1kg
760005020	TABLERON ZG 5W 220V IP65	5W	175x100x62	24V\ 220V	120°	2000-6000K	1.1kg

view



1 overall dimensions



size

LINER

Linear recessed LED IP67 projector 3W and 6W. Symmetric and asymmetric light flux distribution is available. It can withstand the load on the outer part up to 1290 kg.

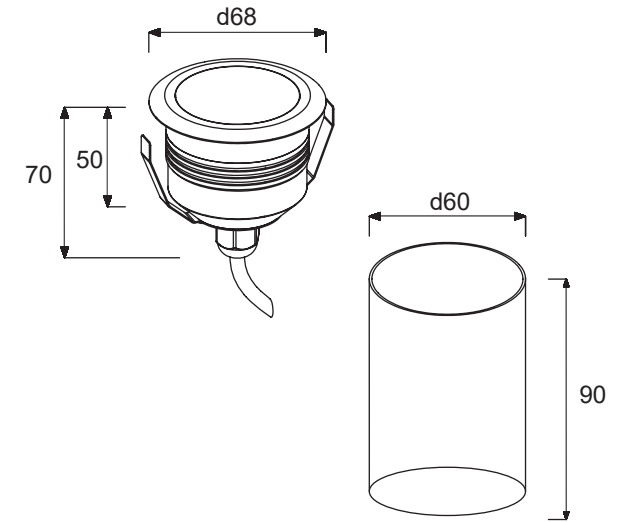
Housing:	Pressure die-cast aluminum alloy with polyester powder paint
Front cover	Stainless steel,
Glass:	tempered glass, 6.0 mm
Optical system:	Efficiency 85%
Housing color:	Metallic
Beam angle:	10°, 25°, 30°, 35x45°
Color temperature, K:	3000K, 4000K, 5000K, RGB
Input voltage, V:	24V, 220V
Ingress Protection Rating, IP:	IP67
Operating temperature:	-40°C ~ +50°C

Article	Name	Power, W	Dimensions, mm	Input voltage, V	Beam angle, degrees	Color temperature, K	Weight, kg
792006021	LINER 6W 328x63 24V IP67 symmetrical	6x1W	328x63x80	24V	3000K, 4000K, 5000K	10°, 25°	1.25kg
792006022	LINER 6W 328x63 220V IP67 symmetrical	6x1W	328x63x80	220V	3000K, 4000K, 5000K	10°, 25°	1.25kg
792006023	LINER 9W 328x63 24V IP67 RGB symmetrical	6x1,5W	328x63x80	24V	RGB	30°	1.25kg
792006024	LINER 3W 195x63 24V IP67 symmetrical	3x1W	195x63x80	24V	3000K, 4000K, 5000K	10°, 25°	1.1kg
792006025	LINER 3W 195x63 220V IP67 symmetrical	3x1W	195x63x80	220V	3000K, 4000K, 5000K	10°, 25°	1.1kg
792006026	LINER 4,5W 195x63 24V IP67 RGB symmetrical	3x1,5W	195x63x80	24V	RGB	30°	1.1kg
792006010	LINER 6W 328x63 24V IP67 asymmetrical	6x1W	328x63x80	24V	3000K, 4000K, 5000K	35x45°	1.25kg
792006013	LINER 9W 328x63 RGB 24V IP67 asymmetrical	6x1,5W	328x63x80	24V	RGB	35x45°	1.25kg
792005010	LINER 3W 195x63 24V IP67 asymmetrical	3x1W	195x63x80	24V	3000K, 4000K, 5000K	35x45°	1.1kg
792005013	LINER 4,5W 195x63 24V IP67 RGB asymmetrical	3x1,5W	195x63x80	24V	RGB	35x45°	1.1kg
792006020	LINER 6W 328x63 WW 220V IP67 asymmetrical	6x1W	328x63x80	220V	3000K, 4000K, 5000K	35x45°	1.25kg
792005020	LINER 3W 195x63 WW 220V IP67 asymmetrical	3x1W	195x63x80	220V	3000K, 4000K, 5000K	10°, 25°	1.1kg

view



1 overall dimensions



1

PIM

Recessed LED IP65 lighting for accents at the stairs and walls.

Housing:	Pressure die-cast aluminum alloy with polyester powder paint
Front cover:	stainless steel
Glass:	Tempered glass, T= 3 mm
Housing color:	Black, Grey, Metallic
Beam angle:	120°
Color temperature, K:	2000K-6000K
Color rendering index, CRI:	>80
Input voltage, V:	24V, 220V
Control system:	PWM
Ingress Protection Rating, IP:	IP65
Operating temperature:	-40°C ~ +50°C
Guaranteed lifetime, hours:	>50 000h

Article	Name	Power, W	Dimensions, mm	Input voltage, V	Beam angle, degrees	Color temperature, K	Weight, kg
810002010	PIM 2W SINGLE COLOR IP65	2W	d 65x50	24V, 220V	120°	2000K-6000K	0.25kg
810003010	PIM 3W RGB 3IN1 24V IP65	3W	d 65x50	24V	120°	RGB	0.25kg

RUNDEL QUADRO-W



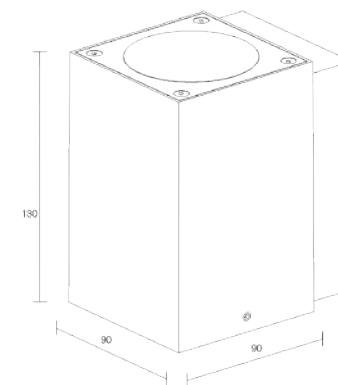
view



size

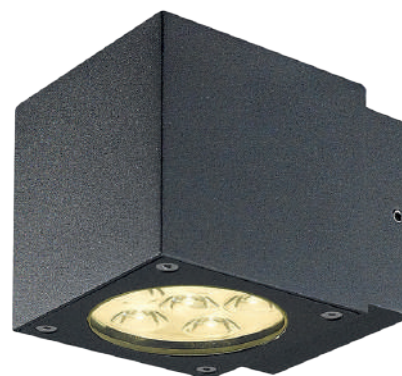
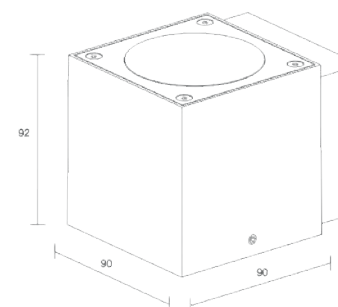
1 RUNDEL QUADRO-W DUO 12W

2 RUNDEL QUADRO-W MONO 6W



1

2



RUNDEL QUADRO-W

LED outdoor ceiling-wall lighting 6W and 12W, IP65.

The luminaire has an interesting and recognizable design, but also is a compact and convenient solution for floodlighting and accentual lighting of entry elements. Suitable for use as outdoor lighting instead of devices with gas-discharge lamps. The driver and the power supply are located inside the housing.

Housing:	Pressure die-cast aluminum alloy with polyester powder paint. Body and glass are fitted with silicone sealants.
Fasteners:	Stainless steel, T=2.00mm
Glass:	tempered glass, 3.0 mm
Optical system:	Optical lens. Efficiency >85%
Optics with angles:	61°-63°
Housing color:	Black, Grey, White
Operating temperature:	-40°C – +50°C (at startup: -20°C)
Weight:	1.41 kg/ 1.15 kg/ 0.70 kg
Number of diodes (monochromatic)	1X5W

Article	Name	Power, W	Dimensions, mm	Beam angle°	Light flow, lm	Color rendering index	Power factor (PF)
69507040	Rundel Quadro-W Duo 12W 220V IP65	12 W	90 x 90 x130	23°	872 lm	80	0,9
69507040	Rundel Quadro-W Mono 6W 220V IP65	6 W	90 x 90 x 92	25°	502 lm	80	0,53

RUNDEL ROUND-W M



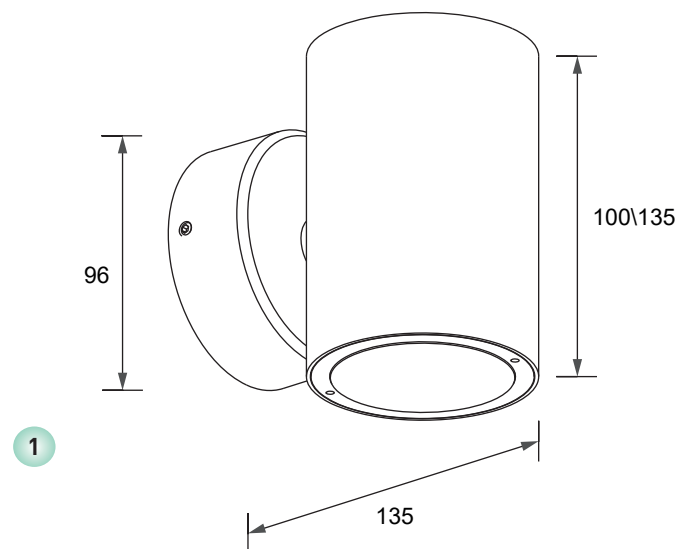
view



1 overall dimensions



size



RUNDEL ROUND-W M

LED outdoor wall-mounted lighting 6W or 12W, IP65.

The luminaire has an ergonomic and convenient design, and is suitable for accentual lighting.

Suitable for use as outdoor lighting. The driver and the power supply are located inside the housing.

Housing:	Pressure die-cast aluminum alloy with polyester powder paint. Body and glass are fitted with silicone sealants.
Fasteners:	Stainless steel, T=2.00mm
Glass:	tempered glass, 3.0 mm
Optical system:	Optical lens. Efficiency >85%
Optics with angles:	61°-63°
Housing color:	Black, Grey, White
Operating temperature:	-40°C – +50°C (at startup: -20°C)
Weight:	1.41 kg/ 1.15 kg/ 0.70 kg
Number of diodes (monochromatic)	1X5W

Article	Name	Power, W	Dimensions, mm	Beam angle°	Light flow, lm	Color rendering index	Power factor (PF)
69507050	Rundel Round-W Duo M 12W 3000K 220V IP65	12 W	135 x 135 x96	23°	872 lm	80	0,9
69507060	Rundel Round-W Mono M 6W 3000K 220V IP65	6 W	95 x 95	25°	145 lm	80	0,53



CEILING LIGHTS



ROMUS SKIFF



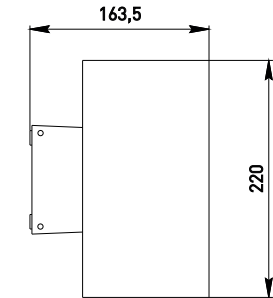
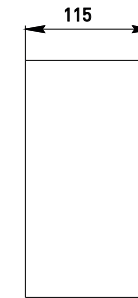
view



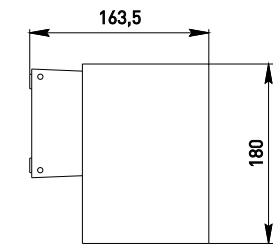
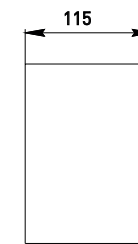
- 1 ROMUS SKIFF TWIN
- 2 ROMUS SKIFF SINGLE
- 3 ROMUS SKIFF TOP



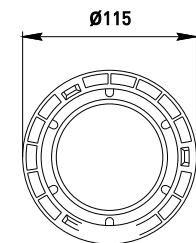
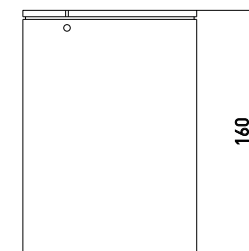
size



1



2



3

ROMUS SKIFF

LED wall luminaire for architectural lighting.

Housing:	Pressure die-cast aluminum alloy with polyester powder paint
Housing color:	Black, White, RAL
Beam angle:	12°, 15°, 24°, 36°, 60°
IES protection classes:	Class I (SELV)
Color temperature, K:	2700K, 3000K, 4000K, 5000K, 6000K
Input voltage, V:	220V
Control system:	On/Off, 1-10V
Ingress Protection Rating, IP:	IP65
Operating temperature:	-40°C ~ +50°C
Weight:	1,7-2,5kg

Article	Name	Power, W	Dimensions, mm	Input voltage, V	Beam angle, degrees	Color temperature, K	Weight, kg
644012011	ROMUS SKIFF S SINGLE 1x10W 220V IP65	12W	d115x118	220V	12°, 15°, 24°, 36°, 60°	2700K, 3000K, 4000K, 5000K, 6000K	1,8
644012013	ROMUS SKIFF M SINGLE 1x18W 220V IP65	18W	d115x118	220V	12°, 15°, 24°, 36°, 60°	2700K, 3000K, 4000K, 5000K, 6000K	1,8
644012015	ROMUS SKIFF L SINGLE 1x24W 220V IP65	24W	d115x118	220V	12°, 15°, 24°, 36°, 60°	2700K, 3000K, 4000K, 5000K, 6000K	1,8
644012017	ROMUS SKIFF S TWIN 2x9W 220V IP65	18W	d115x220	220V	12°, 15°, 24°, 36°, 60°	2700K, 3000K, 4000K, 5000K, 6000K	2,2
644012019	ROMUS SKIFF M TWIN 2x12W 220V IP65	24W	d115x220	220V	12°, 15°, 24°, 36°, 60°	2700K, 3000K, 4000K, 5000K, 6000K	2,2
644012021	ROMUS SKIFF S TOP 1x12W 220V IP65	12W	d115x160	220V	12°, 15°, 24°, 36°, 60°	2700K, 3000K, 4000K, 5000K, 6000K	1,4
644012023	ROMUS SKIFF M TOP 1x18W 220V IP65	18W	d115x160	220V	12°, 15°, 24°, 36°, 60°	2700K, 3000K, 4000K, 5000K, 6000K	1,4
644012025	ROMUS SKIFF L TOP 1x24W 220V IP65	24W	d115x160	220V	12°, 15°, 24°, 36°, 60°	2700K, 3000K, 4000K, 5000K, 6000K	1,4

RUNDEL ROUND-C



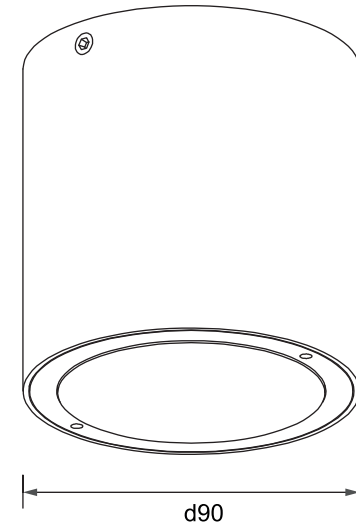
view



1 overall dimensions



size



RUNDEL ROUND-C

LED outdoor ceiling-wall lighting 7W, IP65.

The luminaire has an interesting and recognizable design, but also is a compact and convenient solution for floodlighting and accentual lighting of entry elements. Suitable for use as outdoor lighting instead of devices with gas-discharge lamps. The driver and the power supply are located inside the housing.

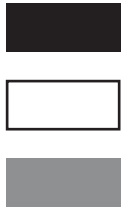
Housing:	Pressure die-cast aluminum alloy with polyester powder paint. Body and glass are fitted with silicone sealants.
Fasteners:	Stainless steel, T=2.00mm
Glass:	tempered glass, 3.0 mm
Optical system:	Optical lens. Efficiency >85%
Optics with angles:	19°
Housing color:	Black, Grey, White
Operating temperature:	-40°C – +45°C (at startup: -20°C)
Weight:	1.22 kg
Number of diodes (monochromatic)	1X7W

Article	Name	Power, W	Dimensions, mm	Beam angle°	Light flow, lm	Color rendering index	Power factor (PF)
69507070	Rundel Round-C COB 7W 3000K 220V IP65	7 W	90 x 95	19°	373 lm	82	0,53
69507080	Rundel Round-C SMD M 6W 220V IP65	6W	90 x 95	25°		82	

RUNDEL QUADRO-C

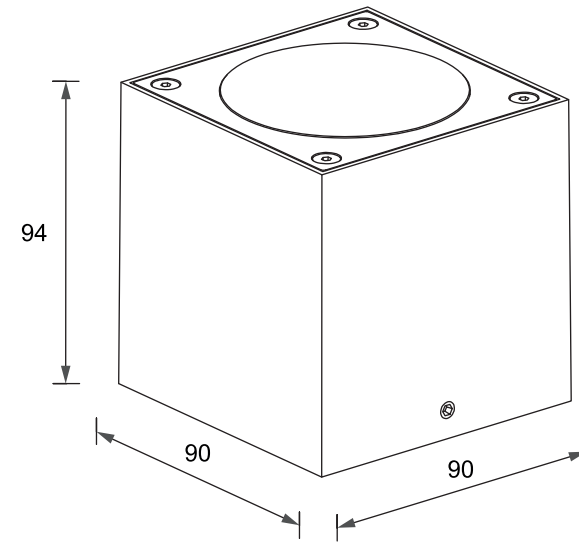


view



1 overall dimensions

size



1

RUNDEL QUADRO-C

LED outdoor ceiling-wall lighting 7W, IP65.

The luminaire has an interesting and recognizable design, but also is a compact and convenient solution for floodlighting and accentual lighting of entry elements. Suitable for use as outdoor lighting instead of devices with gas-discharge lamps. The driver and the power supply are located inside the housing.

Housing:	Pressure die-cast aluminum alloy with polyester powder paint. Body and glass are fitted with silicone sealants.
Fasteners:	Stainless steel, T=2.00mm
Glass:	tempered glass, 3.0 mm
Optical system:	Optical lens. Efficiency >85%
Optics with angles:	19°
Housing color:	Black, Grey, White
Operating temperature:	-40°C – +50°C (at startup: -20°C)
Weight:	1.22 kg
Number of diodes (monochromatic)	1X7W

Article	Name	Power, W	Dimensions, mm	Beam angle°	Light flow, lm	Color rendering index	Power factor (PF)
69507040	Rundel Quadro-C COB 7W 3000K 220V IP65	7 W	90 x 94 x 90	19°	373 lm	82	0,53
69507030	Rundel Quadro-C SMD 6W 220V IP65	6W	90 x 94	25°		82	

SOFTEYE ROUND

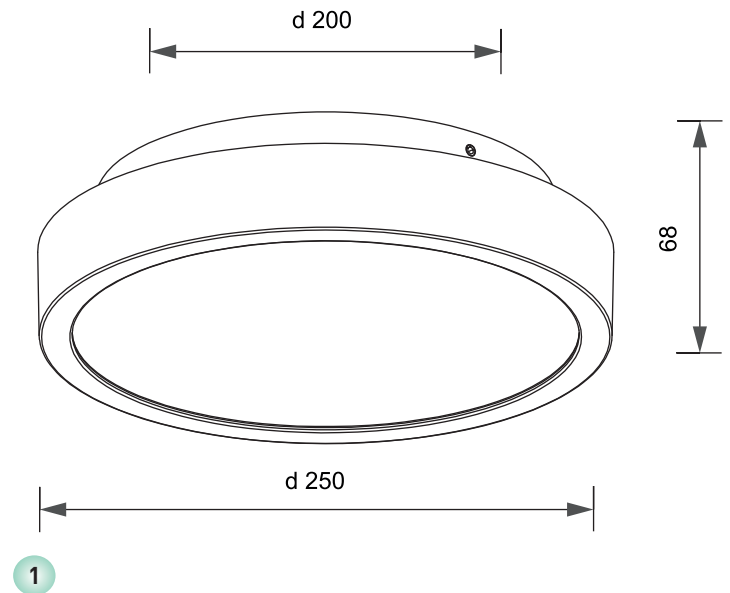


view



size

1 overall dimensions



SOFTEYE ROUND

LED outdoor ceiling-wall lighting 18W, IP65.

The luminaire is a compact and convenient solution for floodlighting and accentual lighting of entry elements.

Suitable for use as outdoor lighting instead of devices with gas-discharge lamps. The driver and the power supply are located inside the housing.

Housing:	Pressure die-cast aluminum alloy with polyester powder paint. Body and glass are fitted with silicone sealants.
Fasteners:	Stainless steel, T=2.00mm
Glass:	tempered glass, 3.0 mm
Optical system:	Optical lens. Efficiency >85%
Optics with angles:	109°.
Housing color:	Black, Grey, White
Operating temperature:	-40°C – +50°C (at startup: -20°C)
Weight:	1.78 kg
Number of diodes (monochromatic):	100

Article	Name	Power, W	Dimensions, mm	Beam angle°	Light flow, lm	Color rendering index	Power factor (PF)
69505010	SoftEye Round 18W 4000K 220V IP65	18 W	250 x 68	109°	1120 lm	74	0,96

SOFTEYE QUADRO

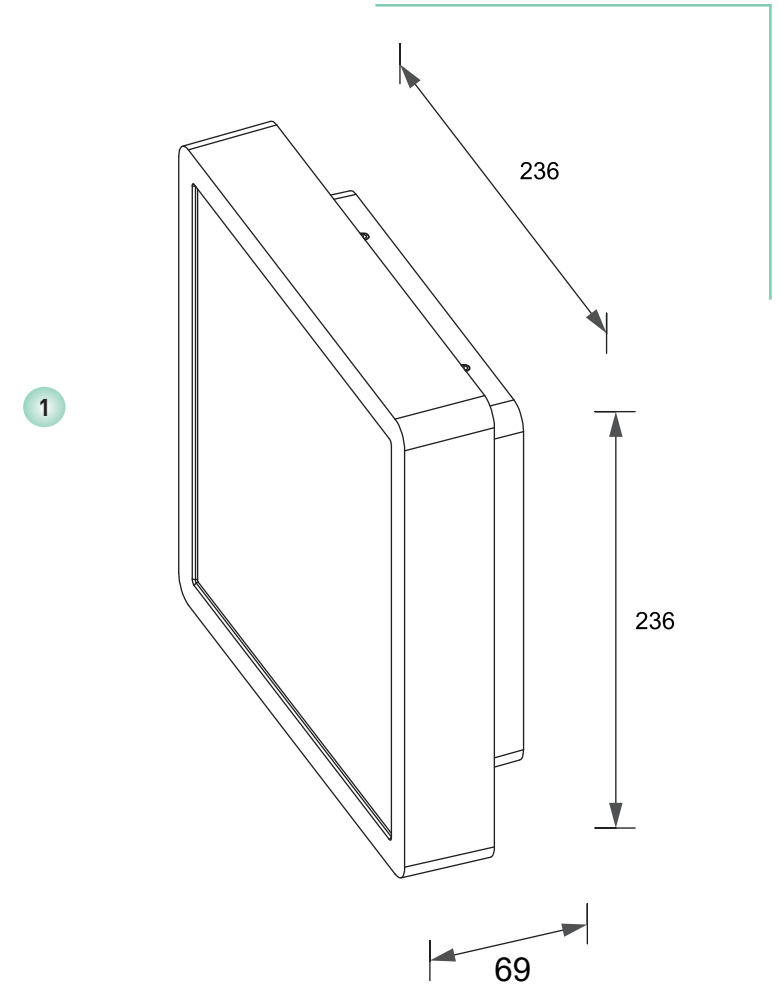
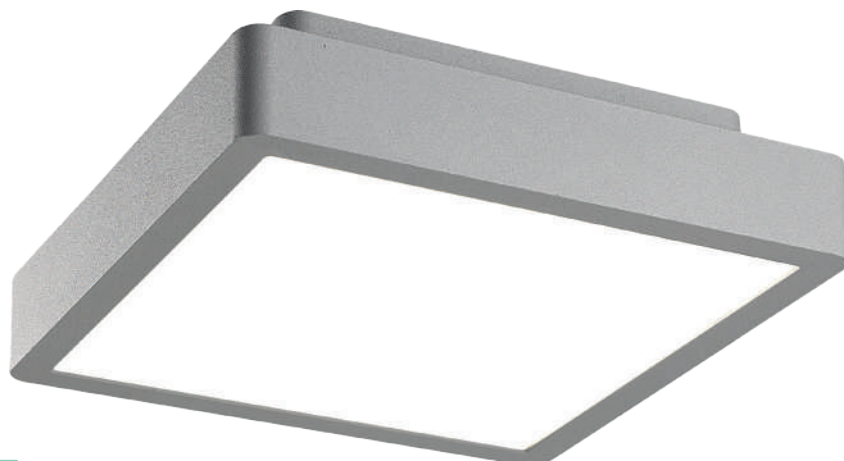


view



1 overall dimensions

size



SOFTEYE QUADRO

LED outdoor ceiling-wall lighting 18W, IP65.

The luminaire is a compact and convenient solution for floodlighting and accentual lighting of entry elements.

Suitable for use as outdoor lighting instead of devices with gas-discharge lamps. The driver and the power supply are located inside the housing.

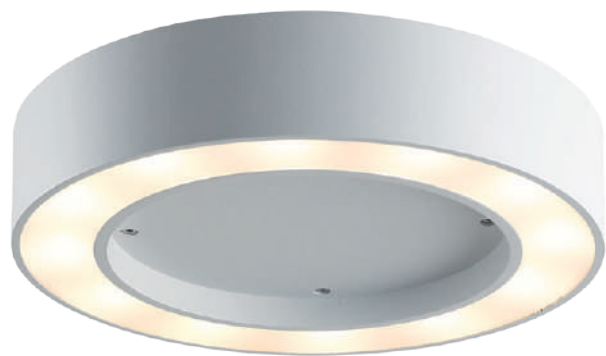
Housing:	Pressure die-cast aluminum alloy with polyester powder paint. Body and glass are fitted with silicone sealants.
Fasteners:	Stainless steel, T=2.00mm
Glass:	tempered glass, 3.0 mm
Optical system:	Optical lens. Efficiency >85%
Optics with angles:	110°.
Housing color:	Black, Grey, White
Operating temperature:	-40°C – +50°C (at startup: -20°C)
Weight:	1.78 kg
Number of diodes (monochromatic):	100

Article	Name	Power, W	Dimensions, mm	Beam angle°	Light flow, lm	Color rendering index	Power factor (PF)
69505015	SoftEye Quadro 18W 4000K 220V IP65	18 W	236 x 69	110°	1107 lm	74	0,95

ANGELEYE ROUND

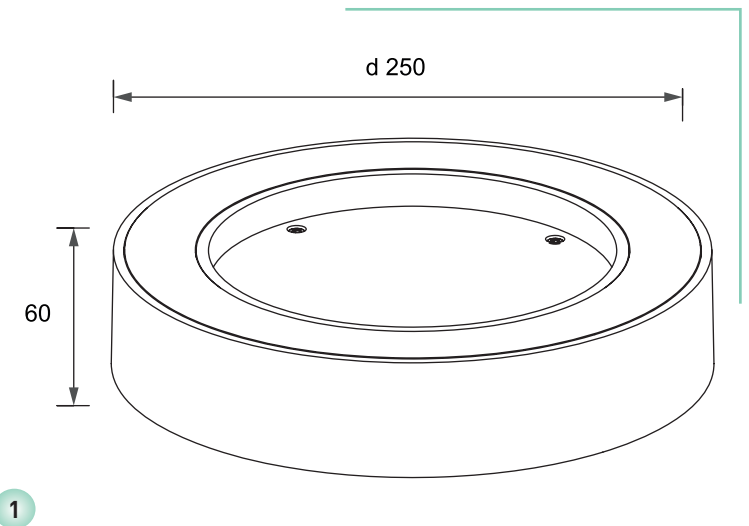


view



1 overall dimensions

size



ANGELEYE ROUND

LED outdoor ceiling-wall lighting 24W, IP65.

The luminaire has an interesting and recognizable design, but also is a compact and convenient solution for floodlighting and accentual lighting of entry elements. Suitable for use as outdoor lighting instead of devices with gas-discharge lamps. The driver and the power supply are located inside the housing.

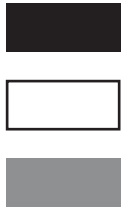
Housing:	Pressure die-cast aluminum alloy with polyester powder paint. Body and glass are fitted with silicone sealants.
Fasteners:	Stainless steel, T=2.00mm
Glass:	tempered glass, 3.0 mm
Optical system:	Optical lens. Efficiency >85%
Optics with angles:	80°.
Housing color:	Black, Grey, White
Operating temperature:	-40°C – +50°C (at startup: -20°C)
Weight:	1.42 kg
Number of diodes (monochromatic):	12X2W

Article	Name	Power, W	Dimensions, mm	Beam angle°	Light flow, lm	Color rendering index	Power factor (PF)
69505020	AngelEye Round 24W 3000K 220V IP65	24 W	253 x 60	80°	556 lm	86	0,95

ANGELEYE QUADRO

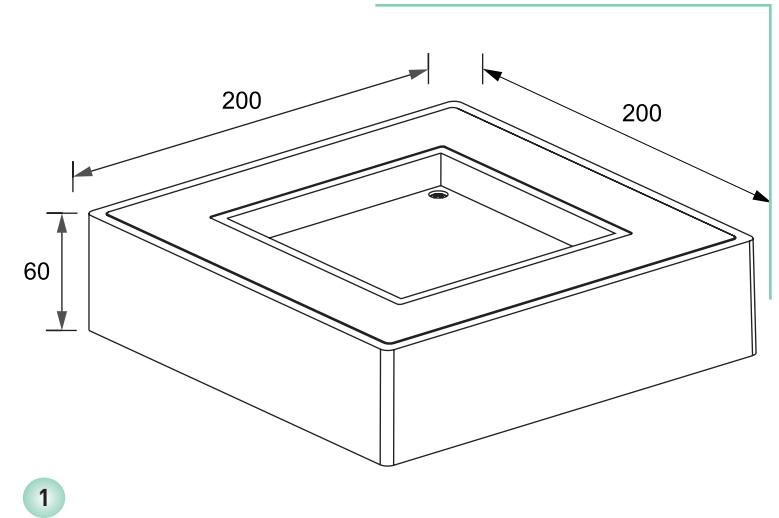


view



1 overall dimensions

size



ANGELEYE QUADRO

LED outdoor ceiling-wall lighting 24W, IP65.

The luminaire has an interesting and recognizable design, but also is a compact and convenient solution for floodlighting and accentual lighting of entry elements. Suitable for use as outdoor lighting instead of devices with gas-discharge lamps. The driver and the power supply are located inside the housing.

Housing:	Pressure die-cast aluminum alloy with polyester powder paint. Body and glass are fitted with silicone sealants.
Fasteners:	Stainless steel, T=2.00mm
Glass:	tempered glass, 3.0 mm
Optical system:	Optical lens. Efficiency >85%
Optics with angles:	80°.
Housing color:	Black, Grey, White
Operating temperature:	-40°C – +50°C (at startup: -20°C)
Weight:	1.22 kg
Number of diodes (monochromatic)	12X2W

Article	Name	Power, W	Dimensions, mm	Beam angle°	Light flow, lm	Color rendering index	Power factor (PF)
69505025	AngelEye Quadro 24W 3000K 220V IP65	24 W	253 x 60	80°	556 lm	86	0,95

MIO BELMOR Round



view



MIO BELMOR



1 MIO BELMOR Round S

2 MIO BELMOR Round M

3 MIO BELMOR Round L

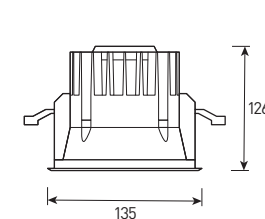
4 cut hole



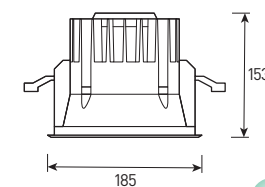
MIO BELMOR (R)



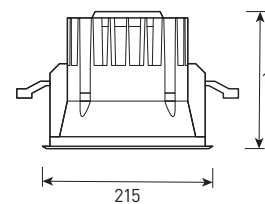
MIO BELMOR (2R)



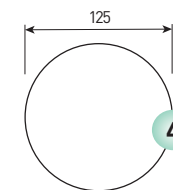
1



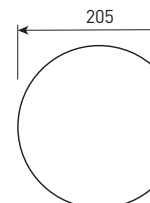
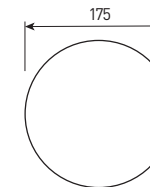
2



3



4



size

MIO BELMOR Round

Recessed LED spotlight.

Housing:	Pressure die-cast aluminum alloy with polyester powder paint
Housing color:	Grey
Beam angle:	7°, 10°, 13°, 15°, 20°, 21°, 30°, 34°, 40°
IES protection classes:	Class I (SELV)
Color temperature, K:	2200K, 2700K, 3000K, 3500K, 4000K, 5000K, 6500K, R, G, B, RGB 3in1
Input voltage, V:	24V, 220V
Control system:	On/Off, 1-10V, DALI, DMX-512, PWM
Ingress Protection Rating, IP:	IP67
Operating temperature:	-40°C ~ +50°C
Weight:	1,5-3,6kg

Article	Name	Power, W	Dimensions, mm	Input voltage, V	Beam angle, degrees	Color temperature, K	Weight, kg
533038026	MIO BELMOR S 9W 24V/220V IP67 Single color	9W	d135x126	24V/220V	7°, 13°, 21°, 34°, 40°	2200K, 2700K, 3000K, 3500K, 4000K, 5000K, 6500K	1,5
533038028	MIO BELMOR S 9W 24V DMX-512 IP67 RGB 3 in 1	9W	d135x126	24V	7°, 13°, 21°, 34°, 40°	RGB	1,5
533038030	MIO BELMOR S(R) 7W 24V/220V IP67 Single color	7W	d135x126	24V/220V	7°, 13°, 21°, 34°, 40°	2200K, 2700K, 3000K, 3500K, 4000K, 5000K, 6500K	1,5
533038032	MIO BELMOR S(R) 7W 24V DMX-512 IP67 RGB 3 in 1	7W	d135x126	24V	7°, 13°, 21°, 34°, 40°	RGB	1,5
533038034	MIO BELMOR S(2R) 8W 24V/220V IP67 Single color	8W	d135x126	24V/220V	10°, 15°, 20°, 30°	2200K, 2700K, 3000K, 3500K, 4000K, 5000K, 6500K	1,5
533038036	MIO BELMOR S(2R) 8W 24V DMX-512 IP67 RGB 3 in 1	8W	d135x126	24V	10°, 15°, 20°, 30°	RGB	1,5
533038038	MIO BELMOR M 18W 24V/220V IP67 Single color	18W	d185x153	24V/220V	7°, 13°, 21°, 34°, 40°	2200K, 2700K, 3000K, 3500K, 4000K, 5000K, 6500K	2,2
533038040	MIO BELMOR M 18W 24V DMX-512 IP67 RGB 3 in 1	18W	d185x153	24V	7°, 13°, 21°, 34°, 40°	RGB	2,2
533038042	MIO BELMOR M(R) 15W 24V/220V IP67 Single color	15W	d185x153	24V/220V	7°, 13°, 21°, 34°, 40°	2200K, 2700K, 3000K, 3500K, 4000K, 5000K, 6500K	2,2
533038044	MIO BELMOR M(R) 15W 24V DMX-512 IP67 RGB 3 in 1	15W	d185x153	24V	7°, 13°, 21°, 34°, 40°	RGB	2,2
533038046	MIO BELMOR M(2R) 15W 24V/220V IP67 Single color	15W	d185x153	24V/220V	10°, 15°, 20°, 30°	2200K, 2700K, 3000K, 3500K, 4000K, 5000K, 6500K	2,2
533038048	MIO BELMOR M(2R) 15W 24V DMX-512 IP67 RGB 3 in 1	15W	d185x153	24V	10°, 15°, 20°, 30°	RGB	2,2
533038050	MIO BELMOR L 38W 24V/220V IP67 Single color	38W	d215x173	24V/220V	7°, 13°, 21°, 34°, 40°	2200K, 2700K, 3000K, 3500K, 4000K, 5000K, 6500K	3,3
533038052	MIO BELMOR L 38W 24V DMX-512 IP67 RGB 3 in 1	38W	d215x173	24V	7°, 13°, 21°, 34°, 40°	RGB	3,3
533038054	MIO BELMOR L(R) 26W 24V/220V IP67 Single color	26W	d215x173	24V/220V	7°, 13°, 21°, 34°, 40°	2200K, 2700K, 3000K, 3500K, 4000K, 5000K, 6500K	3,3
533038056	MIO BELMOR L(R) 26W 24V DMX-512 IP67 RGB 3 in 1	26W	d215x173	24V	7°, 13°, 21°, 34°, 40°	RGB	3,3
533038058	MIO BELMOR L(2R) 26W 24V/220V IP67 Single color	26W	d215x173	24V/220V	10°, 15°, 20°, 30°	2200K, 2700K, 3000K, 3500K, 4000K, 5000K, 6500K	3,3
533038060	MIO BELMOR L(2R) 26W 24V DMX-512 IP67 RGB 3 in 1	26W	d215x173	24V	10°, 15°, 20°, 30°	RGB	3,3

MIO BELMOR Quadro



view



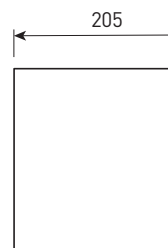
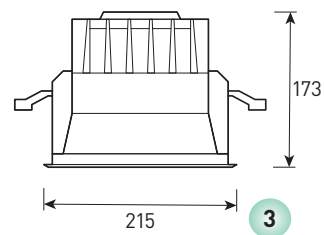
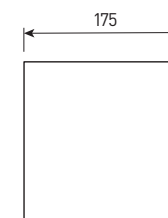
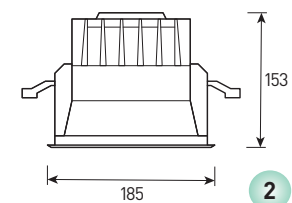
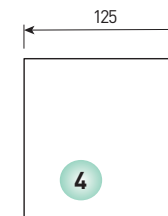
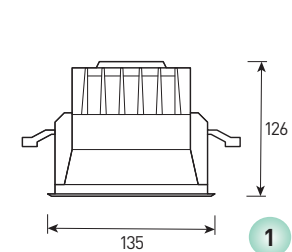
size

1 MIO BELMOR Quadro S

2 MIO BELMOR Quadro M

3 MIO BELMOR Quadro L

4 cut hole



MIO BELMOR



MIO BELMOR (R)



MIO BELMOR (2R)

MIO BELMOR Quadro

Recessed LED spotlight.

Housing:	Pressure die-cast aluminum alloy with polyester powder paint
Housing color:	Grey
Beam angle:	7°, 10°, 13°, 15°, 20°, 21°, 30°, 34°, 40°
IES protection classes:	Class I (SELV)
Color temperature, K:	2200K, 2700K, 3000K, 3500K, 4000K, 5000K, 6500K, R, G, B, RGB 3in1
Input voltage, V:	24V, 220V
Control system:	On/Off, 1-10V, DALI, DMX-512, PWM
Ingress Protection Rating, IP:	IP67
Operating temperature:	-40°C ~ +50°C
Weight:	1,5-3,6kg

Article	Name	Power, W	Dimensions, mm	Input voltage, V	Beam angle, degrees	Color temperature, K	Weight, kg
533038062	MIO BELMOR S Quadro 8W 24V/220V IP67 Single color	8W	135x135x126	24V/220V	7°, 13°, 21°, 34°, 40°	2200K, 2700K, 3000K, 3500K, 4000K, 5000K, 6500K	1,6
533038064	MIO BELMOR S Quadro 8W 24V DMX-512 IP67 RGB 3 in 1	8W	135x135x126	24V	7°, 13°, 21°, 34°, 40°	RGB	1,6
533038066	MIO BELMOR S[R] Quadro 8W 24V/220V IP67 Single color	8W	135x135x126	24V/220V	7°, 13°, 21°, 34°, 40°	2200K, 2700K, 3000K, 3500K, 4000K, 5000K, 6500K	1,6
533038068	MIO BELMOR S[R] Quadro 8W 24V/ DMX-512 IP67 RGB 3 in 1	8W	135x135x126	24V	7°, 13°, 21°, 34°, 40°	RGB	1,6
533038070	MIO BELMOR S[2R] Quadro 8W 24V/220V IP67 Single color	8W	135x135x126	24V/220V	10°, 15°, 20°, 30°	2200K, 2700K, 3000K, 3500K, 4000K, 5000K, 6500K	1,6
533038072	MIO BELMOR S[2R] Quadro 8W 24V DMX-512 IP67 RGB 3 in 1	8W	135x135x126	24V	10°, 15°, 20°, 30°	RGB	1,6
533038074	MIO BELMOR M Quadro 23W 24V/220V IP67 Single color	23W	185x185x153	24V/220V	7°, 13°, 21°, 34°, 40°	2200K, 2700K, 3000K, 3500K, 4000K, 5000K, 6500K	2,3
533038076	MIO BELMOR M Quadro 23W 24V DMX-512 IP67 RGB 3 in 1	23W	185x185x153	24V	7°, 13°, 21°, 34°, 40°	RGB	2,3
533038078	MIO BELMOR M[R] Quadro 21W 24V/220V IP67 Single color	21W	185x185x153	24V/220V	7°, 13°, 21°, 34°, 40°	2200K, 2700K, 3000K, 3500K, 4000K, 5000K, 6500K	2,3
533038080	MIO BELMOR M[R] Quadro 21W 24V DMX-512 IP67 RGB 3 in 1	21W	185x185x153	24V	7°, 13°, 21°, 34°, 40°	RGB	2,3
533038082	MIO BELMOR M[2R] Quadro 21W 24V/220V IP67 Single color	21W	185x185x153	24V/220V	10°, 15°, 20°, 30°	2200K, 2700K, 3000K, 3500K, 4000K, 5000K, 6500K	2,3
533038084	MIO BELMOR M[2R] Quadro 21W 24V DMX-512 IP67 RGB 3 in 1	21W	185x185x153	24V	10°, 15°, 20°, 30°	RGB	2,3
533038086	MIO BELMOR L Quadro 40W 24V/220V IP67 Single color	40W	215x215x173	24V/220V	7°, 13°, 21°, 34°, 40°	2200K, 2700K, 3000K, 3500K, 4000K, 5000K, 6500K	3,5
533038088	MIO BELMOR L Quadro 40W 24V DMX-512 IP67 RGB 3 in 1	40W	215x215x173	24V	7°, 13°, 21°, 34°, 40°	RGB	3,5
533038090	MIO BELMOR L[R] Quadro 30W 24V/220V IP67 Single color	30W	215x215x173	24V/220V	7°, 13°, 21°, 34°, 40°	2200K, 2700K, 3000K, 3500K, 4000K, 5000K, 6500K	3,5
533038092	MIO BELMOR L[R] Quadro 30W 24V DMX-512 IP67 RGB 3 in 1	30W	215x215x173	24V	7°, 13°, 21°, 34°, 40°	RGB	3,5
533038094	MIO BELMOR L[2R] Quadro 30W 24V/220V IP67 Single color	30W	215x215x173	24V/220V	10°, 15°, 20°, 30°	2200K, 2700K, 3000K, 3500K, 4000K, 5000K, 6500K	3,5
533038096	MIO BELMOR L[2R] Quadro 30W 24V DMX-512 IP67 RGB 3 in 1	30W	215x215x173	24V	10°, 15°, 20°, 30°	RGB	3,5



INGROUND
LIGHTS



view



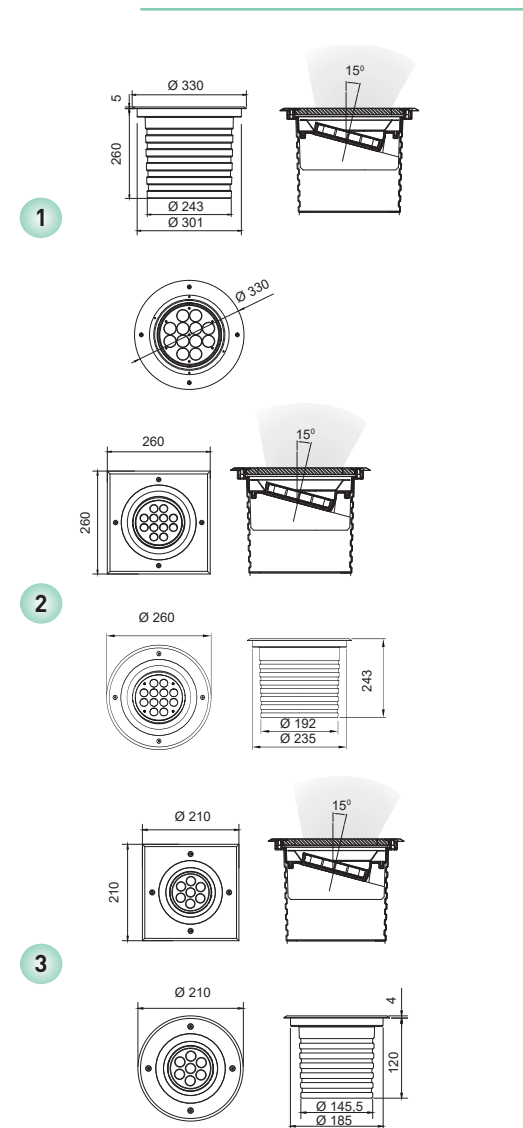
1 RALLUS 42W-100W

2 RALLUS 32W

3 RALLUS 16W



size



RALLUS

The adjustable optical part of the RALLUS series allows to direct the light flux to the object with optimal accuracy.

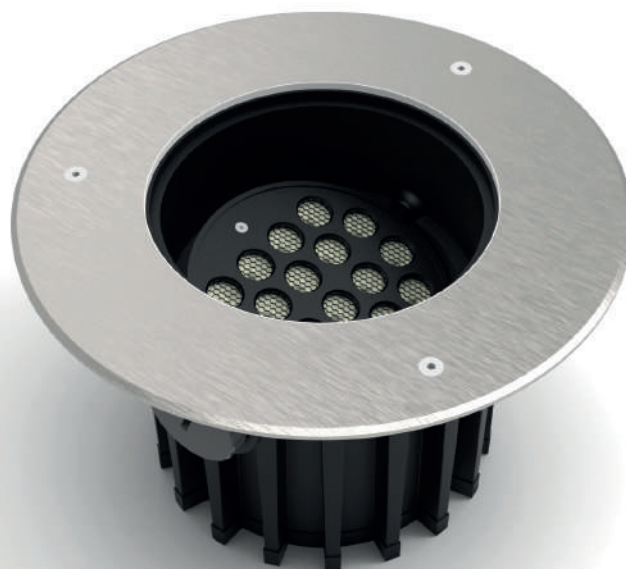
Housing:	Pressure die-cast aluminum alloy with polyester powder paint
Fronted cover:	stainless steel 2.0 mm
Glass:	Tempered glass, T=10 mm
Beam angle:	3.5°, 5°, 12.5°, 20°, 30°, 45°, 60°, 15x30°, 10x60°
Housing color:	Metallic
Color temperature, K:	3000K, 4000K, 5600K, RGB, RGBW
Input voltage, V:	24V, 220V
Control system:	Switch On\Off, DMX-512
Ingress Protection Rating, IP:	IP67
Operating temperature:	-40°C ~ +50°C
Guaranteed lifetime, hours:	>50 000h

Article	Name	Power, W	Dimensions, mm	Input voltage, V	Beam angle, degrees	Color temperature, K	Weight, kg
79116101	RALLUS 16W 220V IP67	16W	d210x124	220V	5°, 12.5°, 20°, 30°, 45°, 60°, 15x30°, 10x60°	3000K, 4000K, 5600K	2.3kg
79116201	RALLUS 16W 24V RGB DMX-512 IP67	16W	d210x124	24V	5°, 12.5°, 20°, 30°, 45°, 60°, 15x30°, 10x60°	RGB	2.3kg
79132101	RALLUS 32W 220V IP67	32W	d 260x243	220V	5°, 12.5°, 20°, 30°, 45°, 60°, 15x30°, 10x60°	3000K, 4000K, 5600K	4.5kg
79132201	RALLUS 32W 24V RGB DMX-512 IP67	32W	d 260x243	24V	5°, 12.5°, 20°, 30°, 45°, 60°, 15x30°, 10x60°	RGB	4.5kg
79142101	RALLUS 42W 220V IP67	42W	d 330x265	220V	3.5°, 5°, 12°, 20°, 30°, 45°, 60°, 15x30°, 10x60°	3000K, 4000K, 5600K	9kg
79142201	RALLUS 42W 24V RGB DMX-512 IP67	42W	d 330x265	24V	5°, 12.5°, 20°, 30°, 45°, 60°, 15x30°, 10x60°	RGB	9kg
79142301	RALLUS 42W 24V RGBW DMX-512 IP67	42W	d 330x265	24V	3.5°, 12°, 20°, 30°	RGBW	9kg
79160101	RALLUS 60W 220V IP67	60W	d 330x265	220V	3.5°, 5°, 12°, 20°, 30°, 45°, 60°, 15x30°, 10x60°	3000K, 4000K, 5600K	9kg
79160201	RALLUS 60W 24V RGB 4in1 DMX-512 IP67	60W	d 330x265	24V	5°, 12.5°, 20°, 30°, 45°, 60°, 15x30°, 10x60°	RGB	9kg
79160301	RALLUS 60W 24V RGBW 4in1 DMX-512 IP67	60W	d 330x265	24V	3.5°, 12°, 20°, 30°	RGBW	9kg
791100010	RALLUS 100W 24V RGB 4in1 DMX-512 IP67	100W	d 330x265	24V	5°, 12.5°, 20°, 30°, 45°, 60°, 15x30°, 10x60°	RGB	9kg
791100020	RALLUS 100W 24V RGBW 4in1 DMX-512 IP67	100W	d 330x265	24V	3.5°, 12°, 20°, 30°	RGBW	9kg

RALLUS AXEL

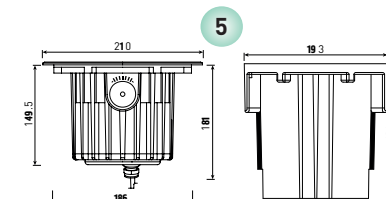
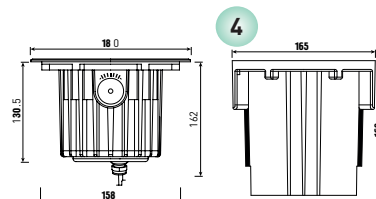
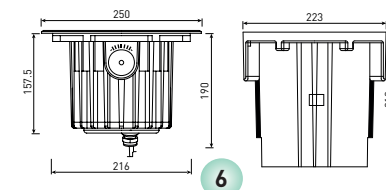
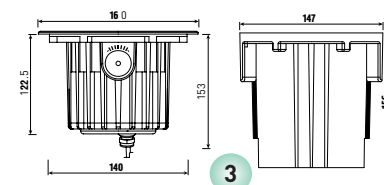
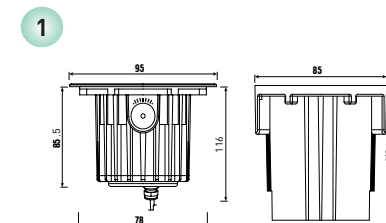
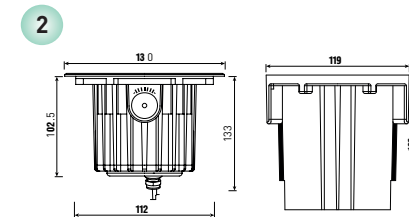


view



size

- 1 RALLUS AXEL XS
- 2 RALLUS AXEL S
- 3 RALLUS AXEL M
- 4 RALLUS AXEL L
- 5 RALLUS AXEL XL
- 6 RALLUS AXEL XXL



RALLUS AXEL

Recessed ground lighting with adjustable optical part, which allows directing the light flux to the object with optimal accuracy.

Housing:	Pressure die-cast aluminum alloy with polyester powder paint
Housing color:	Metallic
Beam angle:	8°, 15°, 30°, 40°, 60°
IES protection classes:	Class I (SELV)
Color temperature, K:	2700K, 3000K, 4000K, 5000K, 6000K, R, G, B, RGB 3in1, RGBW 4in1, Tunable white
Input voltage, V:	24V, 220V
Control system:	On/Off, 1-10V, DMX-512, TRIAC, DALI, PWM
Ingress Protection Rating, IP:	IP67
Operating temperature:	-40°C ~ +50°C
Weight:	0,8-4,5kg

Article	Name	Power, W	Dimensions, mm	Input voltage, V	Beam angle, degrees	Color temperature, K	Weight, kg
791200012	RALLUS AXEL XS 3W 24V/220V IP67 Single color	3W	d95x116	24V/220V	8°, 15°, 30°, 40°, 60°	2700K, 3000K, 4000K, 5000K, 6000K	0,8
791200014	RALLUS AXEL XS 3W 24V DMX-512 IP67 RGB 3 in 1	3W	d95x116	24V	8°, 15°, 30°, 40°, 60°	RGB	0,8
791200016	RALLUS AXEL XS 4W 24V DMX-512 IP67 RGBW 4 in 1	4W	d95x116	24V	8°, 15°, 30°, 40°, 60°	RGBW	0,8
791200018	RALLUS AXEL S 6W 24V/220V IP67 Single color	6W	d130x133	24V/220V	8°, 15°, 30°, 40°, 60°	2700K, 3000K, 4000K, 5000K, 6000K	1,1
791200020	RALLUS AXEL S 9W 24V DMX-512 IP67 RGB 3 in 1	9W	d130x133	24V	8°, 15°, 30°, 40°, 60°	RGB	1,1
791200022	RALLUS AXEL S 12W 24V DMX-512 IP67 RGBW 4 in 1	12W	d130x133	24V	8°, 15°, 30°, 40°, 60°	RGBW	1,1
791200024	RALLUS AXEL M 12W 24V/220V IP67 Single color	12W	d160x153	24V/220V	8°, 15°, 30°, 40°, 60°	2700K, 3000K, 4000K, 5000K, 6000K	1,5
791200026	RALLUS AXEL M 18W 24V DMX-512 IP67 RGB 3 in 1	18W	d160x153	24V	8°, 15°, 30°, 40°, 60°	RGB	1,5
791200028	RALLUS AXEL M 24W 24V DMX-512 IP67 RGBW 4 in 1	24W	d160x153	24V	8°, 15°, 30°, 40°, 60°	RGBW	1,5
791200030	RALLUS AXEL L 18W 24V/220V IP67 Single color	18W	d180x162	24V/220V	8°, 15°, 30°, 40°, 60°	2700K, 3000K, 4000K, 5000K, 6000K	2,1
791200032	RALLUS AXEL L 24W 24V DMX-512 IP67 RGB 3 in 1	24W	d180x162	24V	8°, 15°, 30°, 40°, 60°	RGB	2,1
791200034	RALLUS AXEL L 36W 24V DMX-512 IP67 RGBW 4 in 1	36W	d180x162	24V	8°, 15°, 30°, 40°, 60°	RGBW	3,2
791200036	RALLUS AXEL XL 24W 24V/220V IP67 Single color	24W	d210x181	24V/220V	8°, 15°, 30°, 40°, 60°	2700K, 3000K, 4000K, 5000K, 6000K	3,2
791200038	RALLUS AXEL XL 36W 24V DMX-512 IP67 RGB 3 in 1	36W	d210x181	24V	8°, 15°, 30°, 40°, 60°	RGB	3,2
791200040	RALLUS AXEL XL 48W 24V DMX-512 IP67 RGBW 4 in 1	36W	d210x181	24V	8°, 15°, 30°, 40°, 60°	RGBW	3,2
791200042	RALLUS AXEL XXL 36W 24V/220V IP67 Single color	36W	d250x190	24V/220V	8°, 15°, 30°, 40°, 60°	2700K, 3000K, 4000K, 5000K, 6000K	4,5
791200044	RALLUS AXEL XXL 54W 24V DMX-512 IP67 RGB 3 in 1	54W	d250x190	24V	8°, 15°, 30°, 40°, 60°	RGB	4,5
791200046	RALLUS AXEL XXL 72W 24V DMX-512 IP67 RGBW 4 in 1	72W	d250x190	24V	8°, 15°, 30°, 40°, 60°	RGBW	4,5

view



HOVER S

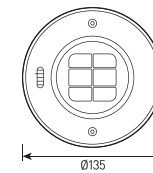
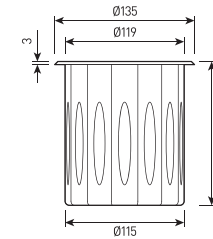


- 1 HOVER XS
- 2 HOVER S
- 3 rotation

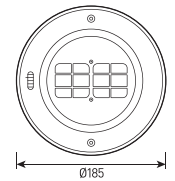
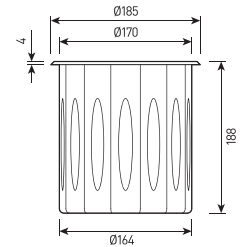
HOVER XS



size

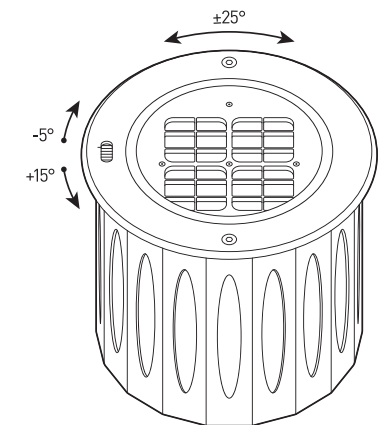


1



2

3



HOVER XS/S

Recessed ground luminaire with adjustable optical part, which allows directing the light flux to the object with optimal accuracy

Housing:	Pressure die-cast aluminum alloy with polyester powder paint
Housing color:	Grey
Beam angle:	4,5°, 8°, 12°, 15°, 20°, 30°, 60°, 10x30°, 10x60°, 10x70°, 5x20°
IES protection classes:	Class I (SELV)
Color temperature, K:	2700K, 3000K, 4000K, 5000K, 6000K, R, G, B, RGB 3in1, RGBW 4in1, Tunable white
Input voltage, V:	24V, 220V
Control system:	On/Off, 1-10V, DMX-512, DALI
Ingress Protection Rating, IP:	IP68
Operating temperature:	-40°C ~ +50°C
Weight:	1-5kg

Article	Name	Power, W	Dimensions, mm	Input voltage, V	Beam angle, degrees	Color temperature, K	Weight, kg
791200112	HOVER XS 10W 24V/220V IP68 Single color	10W	D135x140	24V/220V	4,5°, 8°, 12°, 20°, 30°, 60°, 10x70°, 5x20°	2700K, 3000K, 4000K, 5000K, 6000K, R, G, B, RGB 3in1, RGBW 4in1, Tunable white	1
791200114	HOVER XS 10W 24V DMX-512 IP68 RGB 3 in 1	10W	D135x140	24V	15°, 20°, 30°, 10x30°, 10x60°	RGB	1
791200116	HOVER XS 10W 24V DMX-512 IP68 RGBW 4 in 1	10W	D135x140	24V	15°, 20°, 30°, 10x30°, 10x60°	RGBW	1
791200118	HOVER S 20W 24V/220V IP68 Single color	20W	D185x188	24V/220V	4,5°, 8°, 12°, 20°, 30°, 60°, 10x70°, 5x20°	2700K, 3000K, 4000K, 5000K, 6000K, R, G, B, RGB 3in1, RGBW 4in1, Tunable white	1,5
791200120	HOVER S 20W 24V DMX-512 IP68 RGB 3 in 1	20W	D185x188	24V	15°, 20°, 30°, 10x30°, 10x60°	RGB	1,5
791200122	HOVER S 20W 24V DMX-512 IP68 RGBW 4 in 1	20W	D185x188	24V	15°, 20°, 30°, 10x30°, 10x60°	RGBW	1,5

HOVER M



view



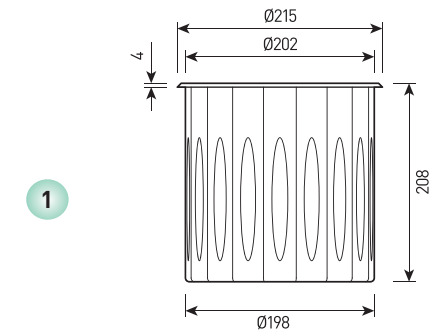
HOVER M



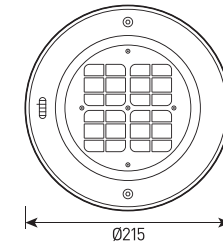
1 overall dimensions

2 rotation

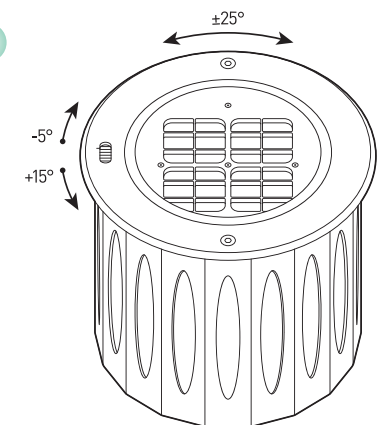
size



1



2



HOVER M

Recessed ground luminaire with adjustable optical part, which allows directing the light flux to the object with optimal accuracy

Housing:	Pressure die-cast aluminum alloy with polyester powder paint
Housing color:	Grey
Beam angle:	4,5°, 8°, 12°, 15°, 20°, 30°, 60°, 10x30°, 10x60°, 10x70°, 5x20°
IES protection classes:	Class I (SELV)
Color temperature, K:	2700K, 3000K, 4000K, 5000K, 6000K, R, G, B, RGB 3in1, RGBW 4in1, Tunable white
Input voltage, V:	24V, 220V
Control system:	On/Off, 1-10V, DMX-512, DALI
Ingress Protection Rating, IP:	IP68
Operating temperature:	-40°C ~ +50°C
Weight:	1-5kg

Article	Name	Power, W	Dimensions, mm	Input voltage, V	Beam angle, degrees	Color temperature, K	Weight, kg
791200124	HOVER M 40W 24V/220V IP68 Single color	40W	D215x208	24V/220V	4,5°, 8°, 12°, 20°, 30°, 60°, 10x70°, 5x20°	2700K, 3000K, 4000K, 5000K, 6000K, R, G, B, RGB 3in1, RGBW 4in1, Tunable white	2,5
791200126	HOVER M 40W 24V DMX-512 IP68 RGB 3 in 1	40W	D215x208	24V	15°, 20°, 30°, 10x30°, 10x60°	RGB	2,5
791200128	HOVER M 40W 24V DMX-512 IP68 RGBW 4 in 1	40W	D215x208	24V	15°, 20°, 30°, 10x30°, 10x60°	RGBW	2,5

HOVER L/XL



view



- 1 HOVER L
- 2 HOVER XL
- 3 rotation

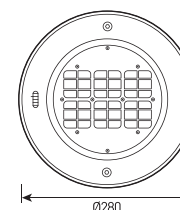
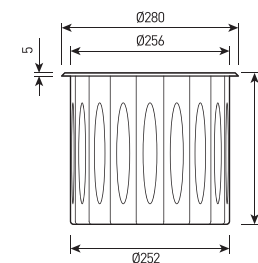


HOVER XL

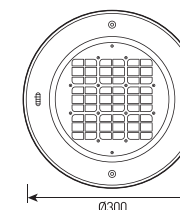
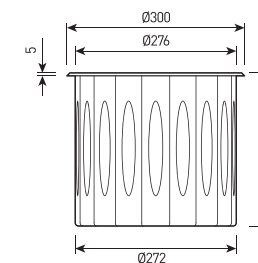


HOVER L

size

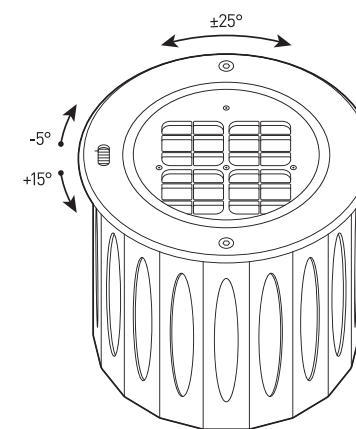


1



2

3



HOVER L/XL

Recessed ground luminaire with adjustable optical part, which allows directing the light flux to the object with optimal accuracy

Housing:	Pressure die-cast aluminum alloy with polyester powder paint
Housing color:	Grey
Beam angle:	4,5°, 8°, 12°, 15°, 20°, 30°, 60°, 10x30°, 10x60°, 10x70°, 5x20°
IES protection classes:	Class I (SELV)
Color temperature, K:	2700K, 3000K, 4000K, 5000K, 6000K, R, G, B, RGB 3in1, RGBW 4in1, Tunable white
Input voltage, V:	24V, 220V
Control system:	On/Off, 1-10V, DMX-512, DALI
Ingress Protection Rating, IP:	IP68
Operating temperature:	-40°C ~ +50°C
Weight:	1-5kg

Article	Name	Power, W	Dimensions, mm	Input voltage, V	Beam angle, degrees	Color temperature, K	Weight, kg
791200130	HOVER L 60W 24V/220V IP68 Single color	60W	D280x240	24V/220V	4,5°, 8°, 12°, 20°, 30°, 60°, 10x70°, 5x20°	2700K, 3000K, 4000K, 5000K, 6000K, R, G, B, RGB 3in1, RGBW 4in1, Tunable white	3,5
791200132	HOVER L 60W 24V DMX-512 IP68 RGB 3 in 1	60W	D280x240	24V	15°, 20°, 30°, 10x30°, 10x60°	RGB	3,5
791200134	HOVER L 60W 24V DMX-512 IP68 RGBW 4 in	60W	D280x240	24V	15°, 20°, 30°, 10x30°, 10x60°	RGBW	3,6
791200136	HOVER XL 90W 24V/220V IP68 Single color	90W	D300x260	24V/220V	4,5°, 8°, 12°, 20°, 30°, 60°, 10x70°, 5x20°	2700K, 3000K, 4000K, 5000K, 6000K, R, G, B, RGB 3in1, RGBW 4in1, Tunable white	5
791200138	HOVER XL 90W 24V DMX-512 IP68 RGB 3 in 1	90W	D300x260	24V	15°, 20°, 30°, 10x30°, 10x60°	RGB	5
791200140	HOVER XL 90W 24V DMX-512 IP68 RGBW 4 in 1	90W	D300x260	24V	15°, 20°, 30°, 10x30°, 10x60°	RGBW	5

view

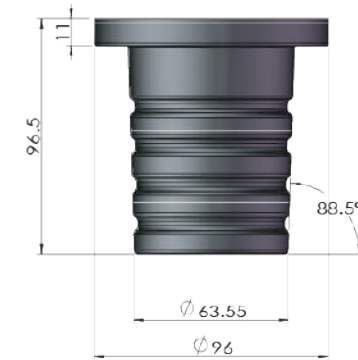
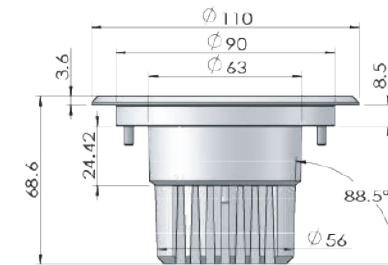


1 overall dimensions



1

size



CRUZ S

The CRUZ recessed model can be made with a round or square top lid of stainless steel.

Housing:	Pressure die-cast aluminum alloy with polyester powder paint.
Fronted cover:	stainless steel
Glass:	Tempered glass, T= 8 mm
Optical system:	lenses CREE. Efficiency 85%
Beam angle:	5°, 12.5°, 20°, 30°, 45°, 60°, 25x10°
Housing color:	RAL
Color temperature, K:	3000K, 4000K, 5000K, 6000K, RGB
Input voltage, V:	12V, 220V
Control system:	On\Off, DMX
Ingress Protection Rating, IP:	IP67
Operating temperature:	-40°C ~ +50°C
Guaranteed lifetime, hours:	>50 000h
MAX load:	1840kg
Installation:	built into the ground with a plastic mounting box (supplied)

Article	Name	Power, W	Dimensions, mm	Input voltage, V	Beam angle, degrees	Color temperature, K	Weight, kg
777003018	CRUZ S 3,5W WW 12V IP67	3,5W	d 110x68,6	12V	5°, 12.5°, 20°, 30°, 45°, 60°, 25x10°	3000K, 4000K, 5000K, 6000K	0.85kg
777003021	CRUZ S 3,5W CW 12V IP67	3,5W	d 110x68,6	12V	5°, 12.5°, 20°, 30°, 45°, 60°, 25x10°	3000K, 4000K, 5000K, 6000K	0.85kg
777003026	CRUZ S 3,5W WW 220V IP67	3,5W	d 110x68,6	220V	5°, 12.5°, 20°, 30°, 45°, 60°, 25x10°	3000K, 4000K, 5000K, 6000K	0.85kg
777003025	CRUZ S 3,5W CW 220V IP67	3,5W	d 110x68,6	220V	5°, 12.5°, 20°, 30°, 45°, 60°, 25x10°	3000K, 4000K, 5000K, 6000K	0.85kg
777003029	CRUZ S 3,5W RGB 12V IP67	3,5W	d 110x68,6	12V	5°, 12.5°, 20°, 30°, 45°, 60°, 25x10°	RGB	0.85kg
777006010	CRUZ S 6W WW 12V IP67	6W	d 110x68,6	12V	5°, 12.5°, 20°, 30°, 45°, 60°, 25x10°	3000K, 4000K, 5000K, 6000K	0.85kg
777006012	CRUZ S 6W CW 12V IP67	6W	d 110x68,6	12V	5°, 12.5°, 20°, 30°, 45°, 60°, 25x10°	3000K, 4000K, 5000K, 6000K	0.85kg
777006014	CRUZ S 6W WW 220V IP67	6W	d 110x68,6	220V	5°, 12.5°, 20°, 30°, 45°, 60°, 25x10°	3000K, 4000K, 5000K, 6000K	0.85kg
777006016	CRUZ S 6W CW 220V IP67	6W	d 110x68,6	220V	5°, 12.5°, 20°, 30°, 45°, 60°, 25x10°	3000K, 4000K, 5000K, 6000K	0.85kg
777006013	CRUZ S 6W RGB 12V IP67	6W	d 110x68,6	12V	5°, 12.5°, 20°, 30°, 45°, 60°, 25x10°	RGB	0.85kg

view



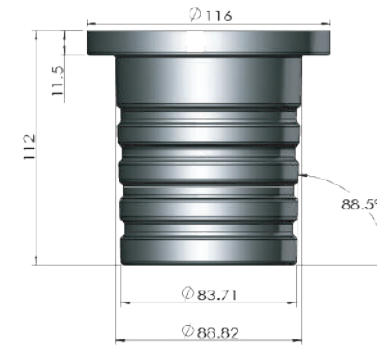
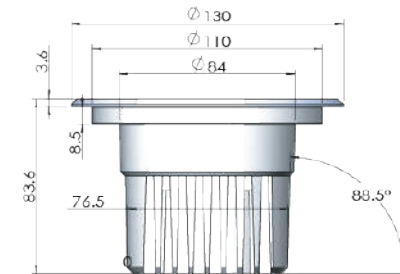
1 overall dimensions



1



size



CRUZ M

The CRUZ recessed model can be made with a round or square top lid of stainless steel.

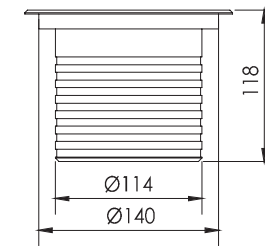
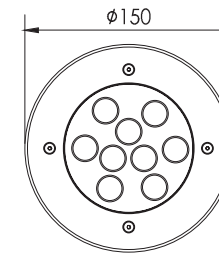
Housing:	Pressure die-cast aluminum alloy with polyester powder paint.
Fronted cover:	stainless steel
Glass:	Tempered glass, T= 8 mm
Optical system:	lenses CREE. Efficiency 85%
Beam angle:	5°, 12.5°, 20°, 30°, 45°, 60°, 25x10°
Housing color:	RAL
Color temperature, K:	3000K, 4000K, 5000K, 6000K, RGB
Input voltage, V:	12V, 220V
Control system:	On\Off, DMX
Ingress Protection Rating, IP:	IP67
Operating temperature:	-40°C ~ +50°C
Guaranteed lifetime, hours:	>50 000h
MAX load:	1760kg
Installation:	built into the ground with a plastic mounting box (supplied)

Article	Name	Power, W	Dimensions, mm	Input voltage, V	Beam angle, degrees	Color temperature, K	Weight, kg
781012014	CRUZ M 12W WW 12V IP67	12W	d 130x83,6	12V	5°, 12.5°, 20°, 30°, 45°, 60°, 25x10°	3000K, 4000K, 5000K, 6000K	1kg
781012015	CRUZ M 12W CW 12V IP67	12W	d 130x83,6	12V	5°, 12.5°, 20°, 30°, 45°, 60°, 25x10°	3000K, 4000K, 5000K, 6000K	1kg
781012016	CRUZ M 12W WW 220V IP67	12W	d 130x83,6	220V	5°, 12.5°, 20°, 30°, 45°, 60°, 25x10°	3000K, 4000K, 5000K, 6000K	1kg
781012017	CRUZ M 12W CW 220V IP67	12W	d 130x83,6	220V	5°, 12.5°, 20°, 30°, 45°, 60°, 25x10°	3000K, 4000K, 5000K, 6000K	1kg
781012018	CRUZ M 12W RGB 12V IP67	12W	d 130x83,6	12V	5°, 12.5°, 20°, 30°, 45°, 60°, 25x10°	RGB	1kg

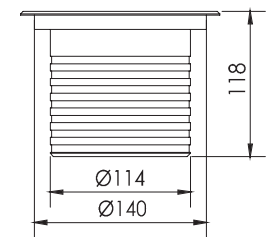
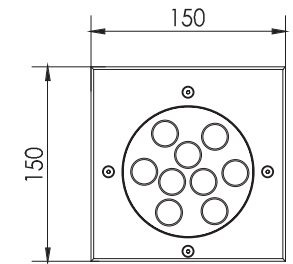
view



1 overall dimensions



size



CRUZ L

Ground recessed miniature LED IP67 "marker" type lights. It can withstand the load on the outer part up to 1330 kg.

Housing:	Pressure die-cast aluminum alloy with polyester powder paint.
Fronted cover:	stainless steel
Glass:	Tempered glass, T= 8 mm
Optical system:	lenses CREE. Efficiency 85%
Beam angle:	symmetrical 5°,12.5°,20°,30°,45°,60° asymmetric 15x30°, 10x60°
Housing color:	RAL
Color temperature, K:	3000K, 4000K, 5000K, 6000K, RGB
Input voltage, V:	12V, 220V
Control system:	On\Off, DMX
Ingress Protection Rating, IP:	IP67
Operating temperature:	-40°C ~ +50°C
Guaranteed lifetime, hours:	>50 000h
MAX load:	1290kg
Installation:	built into the ground with a plastic mounting box (supplied)

Article	Name	Power, W	Dimensions, mm	Input voltage, V	Beam angle, degrees	Color temperature, K	Weight, kg
783016010	CRUZ L 16W WW 24V IP67	16W	d 150x118	220V AC	5°, 12.5°, 20°, 30°, 40°, 60°, 15x30°, 10x60°	3000K, 4000K, 5000K, 6000K	1.5kg
783016012	CRUZ L 16W CW 24V IP67	16W	d 150x118	220V AC	5°, 12.5°, 20°, 30°, 40°, 60°, 15x30°, 10x60°	3000K, 4000K, 5000K, 6000K	1.5kg
783016014	CRUZ L 16W WW 220V IP67	16W	d 150x118	220V AC	5°, 12.5°, 20°, 30°, 40°, 60°, 15x30°, 10x60°	3000K, 4000K, 5000K, 6000K	1.5kg
783016016	CRUZ L 16W CW 220V IP67	16W	d 150x118	220V AC	5°, 12.5°, 20°, 30°, 40°, 60°, 15x30°, 10x60°	3000K, 4000K, 5000K, 6000K	1.5kg
783014013	CRUZ L 14W RGB 24V/220V IP67	14W	d 150x118	24V/220V	5°, 12.5°, 20°, 30°, 40°, 60°, 15x30°, 10x60°	RGB	1.5kg

view



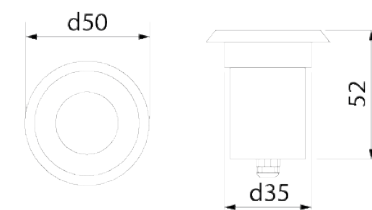
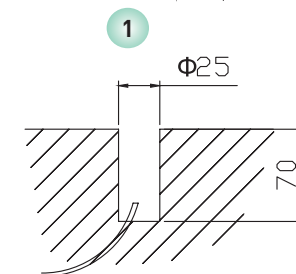
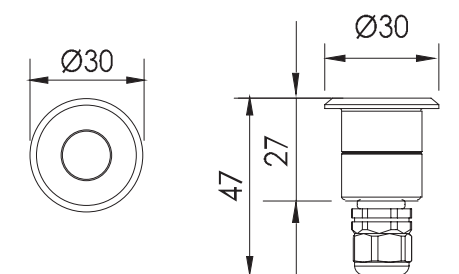
RAL



- 1 overall dimensions
- 2 with mounting sleeve
- 3 without mounting sleeve



size



2

3

MICRA

Ground recessed miniature LED IP67 "marker" type lights. It can withstand the load on the outer part up to 1330 kg.

Housing:	Pressure die-cast aluminum alloy with polyester powder paint.
Fronted cover:	stainless steel
Glass:	Tempered glass, T= 8 mm
Beam angle:	12,5°, 20°, 30°, 45°, 120°
Housing color:	Black, Metallic, RAL
Color temperature, K:	3000K, 4000K, 5000K, 6000K, RGB
Input voltage, V	12V, 24V, 220V
Control system:	Switch On\Off
Ingress Protection Rating, IP:	IP67
Operating temperature:	-25°C ~ +50°C
Guaranteed lifetime, hours:	>50 000h

Article	Name	Power, W	Dimensions, mm	Input voltage, V	Beam angle, degrees	Color temperature, K	Weight, kg
766003010	MICRA 0,5W WW 12V IP67	0,5W	d30x47	12V	120°	3000K, 4000K, 5000K, 6000K	0.1kg
766003012	MICRA 0,5W CW 12V IP67	0,5W	d30x47	12V	120°	3000K, 4000K, 5000K, 6000K	0.1kg
766003013	MICRA 0,5W WW 24V IP67	0,5W	d30x47	24V	120°	3000K, 4000K, 5000K, 6000K	0.1kg
766003015	MICRA 0,5W CW 24V IP67	0,5W	d30x47	24V	120°	3000K, 4000K, 5000K, 6000K	0.1kg
766002010	MICRA 2W Single 12V IP67	2W	d50x52	12V	12,5°, 20°, 30°, 45°, 120°	3000K, 4000K, 5000K, 6000K	0.15kg
766002020	MICRA 2W RGB 12V IP67	2W	d50x52	12V	12,5°, 20°, 30°, 45°, 120°	RGB	0.15kg
766002030	MICRA 2W Single 24V IP67	2W	d50x52	24V	12,5°, 20°, 30°, 45°, 120°	3000K, 4000K, 5000K, 6000K	0.15kg
766002040	MICRA 2W RGB 24V IP67	2W	d50x52	24V	12,5°, 20°, 30°, 45°, 120°	RGB	0.15kg
766002050	MICRA 2W Single 220V IP67	2W	d50x52	220V	12,5°, 20°, 30°, 45°, 120°	3000K, 4000K, 5000K, 6000K	0.15kg
766002060	MICRA 2W RGB 220V IP67	2W	d50x52	220V	12,5°, 20°, 30°, 45°, 120°	RGB	0.15kg

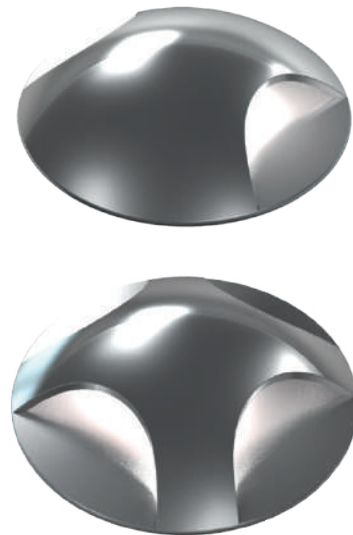
view



RAL

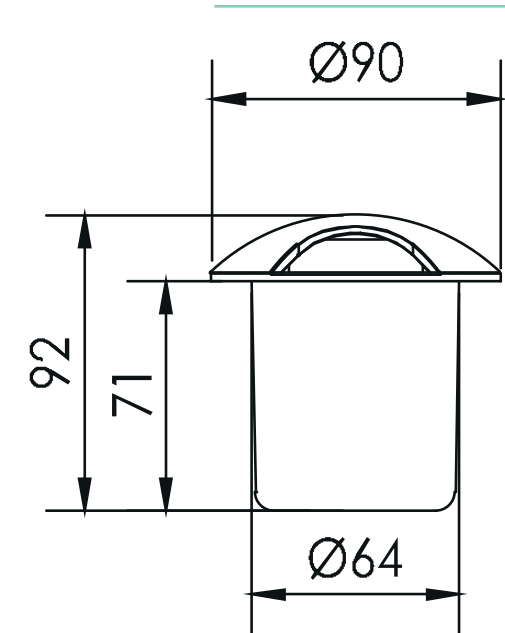


1 overall dimensions



1

size



ZIBO

Ground recessed LED light IP67. It can withstand the load on the outer part up to 2000 kg.

Housing:	Pressure die-cast aluminum alloy with polyester powder paint
Fronted cover:	stainless steel 2.0 mm
Optical system:	optical lens and mat glass. Efficiency 85%
Glass:	Tempered glass, T=8 mm
Beam angle:	60°, 2x60°, 4x60°, 12x15°
Housing color:	Metallic, RAL
Color temperature, K:	3000K, 4000K, 5600K, RGB, RGBW
Input voltage, V:	24V, 220V
Control system:	Switch On\Off
Ingress Protection Rating, IP:	IP67
Operating temperature:	-40°C ~ +50°C
Guaranteed lifetime, hours:	>50 000h

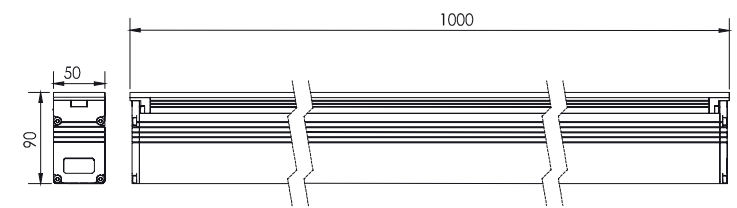
Article	Name	Power, W	Dimensions, mm	Input voltage, V	Beam angle, degrees	Color temperature, K	Weight, kg
793031010	ZIB01 3W WW 24V/100-240V IP67 1 beam	3W	d 90x92	24V, 220V	60°	3000K, 4000K, 5000K	0.85kg
793042020	ZIB02 4W WW 24V/100-240V IP67 2 beams	4W	d 90x92	24V, 220V	2x60°	3000K, 4000K, 5000K	0.85kg
793082030	ZIB02 8W CW 24V/100-240V IP67 2 beams	8W	d 90x92	24V, 220V	2x60°	3000K, 4000K, 5000K	0.85kg
793044040	ZIB03 4W CW 24V/100-240V IP67 4 beams	4W	d 90x92	24V, 220V	4x60°	3000K, 4000K, 5000K	0.85kg
793084050	ZIB03 8W WW 24V/100-240V IP67 4 beams	8W	d 90x92	24V, 220V	4x60°	3000K, 4000K, 5000K	0.85kg
793084160	ZIB04 4W CW 24V/100-240V IP67 multi	4W	d 90x92	220V	12x15°	3000K, 4000K, 5000K	0.85kg
793088070	ZIB04 8W CW 24V/100-240V IP67 multi	8W	d 90x92	220V	12x15°	3000K, 4000K, 5000K	0.85kg

view

RAL



1 overall dimensions



size

1

LYNX S

Linear recessed LED IP67 projector 10W and 15W.

Housing:	Pressure die-cast aluminum alloy with polyester powder paint
Housing color:	RAL
Beam angle:	120°
Color temperature, K:	2700K-6000K, RGB
Input voltage, V:	24V
Control system:	DMX-512, Switch On\Off
Ingress Protection Rating, IP:	IP67
Operating temperature:	-25°C ~ +50°C
Guaranteed lifetime, hours:	>50 000h

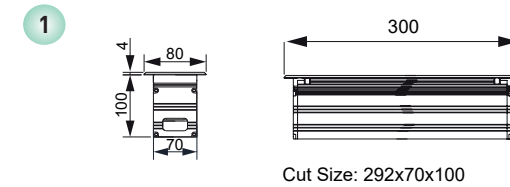
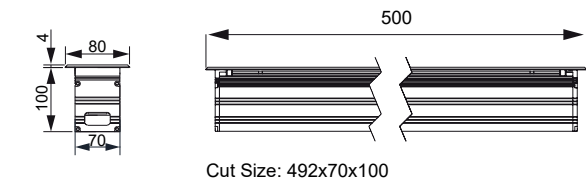
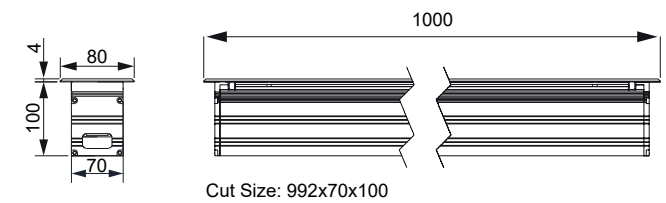
Article	Name	Power, W	Dimensions, mm	Input voltage, V	Beam angle, degrees	Color temperature, K	Weight, kg
825010010	LYNX S 10W 6000K 24V 1000 IP67	10W	1000x50x90	24V	120°	6000K	3kg
825010020	LYNX S 10W 2700K 24V 1000 IP67	10W	1000x50x90	24V	120°	2700K	3kg
825010030	LYNX S 10W RGB 24V 1000 IP67	10W	1000x50x90	24V	120°	RGB	3kg
825015010	LYNX S 15W 6000K 24V 1000 IP67	15W	1000x50x90	24V	120°	6000K	3kg
825015020	LYNX S 15W 2700K 24V 1000 IP67	15W	1000x50x90	24V	120°	2700K	3kg
825015030	LYNX S 15W RGB 24V 1000 IP67	15W	1000x50x90	24V	120°	RGB	3kg

view

RAL

size

1 overall dimensions



LYNX M

Linear recessed LED IP67 projector for decorative lighting.

Housing:	Pressure die-cast aluminum alloy with polyester powder paint
Housing color:	RAL
Beam angle:	5°, 12.5°, 20°, 30°, 45°, 60°, 15x30°, 10x60°
Color temperature, K:	3000K-6500K, RGB, RGBW
Input voltage, V:	24V, 220V
Control system:	DMX-512, Switch On\Off
Ingress Protection Rating, IP:	IP67
Operating temperature:	-40°C ~ +50°C
Guaranteed lifetime, hours:	>50 000h

Article	Name	Power, W	Dimensions, mm	Input voltage, V	Beam angle, degrees	Color temperature, K	Weight, kg
825010007	LYNX M 7W 3000K 300 IP67	7W	300x80x100	24V / 220V	5°, 12.5°, 20°, 30°, 45°, 60°, 15x30°, 10x60°	3000K	1.7kg
825020007	LYNX M 7W RGB 300 IP67	7W	300x80x100	24V	5°, 12.5°, 20°, 30°, 45°, 60°, 15x30°, 10x60°	RGB	1.7kg
825030007	LYNX M 7W RGBW 300 IP67	7W	300x80x100	24V	5°, 12.5°, 20°, 30°, 45°, 60°, 15x30°, 10x60°	RGBW	1.7kg
825010015	LYNX M 15W 3000K 500 IP67	15W	500x80x100	24V / 220V	5°, 12.5°, 20°, 30°, 45°, 60°, 15x30°, 10x60°	3000K	2.4kg
825020015	LYNX M 15W RGB 500 IP67	15W	500x80x100	24V	5°, 12.5°, 20°, 30°, 45°, 60°, 15x30°, 10x60°	RGB	2.4kg
825030015	LYNX M 15W RGBW 500 IP67	15W	500x80x100	24V	5°, 12.5°, 20°, 30°, 45°, 60°, 15x30°, 10x60°	RGBW	2.4kg
825010028	LYNX M 28W 3000K 1000 IP67	28W	1000x80x100	24V / 220V	5°, 12.5°, 20°, 30°, 45°, 60°, 15x30°, 10x60°	3000K	3.4kg
825020028	LYNX M 28W RGB 1000 IP67	28W	1000x80x100	24V	5°, 12.5°, 20°, 30°, 45°, 60°, 15x30°, 10x60°	RGB	3.4kg
825030028	LYNX M 28W RGBW 1000 IP67	28W	1000x80x100	24V	5°, 12.5°, 20°, 30°, 45°, 60°, 15x30°, 10x60°	RGBW	3.4kg
825010042	LYNX M 42W 3000K 1000 IP67	42W	1000x80x100	24V / 220V	5°, 12.5°, 20°, 30°, 45°, 60°, 15x30°, 10x60°	3000K	3.4kg
825020042	LYNX M 42W RGB 1000 IP67	42W	1000x80x100	24V	5°, 12.5°, 20°, 30°, 45°, 60°, 15x30°, 10x60°	RGB	3.4kg
825030042	LYNX M 42W RGBW 1000 IP67	42W	1000x80x100	24V	5°, 12.5°, 20°, 30°, 45°, 60°, 15x30°, 10x60°	RGBW	3.4kg



BOLLARDS



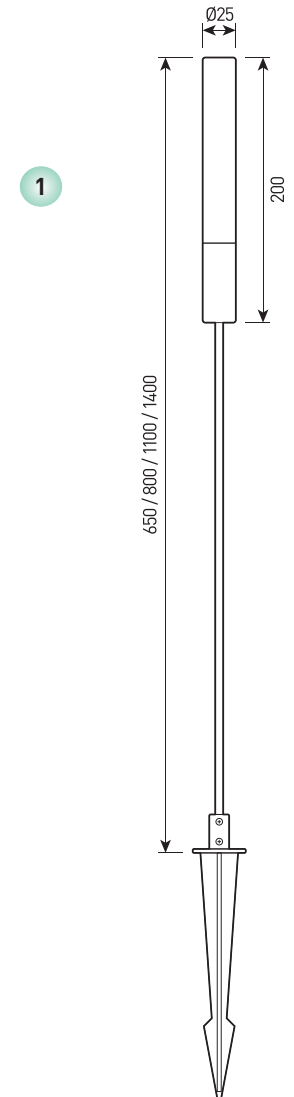
view



1 overall dimensions



size



ROGEN

Outdoor decorative lighting

Housing:	Pressure die-cast aluminum alloy with polyester powder paint
Housing color:	Transparent plastic
Beam angle:	180°
IES protection classes:	Class I (SELV)
Color temperature, K:	2700K, 3000K, 4000K, R, G, B
Input voltage, V:	12V
Control system:	On/Off
Ingress Protection Rating, IP:	IP66
Operating temperature:	-40°C ~ +50°C
Weight:	0,5kg

Article	Name	Power, W	Dimensions, mm	Input voltage, V	Beam angle, degrees	Color temperature, K	Weight, kg
700021025	ROGEN 650mm 1W 3000K 12V	1W	D25x650mm	12V	180°	2700K, 3000K, 4000K, R, G, B	0,5
700021026	ROGEN 800mm 1W 3000K 12V	1W	D25x800mm	12V	180°	2700K, 3000K, 4000K, R, G, B	0,5
700021027	ROGEN 1100mm 1W 3000K 12V	1W	D25x1100mm	12V	180°	2700K, 3000K, 4000K, R, G, B	0,5
700021028	ROGEN 1400mm 1W 3000K 12V	1W	D25x1400mm	12V	180°	2700K, 3000K, 4000K, R, G, B	0,5

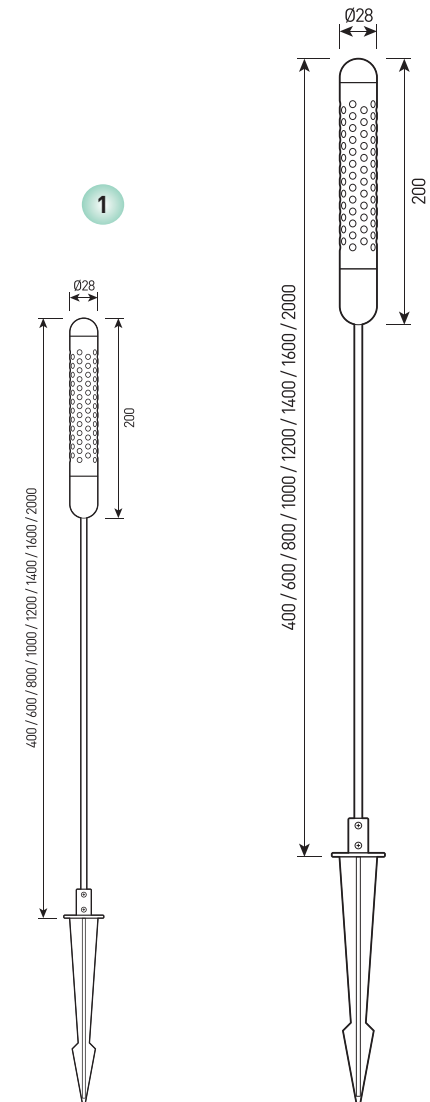
view



1 overall dimensions



size



WEIZEN

Outdoor decorative lighting

Housing:	Sealed die-cast housing
Housing color:	Metallic
Beam angle:	180°
IES protection classes:	Class I (SELV)
Color temperature, K:	2700K, 3000K, 4000K, R, G, B
Input voltage, V:	12V
Control system:	On/Off
Ingress Protection Rating, IP:	IP66
Operating temperature:	-40°C ~ +50°C
Weight:	0,5-1,2kg

Article	Name	Power, W	Dimensions, mm	Input voltage, V	Beam angle, degrees	Color temperature, K	Weight, kg
70002125	WEIZEN 400mm 1,5W 3000K 12V	1,5W	D28x400mm	12V	180°	2700K, 3000K, 4000K, R, G, B	0,5
70002126	WEIZEN 600mm 1,5W 3000K 12V	1,5W	D28x600mm	12V	180°	2700K, 3000K, 4000K, R, G, B	0,5
70002127	WEIZEN 800mm 1,5W 3000K 12V	1,5W	D28x800mm	12V	180°	2700K, 3000K, 4000K, R, G, B	0,6
70002128	WEIZEN 1000mm 1,5W 3000K 12V	1,5W	D28x1000mm	12V	180°	2700K, 3000K, 4000K, R, G, B	0,7
70002129	WEIZEN 1200mm 1,5W 3000K 12V	1,5W	D28x1200mm	12V	180°	2700K, 3000K, 4000K, R, G, B	0,8
70002130	WEIZEN 1400mm 1,5W 3000K 12V	1,5W	D28x1400mm	12V	180°	2700K, 3000K, 4000K, R, G, B	0,9
70002131	WEIZEN 1600mm 1,5W 3000K 12V	1,5W	D28x1600mm	12V	180°	2700K, 3000K, 4000K, R, G, B	1,00
70002132	WEIZEN 1800mm 1,5W 3000K 12V	1,5W	D28x1800mm	12V	180°	2700K, 3000K, 4000K, R, G, B	1,10
70002133	WEIZEN 2000mm 1,5W 3000K 12V	1,5W	D28x2000mm	12V	180°	2700K, 3000K, 4000K, R, G, B	1,20

ECLIPSE-G 220\750

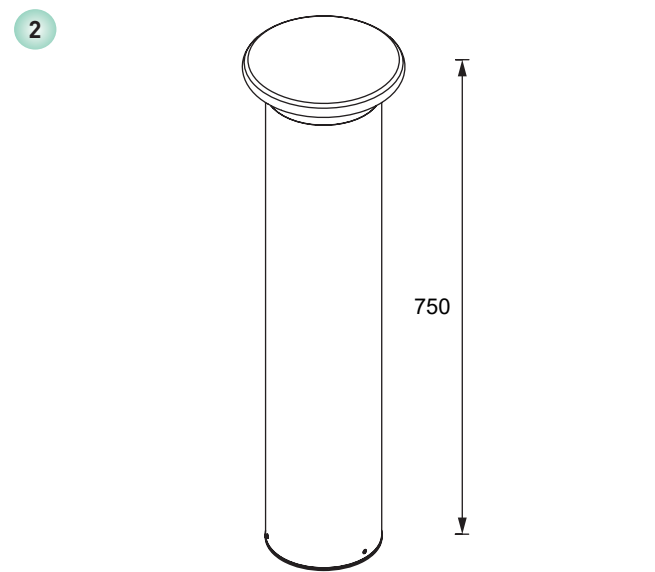
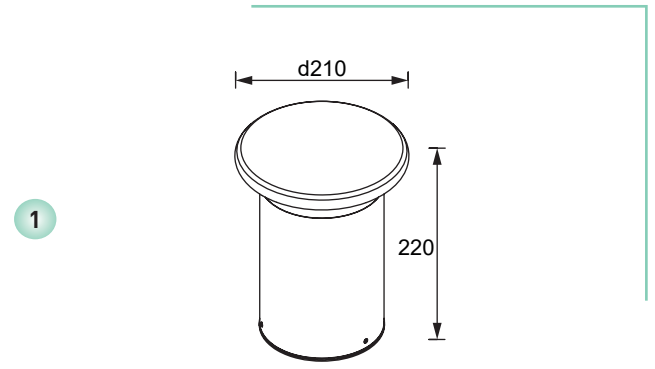


view



- 1 ECLIPSE-G 220
- 2 ECLIPSE-G 750

size



ECLIPSE-G 220\750

LED outdoor wall-mounted lighting 10W, IP65.

The luminaire has an ergonomic and convenient design, and is suitable for accentual lighting.

Suitable for use as outdoor lighting. The driver and the power supply are located inside the housing.

Housing:	Pressure die-cast aluminum alloy with polyester powder paint. Body and glass are fitted with silicone sealants.
Fasteners:	Stainless steel, T=2.00mm
Glass:	tempered glass, 3.0 mm
Optical system:	Optical lens. Efficiency >85%
Optics with angles:	53°
Housing color:	Black, Grey, White
Operating temperature:	-40°C – +50°C (at startup: -20°C)
Weight:	1.38 kg
Number of diodes (monochromatic)	10X1W

Article	Name	Power, W	Dimensions, mm	Beam angle°	Light flow, lm	Color rendering index	Power factor (PF)
69503040	Eclipse-G 220 10W 3000K 220V IP65	10 W	210 x 220	53°	253 lm	80	0,92
69503050	Eclipse-G 750 10W 3000K 220V IP65	10 W	210 x 750	53°	253 lm	80	0,92

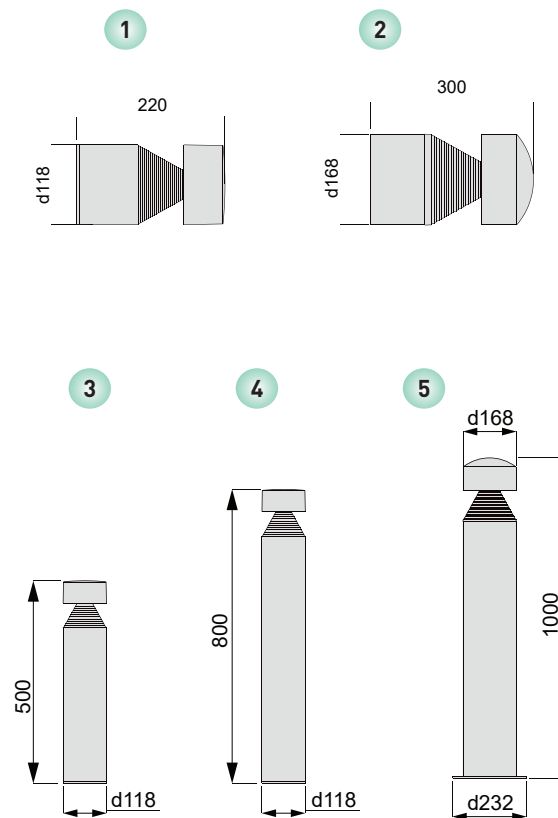
view



- 1 TORCH STRAIGHT-W 10W
- 2 TORCH ROUNDED-W 15W
- 3 TORCH STRAIGHT-G 10W 500 MM
- 4 TORCH STRAIGHT-G 10W 800 MM
- 5 TORCH ROUNDED-G 25W 1000 MM



size



TORCH

Special designed series of bollard lights and wall lights with flat or rounded top. Modifications have different housing, height and leds quantity. A stable clamping to the ground is possible with the help of collar.

Housing:	Pressure die-cast aluminum alloy with polyester powder paint. Body and glass are fitted with silicone sealants.
Fasteners:	Stainless steel, T=2.00mm
Beam angle:	140°
Housing color:	Black, Grey, White
Color temperature, K:	3000K, 4000K, 6000K
Color rendering index, CRI:	>70
Power Factor:	0.89
Control system:	Switch On/Off
Input voltage, V:	220V
Ingress Protection Rating, IP:	IP65
Operating temperature:	-40°C to +50°C (at startup: -20°C)

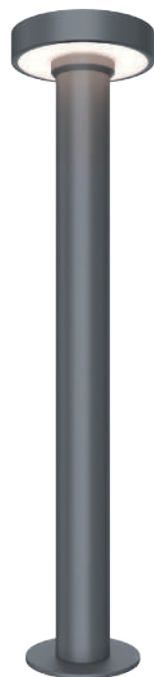
Article	Name	Power, W	Dimensions, mm	Input voltage, V	Beam angle, degrees	Color Temperature, K	Weight, kg
69901020	Torch Straight-W 10W IP65	10W	d118x220	220V	140°	3000K-6000K	1.4kg
69901520	Torch Rounded-W 15W IP65	15W	d168x300	220V	140°	3000K-6000K	2.2kg
69601020	Torch Straight-G 10W 500mm IP65	10W	d118x500	220V	140°	3000K-6000K	3.8kg
69601040	Torch Straight-G 10W 800mm IP65	10W	d118x800	220V	140°	3000K-6000K	4.6kg
69602520	Torch Rounded-G 25W 1000mm IP65	25W	d232x1000	220V	140°	3000K-6000K	6kg

view

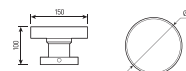


size

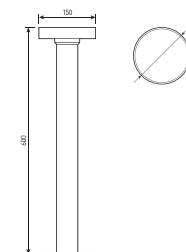
- 1 SVAMP 100MM
- 2 SVAMP 600MM
- 3 SVAMP 800MM



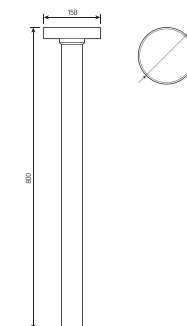
1



2



3



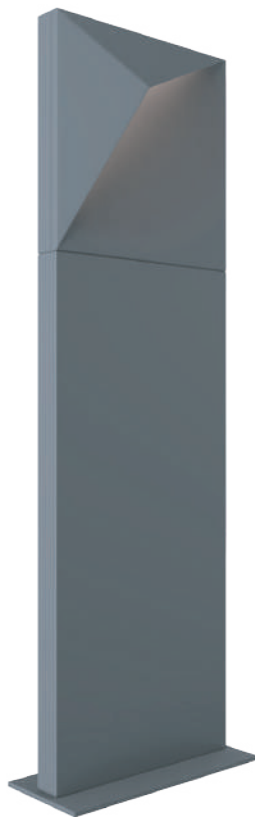
SVAMP

A lamp for landscape lighting.

Housing:	Pressure die-cast aluminum alloy with polyester powder paint.
Housing color:	Black, Grey, White
Beam angle:	120°
IES protection classes:	Class I (SELV)
Color temperature, K:	3000K, 4000K
Control system:	Switch On/Off
Input voltage, V:	220V
Ingress Protection Rating, IP:	IP65
Operating temperature:	-40°C ~ +50°C
Weight:	1,0-2,5kg

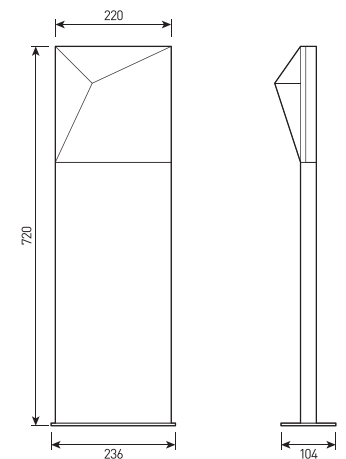
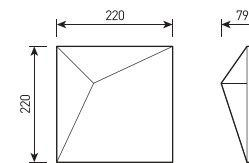
Article	Name	Power, W	Dimensions, mm	Input voltage, V	Beam angle, degrees	Color temperature, K	Weight, kg
692090033	SVAMP 800mm 11W 220V IP65	11W	150x800	220V	120°	3000K, 4000K	2,50
692090035	SVAMP 600mm 11W 220V IP65	11W	150x600	220V	120°	3000K, 4000K	2,20
692090037	SVAMP 100mm 11W 220V IP65	11W	150x100	220V	120°	3000K, 4000K	1,00

view



1 overall dimensions

1



size

WINKEL

A lamp for landscape lighting.

Housing:	Pressure die-cast aluminum alloy with polyester powder paint.
Housing color:	Black, Grey, White
Beam angle:	120°
IES protection classes:	Class I (SELV)
Color temperature, K:	3000K, 4000K
Control system:	Switch On/Off
Input voltage, V:	220V
Ingress Protection Rating, IP:	IP65
Operating temperature:	-40°C ~ +50°C
Weight:	2,2-3,2kg

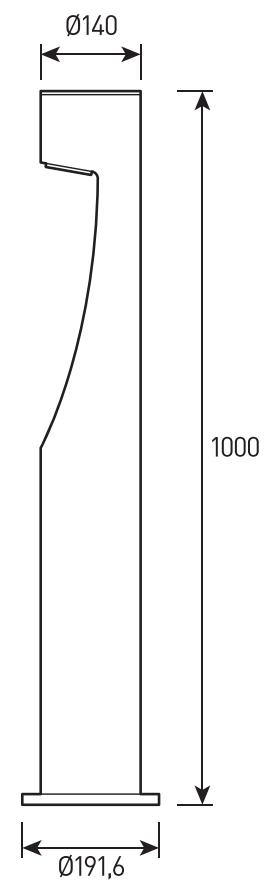
Article	Name	Power, W	Dimensions, mm	Input voltage, V	Beam angle, degrees	Color temperature, K	Weight, kg
692080033	WINKEL 8W 220V IP65	8W	236x104x720	220V	120°	3000K, 4000K	3,20
692080035	WINKEL 8W 220V IP65	8W	236x79x220	220V	120°	3000K, 4000K	2,20

view



1 overall dimensions

1



size

HOBEL

A lamp for landscape lighting.

Housing:	Pressure die-cast aluminum alloy with polyester powder paint.
Housing color:	Black, Grey
Beam angle:	120°
IES protection classes:	Class I (SELV)
Color temperature, K:	3000K, 4000K
Control system:	Switch On/Off
Input voltage, V:	220V
Ingress Protection Rating, IP:	IP65
Operating temperature:	-40°C ~ +50°C
Weight:	4,2kg

Article	Name	Power, W	Dimensions, mm	Input voltage, V	Beam angle, degrees	Color temperature, K	Weight, kg
692130033	HOBEL 1000mm 10W 220V IP65	10W	140x1000	220V	120°	3000K, 4000K	4,20

POINTER

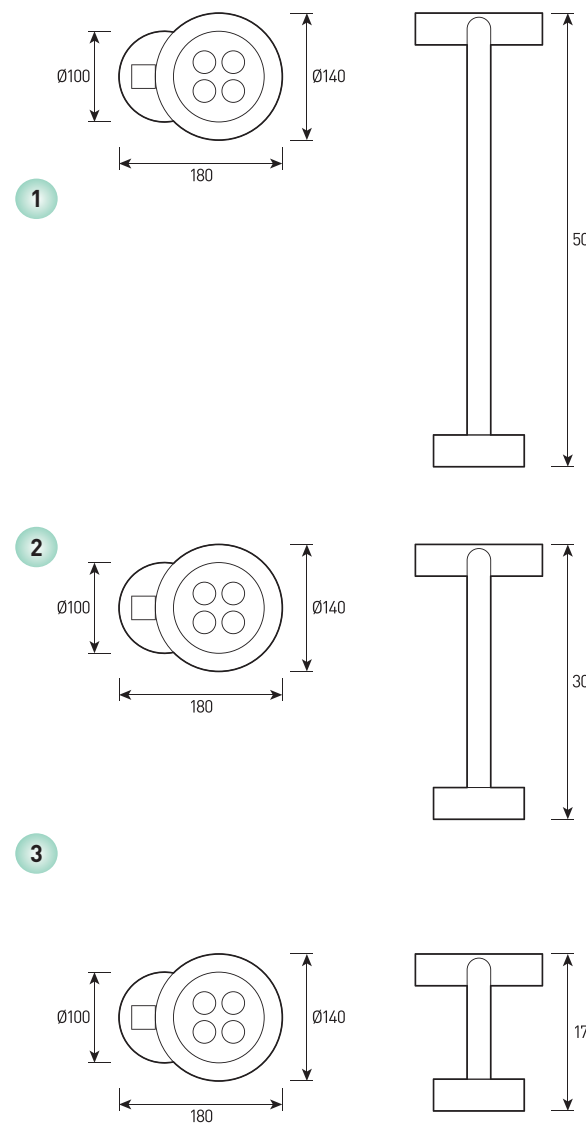


view



- 1 POINTER 500MM
- 2 POINTER 303MM
- 3 POINTER 173MM

size



POINTER

Luminaire for the landscape lighting with the rotating head.

Housing:	Pressure die-cast aluminum alloy with polyester powder paint.
Housing color:	Black, Grey, White
Beam angle:	18°
IES protection classes:	Class I (SELV)
Color temperature, K:	3000K, 4000K
Control system:	Switch On/Off
Input voltage, V:	220V
Ingress Protection Rating, IP:	IP65
Operating temperature:	-40°C ~ +50°C
Weight:	1,0-2,5kg

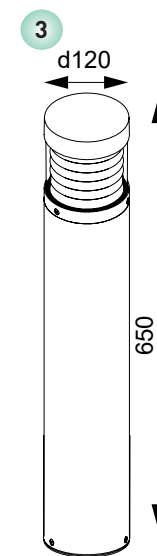
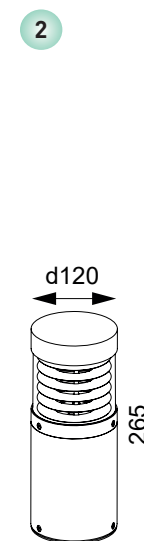
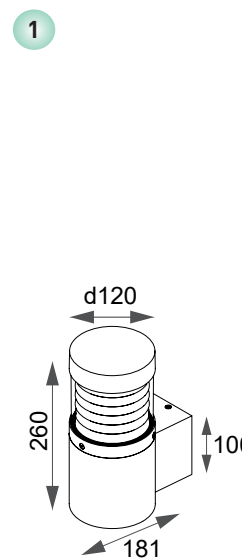
Article	Name	Power, W	Dimensions, mm	Input voltage, V	Beam angle, degrees	Color temperature, K	Weight, kg
692110033	POINTER 500mm 11W 220V IP65	11W	180x303	220V	18°	3000K, 4000K	2,30
692110035	POINTER 303mm 11W 220V IP65	11W	180x500	220V	18°	3000K, 4000K	2,00
692110037	POINTER 173mm 11W 220V IP65	11W	180x173	220V	18°	3000K, 4000K	1,60

view



size

- 1 BRUMI-W
- 2 BRUMI-G 265
- 3 BRUMI-G 650



BRUMI

LED outdoor lighting 12W, IP65.

The luminaire has an ergonomic and convenient design, and is suitable for accentual lighting.

Suitable for use as outdoor lighting. The driver and the power supply are located inside the housing.

Housing:	Pressure die-cast aluminum alloy with polyester powder paint. Body and glass are fitted with silicone sealants.
Fasteners:	Stainless steel, T=2.00mm
Glass:	tempered glass, 3.0 mm
Optical system:	Optical lens. Efficiency >85%
Optics with angles:	50°
Housing color:	Black, Grey, White
Operating temperature:	-40°C – +50°C (at startup: -20°C)
Weight:	1.88 kg/ 1.40 kg
Number of diodes (monochromatic)	1X12W

Article	Name	Power, W	Dimensions, mm	Beam angle°	Light flow, lm	Color rendering index	Power factor (PF)
69503240	Brumi-W 12W 3000K 220V IP65	12 W	181 x 120 x 260	51°	131 lm	80	0,93
69503250	Brumi-G 265 12W 3000K 220V IP65	12 W	181 x 120 x 265	51°	131 lm	80	0,93
69503260	Brumi-G 650 12W 3000K 220V IP65	12 W	181 x 120 (650)	51°	131 lm	80	0,93

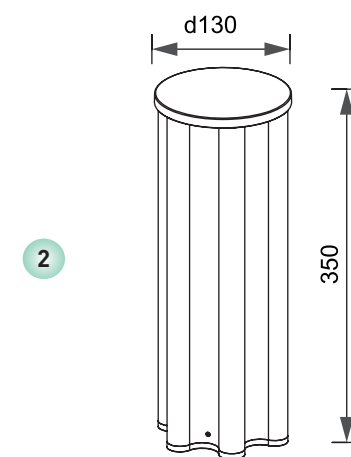
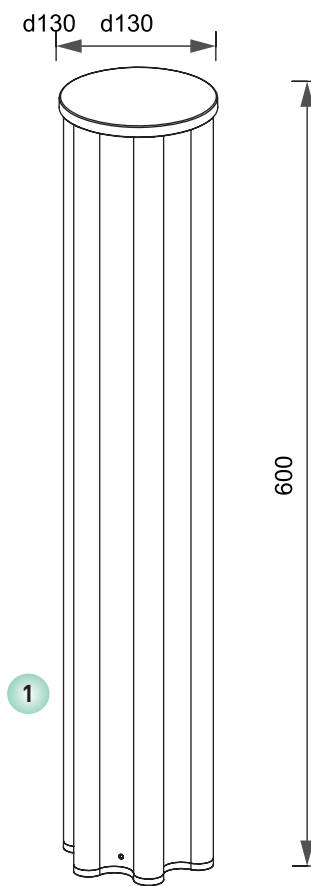
view



1 RAISEN-G 600

2 RAISEN-G 350

size



RAISEN-G

LED outdoor lighting 12W, IP65.

The luminaire has an ergonomic and convenient design, and is suitable for accentual lighting.

Suitable for use as outdoor lighting. The driver and the power supply are located inside the housing.

Housing:	Pressure die-cast aluminum alloy with polyester powder paint. Body and glass are fitted with silicone sealants.
Fasteners:	Stainless steel, T=2.00mm
Glass:	tempered glass, 3.0 mm
Optical system:	Optical lens. Efficiency >85%
Optics with angles:	119°
Housing color:	Black, Grey, White
Operating temperature:	-40°C – +50°C (at startup: -20°C)
Weight:	1.92 kg/ 2.88 kg
Number of diodes (monochromatic)	6X2W

Article	Name	Power, W	Dimensions, mm	Beam angle°	Light flow, lm	Color rendering index	Power factor (PF)
69503220	Raisen-G 350 12W 3000K 220V IP65	12 W	130 x 350	119°	230 lm	80	0,83
69503230	Raisen-G 600 12W 3000K 220V IP65	12 W	130 x 600	119°	230 lm	80	0,83

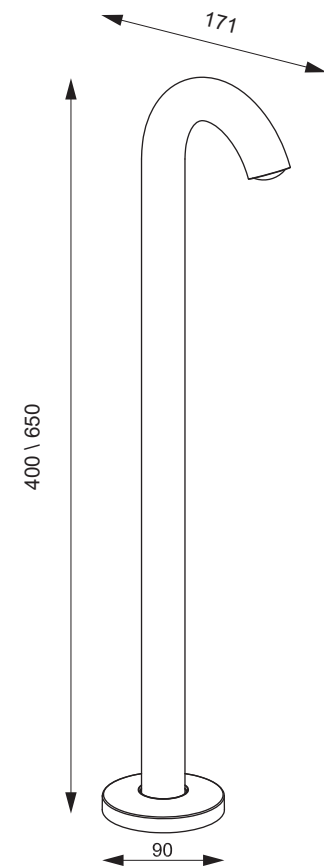
view



1 overall dimensions

1

size



COMMA

LED outdoor lighting 4W, IP65.

The series of light intended for landscape lighting, shopping centres and business-centres.

Housing:	Pressure die-cast aluminum alloy with polyester powder paint. Body and glass are fitted with silicone sealants.
Fasteners:	Stainless steel, T=2.00mm
Glass:	Tempered glass, 3.0mm
Beam angle:	70°
Housing color:	Black
Color temperature, K:	3000K, 4000K, 6000K
Color rendering index, CRI:	>82
Power Factor:	>0.9
Control system:	Switch On\Off
Input voltage, V:	220V
Ingress Protection Rating, IP:	IP65
Operating temperature:	-40°C to +50°C (at startup: -20°C)
Guaranteed lifetime, hours:	>35 000h

Article	Name	Power, W	Dimensions, mm	Input voltage, V	Beam angle, degrees	Color Temperature, K	Weight, kg
538004010	Comma 4W 3000K 220V IP65	1x4W	171x400x90	220	70°	3000K, 4000K, 6000K	0.8kg
538004020	Comma 4W 3000K 220V IP65	1x4W	171x650x90	220	70°	3000K, 4000K, 6000K	2.2kg

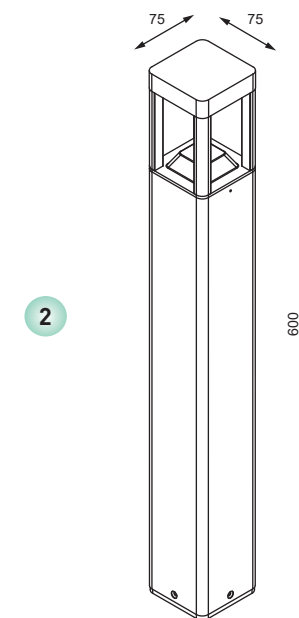
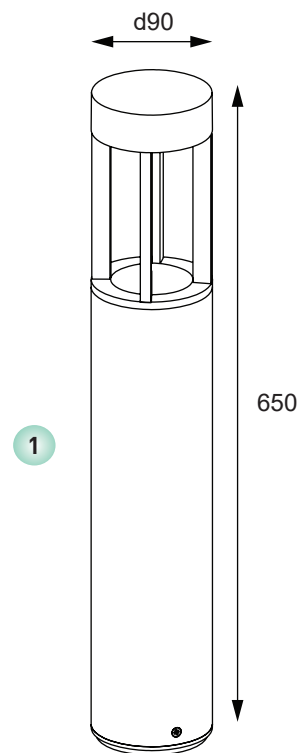
view



1 BOWLER ROUND-G 650

2 BOWLER QUADRO-G 600

size



BOWLER-G

LED outdoor lighting 7W, IP65.

The luminaire has an ergonomic and convenient design, and is suitable for accentual lighting.

Suitable for use as outdoor lighting. The driver and the power supply are located inside the housing.

Housing:	Pressure die-cast aluminum alloy with polyester powder paint. Body and glass are fitted with silicone sealants.
Fasteners:	Stainless steel, T=2.00mm
Glass:	tempered glass, 3.0 mm
Optical system:	Optical lens. Efficiency >85%
Optics with angles:	33°, 40°
Housing color:	Black, Grey, White
Operating temperature:	-40°C – +50°C (at startup: -20°C)
Weight:	1.63 kg/ 2,22 kg
Number of diodes (monochromatic)	1X7W

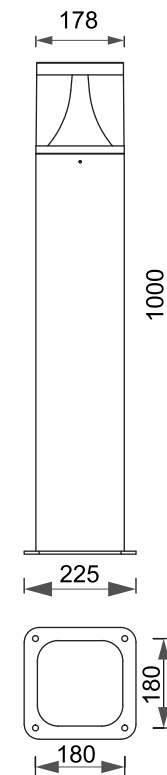
Article	Name	Power, W	Dimensions, mm	Beam angle°	Light flow, lm	Color rendering index	Power factor (PF)
69503180	BowlerRound-G 650 7W 3000K 220V IP65	7 W	90 x 650	33°	426 lm	82	0,54
69503185	BowlerQuadro-G 600 7W 3000K 220V IP65	7 W	75 x 600	40°	426 lm	82	0,54

view

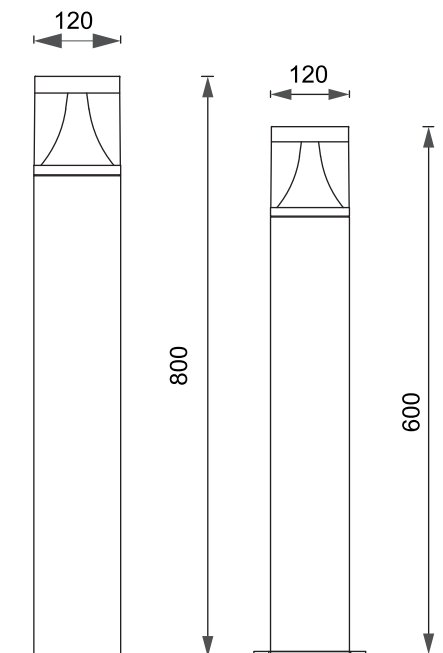


1 overall dimensions

1



size



NOLAN

LED outdoor lighting 15W and 30W, IP65.

Landscape quadrangular bollard with four rounded edges. Driver and power supply are inside the housing well protected from environment dust and wet. Models have different height. A stable clamping to the ground is possible with the help of collar.

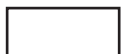
Housing:	Pressure die-cast aluminum alloy with polyester powder paint. Body and glass are fitted with silicone sealants.
Fasteners:	Stainless steel, T=2.00mm
Glass:	Tempered glass, 3.0mm
Beam angle:	140°
Housing color:	Black, Silver
Color temperature, K:	4000K
Color rendering index, CRI:	>75
Power Factor:	>0.9
IK:	>0.8
Control system:	Switch On\Off
Input voltage, V:	220V
Ingress Protection Rating, IP:	IP65
Operating temperature:	-40°C to +50°C (at startup: -20°C)

Article	Name	Power, W	Dimensions, mm	Input voltage, V	Beam angle, degrees	Color Temperature, K	Weight, kg
70001560	NOLAN 15W 600mm IP65	15W	120x600	220V	140°	4000K	3,3kg
70001580	NOLAN 15W 800mm IP65	15W	120x800	220V	140°	4000K	3,8kg
70003010	NOLAN 30W 1000mm IP65	30w	178x1000	220V	140°	4000K	8.5kg

BOWLER QUADRO-W



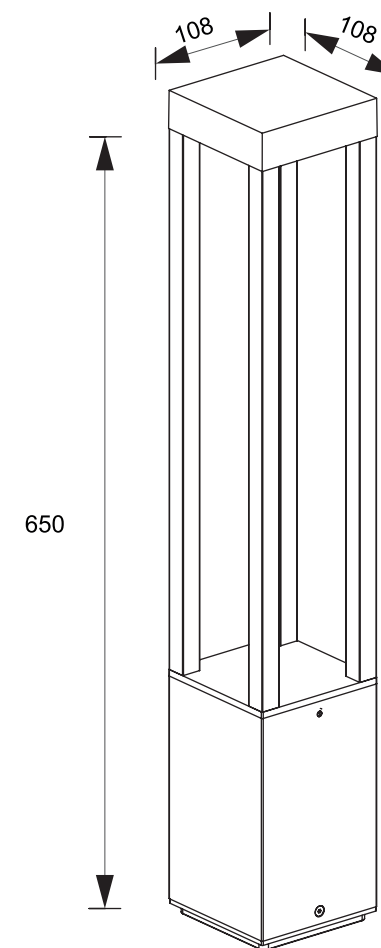
view



1 overall dimensions

size

1



BOWLER QUADRO-W

LED outdoor lighting 7W, IP65.

The luminaire has an ergonomic and convenient design, and is suitable for accentual lighting.

Suitable for use as outdoor lighting. The driver and the power supply are located inside the housing.

Housing:	Pressure die-cast aluminum alloy with polyester powder paint. Body and glass are fitted with silicone sealants.
Fasteners:	Stainless steel, T=2.00mm
Glass:	tempered glass, 3.0 mm
Optical system:	Optical lens. Efficiency >85%
Optics with angles:	29°
Housing color:	Black, Grey, White
Operating temperature:	-40°C – +50°C (at startup: -20°C)
Weight:	2.2 kg
Number of diodes (monochromatic)	1X7W

Article	Name	Power, W	Dimensions, mm	Beam angle°	Light flow, lm	Color rendering index	Power factor (PF)
69503210	Bowler Quadro-W 650 7W 3000K 220V IP65	7 W	108 x 108 x 650	29°	356 lm	82	0,54

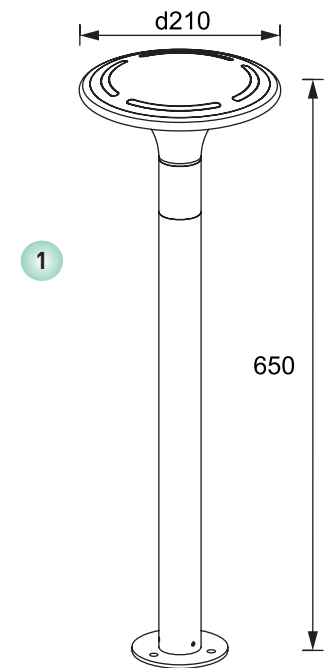
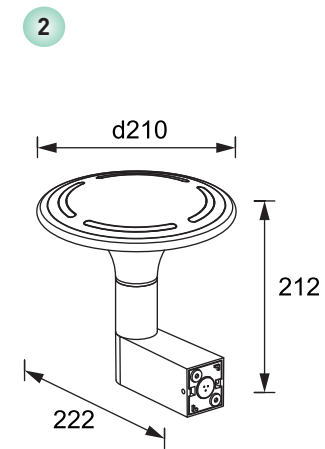
view



1 TARUM-G 650

2 TARUM-W

size



TARUM

LED outdoor lighting 7W, IP65.

The luminaire has an ergonomic and convenient design, and is suitable for accentual lighting.

Suitable for use as outdoor lighting. The driver and the power supply are located inside the housing.

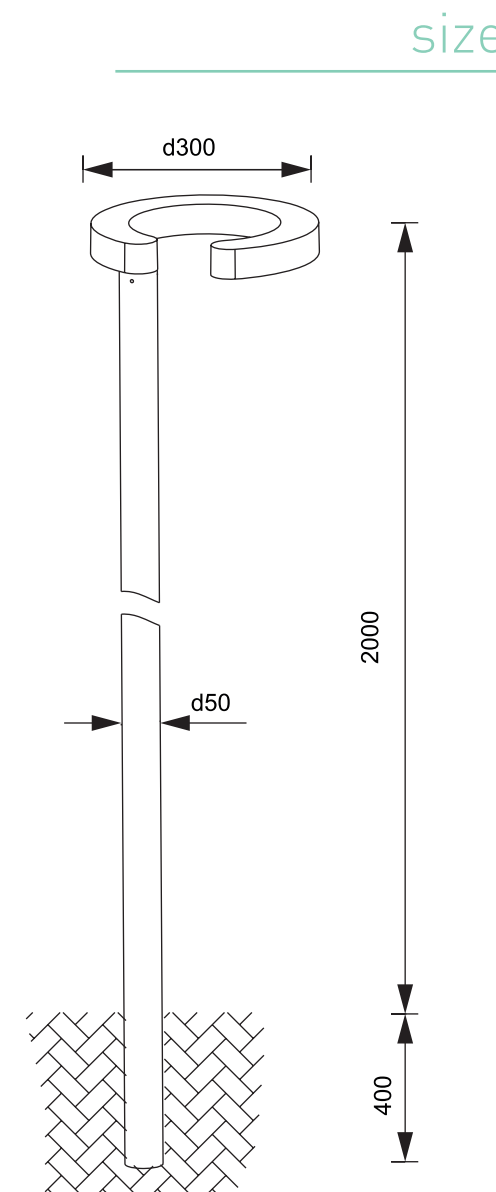
Housing:	Pressure die-cast aluminum alloy with polyester powder paint. Body and glass are fitted with silicone sealants.
Fasteners:	Stainless steel, T=2.00mm
Glass:	tempered glass, 3.0 mm
Optical system:	Optical lens. Efficiency >85%
Optics with angles:	50°
Housing color:	Black, Grey, White
Operating temperature:	-40°C – +50°C (at startup: -20°C)
Weight:	1.00 kg/ 1.43 kg
Number of diodes (monochromatic)	1X7W

Article	Name	Power, W	Dimensions, mm	Beam angle°	Light flow, lm	Color rendering index	Power factor (PF)
69503270	Tarum-W 7W 3000K 220V IP65	7 W	210 x 222 x 212	97°	259 lm	83	0,53
69503280	Tarum-G 650 7W 3000K 220V IP65	7 W	210 x 650	97°	259 lm	83	0,53

view



1 overall dimensions



MEGRY-G

LED outdoor lighting 6W and 24W, IP65.

The luminaire has an ergonomic and convenient design, and is suitable for accentual lighting.

Suitable for use as outdoor lighting. The driver and the power supply are located inside the housing.

Housing:	Pressure die-cast aluminum alloy with polyester powder paint. Body and glass are fitted with silicone sealants.
Fasteners:	Stainless steel, T=2.00mm
Glass:	tempered glass, 3.0 mm
Optical system:	Optical lens. Efficiency >85%
Optics with angles:	54°
Housing color:	Black, Grey, White
Operating temperature:	-40°C – +50°C (at startup: -20°C)
Weight:	3.5 kg
Number of diodes (monochromatic)	12X2W

Article	Name	Power, W	Dimensions, mm	Beam angle°	Light flow, lm	Color rendering index	Power factor (PF)
69503090	Megry-G 2200 24W 3000K 220V IP65	24 W	300 x 2400	54°	732 lm	81	0,94

MELAN-G (350\650)



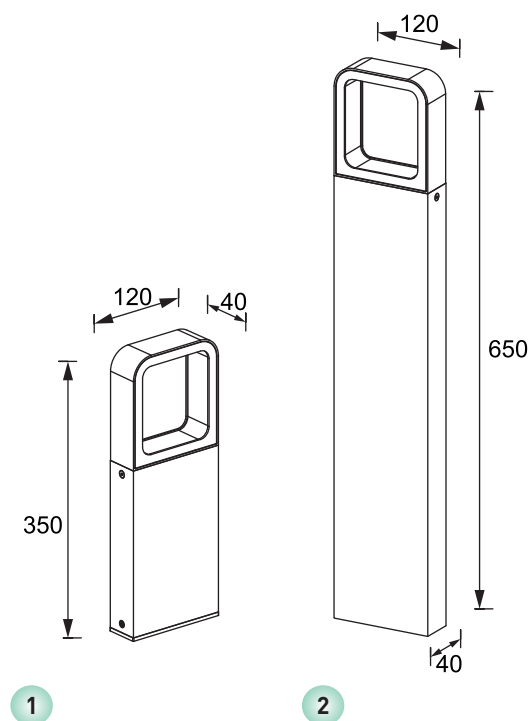
view



1 MELAN-G 350

2 MELAN-G 650

size



MELAN-G (350\650)

LED outdoor lighting 7W, IP65.

The luminaire has an ergonomic and convenient design, and is suitable for accentual lighting.

Suitable for use as outdoor lighting. The driver and the power supply are located inside the housing.

Housing:	Pressure die-cast aluminum alloy with polyester powder paint. Body and glass are fitted with silicone sealants.
Fasteners:	Stainless steel, T=2.00mm
Glass:	tempered glass, 3.0 mm
Optical system:	Optical lens. Efficiency >85%
Optics with angles:	46°
Housing color:	Black, Grey, White
Operating temperature:	-40°C – +50°C (at startup: -20°C)
Weight:	0.94 kg/ 1.88 kg
Number of diodes (monochromatic)	7X1W

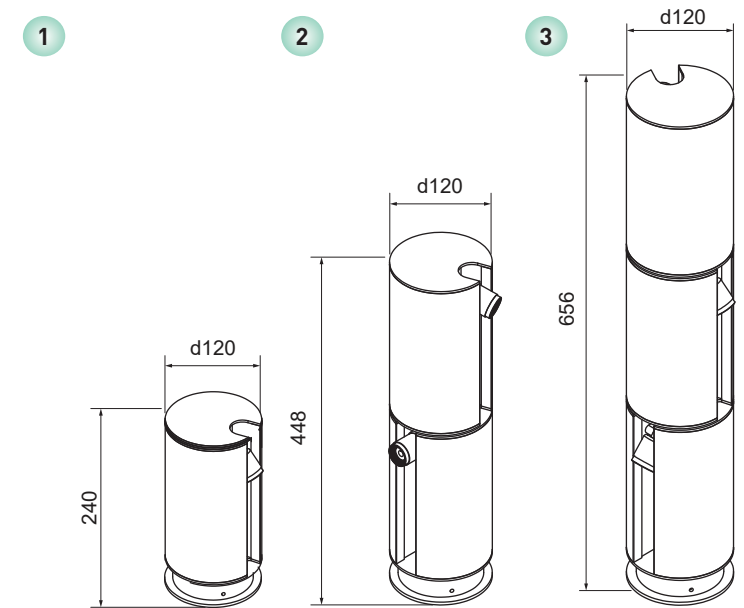
Article	Name	Power, W	Dimensions, mm	Beam angle°	Light flow, lm	Color rendering index	Power factor (PF)
69503110	Melan-G 350 7W 3000K 220V IP65	7 W	120 x 40 x 350 (650)	46°	240 lm	82	0,54
69503120	Melan-G 650 7W 3000K 220V IP65	7 W	120 x 40 x 350 (650)	46°	240 lm	82	0,54

view



- 1 GAZER 3W
- 2 GAZER 6W
- 3 GAZER 9W

size



GAZER

LED outdoor lighting 3W-9W, IP65.

LED street lighting for city parks, squares, walking areas and car parks. Adjustable lighting head inclination angle in X direction. Adjustable body parts in Y direction to achieve the better lighting effects.

Housing:	Pressure die-cast aluminum alloy with polyester powder paint. Body and glass are fitted with silicone sealants.
Fasteners:	Stainless steel, T=2.00mm
Glass:	Tempered glass, 3.0mm
Beam angle:	30°
Housing color:	Black, White
Color temperature, K:	3000K
Color rendering index, CRI:	>80
Control system:	Switch On\Off
Input voltage, V:	220V
Ingress Protection Rating, IP:	IP65
Operating temperature:	-40°C to +50°C

Article	Name	Power, W	Dimensions, mm	Input voltage, V	Beam angle, degrees	Color Temperature, K	Weight, kg
69403010	GAZER 3W 3000K 220V IP65	3W	d120x240	220V	30°	3000K	1.5kg
69406010	GAZER 6W 3000K 220V IP65	6W	d120x448	220V	30°	3000K	3kg
69409010	GAZER 9W 3000K 220V IP65	9W	d120x656	220V	30°	3000K	4.5kg



POLE LIGHTS



OUTLED GULS



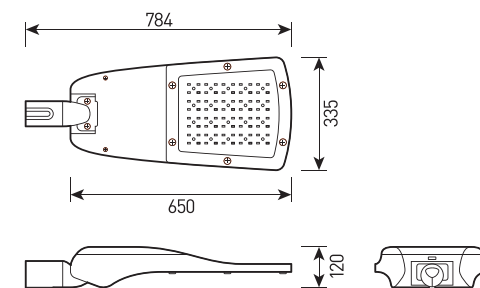
view



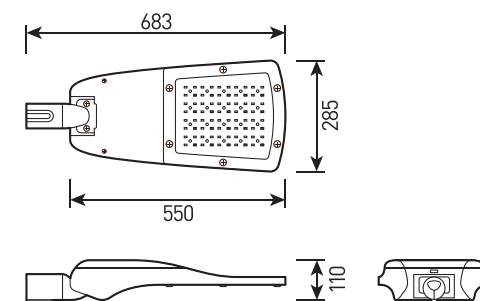
- 1 OUTLED GULS S
- 2 OUTLED GULS M
- 3 OUTLED GULS L



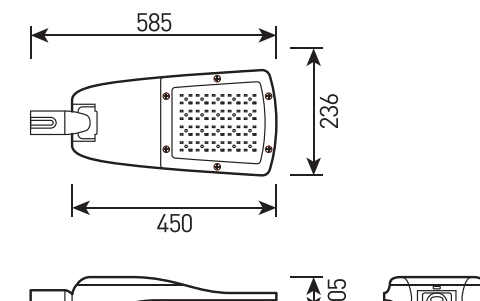
size



3



2



1

OUTLED GULS

Housing:	Pressure die-cast aluminum alloy with polyester powder paint
Housing color:	Black, Grey, RAL
Beam angle:	40°x145°, 1-4 type
IES protection classes:	Class I (SELV)
Color temperature, K:	2700K, 3000K, 4000K, 5000K
Input voltage, V:	220V
Control system:	On/Off, DMX-512, 1-10V
Ingress Protection Rating, IP:	IP66
Operating temperature:	-40°C ~ +50°C
Weight:	5,0-10kg

Article	Name	Power, W	Dimensions, mm	Input voltage, V	Beam angle, degrees	Color temperature, K	Weight, kg
614215012	OUTLED GULS S NEMA 30W 220V 1-10V IP66	30W	450x236x105	220V	40x145° [1-4 type]	2700K, 3000K, 4000K, 5000K	5
614215014	OUTLED GULS S NEMA 60W 220V 1-10V IP66	60W	450x236x105	220V	40x145° [1-4 type]	2700K, 3000K, 4000K, 5000K	5
614215016	OUTLED GULS S NEMA 90W 220V 1-10V IP66	90W	450x236x105	220V	40x145° [1-4 type]	2700K, 3000K, 4000K, 5000K	5
614215026	OUTLED GULS M NEMA 100W 220V 1-10V IP66	100W	550x285x110	220V	40x145° [1-4 type]	2700K, 3000K, 4000K, 5000K	7
614215028	OUTLED GULS M NEMA 130W 220V 1-10V IP66	130W	550x285x110	220V	40x145° [1-4 type]	2700K, 3000K, 4000K, 5000K	7
614215032	OUTLED GULS L NEMA 150W 220V 1-10V IP66	150W	650x335x120	220V	40x145° [1-4 type]	2700K, 3000K, 4000K, 5000K	10
614215034	OUTLED GULS L NEMA 180W 220V 1-10V IP66	180W	650x335x120	220V	40x145° [1-4 type]	2700K, 3000K, 4000K, 5000K	10

view



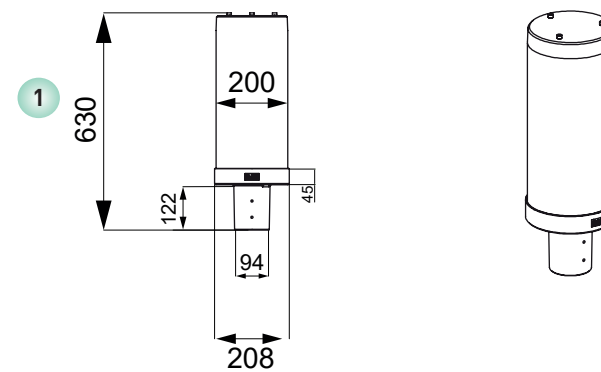
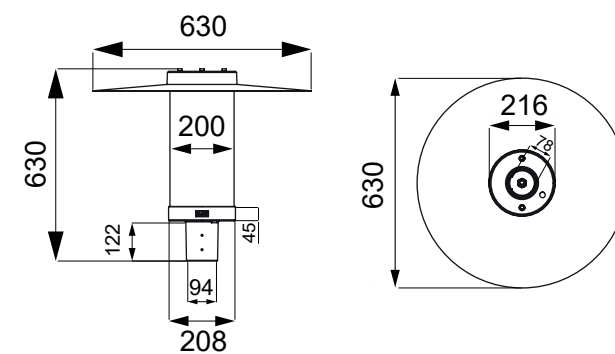
RAL



1 overall dimensions



size



FINLER

LED street lighting for city parks, squares, walking areas and car parks.

Housing:	Pressure die-cast aluminum alloy with polyester powder paint.
Optical Efficiency:	82%
Power Efficiency:	90%
Beam angle:	156x70°, 60x60°, 90x90°, 150x150°
Housing color:	Black, Grey, RAL
Color temperature, K:	3000K-5000K
Color rendering index, CRI:	>70
Power factor:	>0.9
IK:	09
Control system:	Switch On\Off
Input voltage, V:	220V
Ingress Protection Rating, IP:	IP66
Operating temperature:	-40°C to +50°C
Guaranteed lifetime, hours:	>50 000h

Article	Name	Power, W	Dimensions, mm	Input voltage, V	Beam angle, degrees	Color Temperature, K	Weight, kg
756030020	Finler 30W 220V IP66	30W	200x630	220V	60x60°, 90x90°, 150x150°, 156x70°	3000K-5000K	7kg
756045020	Finler 45W 220V IP66	45W	200x630	220V	60x60°, 90x90°, 150x150°, 156x70°	3000K-5000K	7kg
756050020	Finler 50W 220V IP66	50W	200x630	220V	60x60°, 90x90°, 150x150°, 156x70°	3000K-5000K	7kg
756060020	Finler 60W 220V IP66	60W	200x630	220V	60x60°, 90x90°, 150x150°, 156x70°	3000K-5000K	7kg
756080020	Finler 80W 220V IP66	80W	200x630	220V	60x60°, 90x90°, 150x150°, 156x70°	3000K-5000K	7kg
756002055	Finler diffuser	-	d630	-	-	-	0.6kg

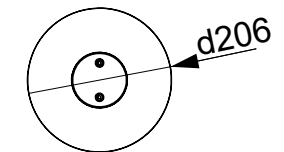
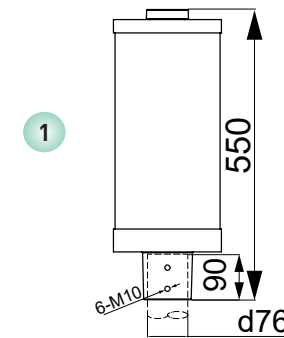
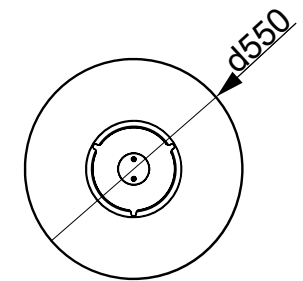
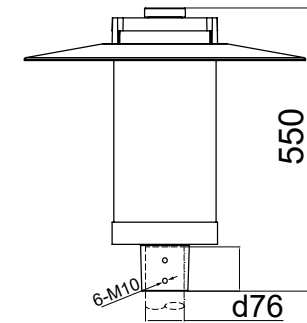
view



RAL



1 overall dimensions



WETAR

LED street lighting for city parks, squares, walking areas and car parks

Housing:	Pressure die-cast aluminum alloy with polyester powder paint.
Beam angle:	60x60°, 90x90°, 150x150°, 156x70°
Housing color:	Black, Grey, RAL
Color temperature, K:	3000K-5000K
Color rendering index, CRI:	>70
Power factor:	>0.9
IK:	10
Control system:	Switch On\Off
Input voltage, V:	220V
Ingress Protection Rating, IP:	IP66
Operating temperature:	-40°C to +50°C
Guaranteed lifetime, hours:	>50 000h

Article	Name	Power, W	Dimensions, mm	Input voltage, V	Beam angle, degrees	Color Temperature, K	Weight, kg
756030030	Wetar U 30W 220V IP66	30W	d206x550	220V	60x60°, 90x90°, 150x150°, 156x70°	3000K-5000K	7kg
756045030	Wetar U 45W 220V IP66	45W	d206x550	220V	60x60°, 90x90°, 150x150°, 156x70°	3000K-5000K	7kg
756055030	Wetar U 55W 220V IP66	55W	d206x550	220V	60x60°, 90x90°, 150x150°, 156x70°	3000K-5000K	7kg
756030040	Wetar D 30W 220V IP66	30W	d206x550	220V	60x60°, 90x90°, 150x150°, 156x70°	3000K-5000K	7kg
756045040	Wetar D 45W 220V IP66	45W	d206x550	220V	60x60°, 90x90°, 150x150°, 156x70°	3000K-5000K	7kg
756055040	Wetar D 55W 220V IP66	55W	d206x550	220V	60x60°, 90x90°, 150x150°, 156x70°	3000K-5000K	7kg
756001055	Wetar Diffuser	-	d550	-	-	-	0.6kg

HUNT/HUNT MIRROR



view



size

1 overall dimensions

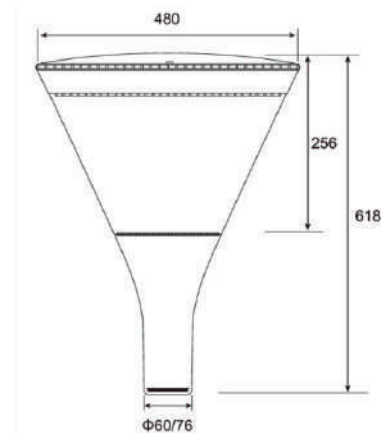
HUNT



HUNT MIRROR



1



<https://img-lighting.com/>

HUNT/ HUNT MIRROR

LED street lighting for lighting parks, squares, walking areas and car parks. The optical part has different beam angles and protected by a polycarbonate diffuser.

Housing:	Pressure die-cast aluminum alloy with polyester powder paint.
Beam angle:	60°, 90°, 120°, 60x90°, 90x120°, diffused light
Housing color:	Black, Grey
Color temperature, K:	3000K, 4000K
Color rendering index, CRI:	≥80
Control system:	Switch On\Off
Input voltage, V:	220V
Ingress Protection Rating, IP:	IP66
Operating temperature:	-40°C to +50°C (at startup: -20°C)

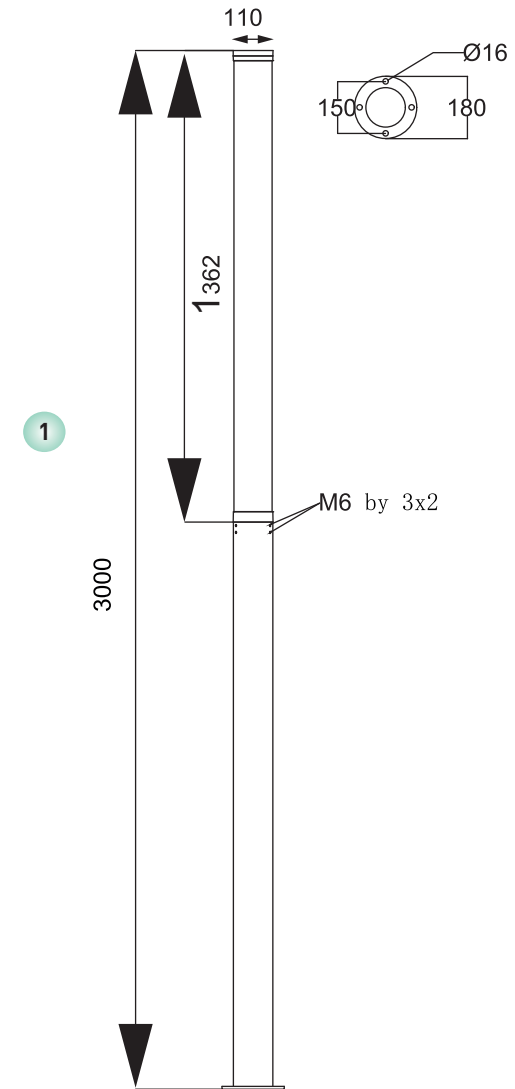
Article	Name	Power, W	Dimensions, mm	Input voltage, V	Beam angle, degrees	Color Temperature, K	Weight, kg
79801001	HUNT 50W 3000K IP66	50W	480x618	220V	60°, 90°, 120°, 60x90°, 90x120°	3000K	8kg
79802001	HUNT 50W 4000K IP66	50W	480x618	220V	60°, 90°, 120°, 60x90°, 90x120°	4000K	8kg
79803001	HUNT 80W 3000K IP66	80W	480x618	220V	60°, 90°, 120°, 60x90°, 90x120°	3000K	8kg
79804001	HUNT 80W 4000K IP66	80W	480x618	220V	60°, 90°, 120°, 60x90°, 90x120°	4000K	8kg
79805001	HUNT 100W 3000K IP66	100W	480x618	220V	60°, 90°, 120°, 60x90°, 90x120°	3000K	8kg
79806001	HUNT 100W 4000K IP66	100W	480x618	220V	60°, 90°, 120°, 60x90°, 90x120°	4000K	8kg
79807001	HUNT MIRROR 40W 3000K IP65	40W	480x618	220V	diffused light	3000K	8kg
79808001	HUNT MIRROR 40W 4000K IP66	40W	480x618	220V	diffused light	4000K	8kg
79809001	HUNT MIRROR 60W 3000K IP65	60W	480x618	220V	diffused light	3000K	8kg
79810001	HUNT MIRROR 60W 4000K IP66	60W	480x618	220V	diffused light	4000K	8kg

view

RAL



1 overall dimensions



size

LOGIC

The series of light intended for landscape lighting, shopping centres and business-centres.

Housing:	Pressure die-cast aluminum alloy with polyester powder paint.
Beam angle:	diffused light
Housing color:	RAL
Color temperature, K:	2700K - 6500K, RGB
Color rendering index, CRI:	>70
Control system:	Switch On\Off, DMX-512, RDM
Input voltage, V:	220V
Ingress Protection Rating, IP:	IP65
Operating temperature:	-40°C to +50°C
Guaranteed lifetime, hours:	>35 000h

Article	Name	Power, W	Dimensions, mm	Input voltage, V	Beam angle, degrees	Color Temperature, K	Weight, kg
692040020	LOGIC 110 40W 2700K 220V IP65	40W	d110x3000	220V	diffused light	2700K	10.3kg
692040030	LOGIC 110 40W 3000K 220V IP65	40W	d110x3000	220V	diffused light	3000K	10.3kg
692040040	LOGIC 110 40W 4000K 220V IP65	40W	d110x3000	220V	diffused light	4000K	10.3kg
692040050	LOGIC 110 40W 5000K 220V IP65	40W	d110x3000	220V	diffused light	5000K	10.3kg
692040060	LOGIC 110 40W 6500K 220V IP65	40W	d110x3000	220V	diffused light	6500K	10.3kg
692020070	LOGIC 110 20W RGB 220V IP65	20W	d110x3000	220V	diffused light	RGB	10.3kg

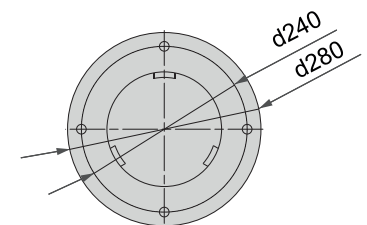
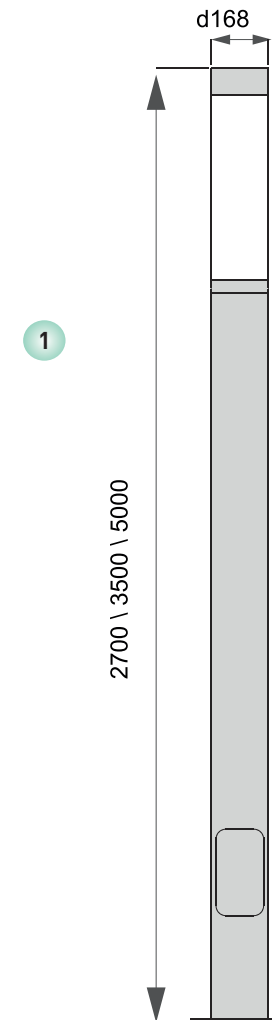
view



RAL



1 overall dimensions



size

BERG

Universally designed park LED Bollard with different heights. Driver and power supply is located inside the housing. Ground or floor stable mounting is possible by using flange. The series of light intended for landscape lighting, shopping centres and business-center.

Housing:	Pressure die-cast aluminum alloy with polyester powder paint.
Beam angle:	diffused light
Housing color:	Metallic, RAL
Color temperature, K:	3000K -6000K
Color rendering index, CRI:	>70
IK:	>08
Control system:	Switch On\Off
Input voltage, V:	220V
Ingress Protection Rating, IP:	IP65
Operating temperature:	-40°C to +50°C (at startup -25°C)

Article	Name	Power, W	Dimensions, mm	Input voltage, V	Beam angle, degrees	Color Temperature, K	Weight, kg
71205027	BERG 50W 2700mm IP65	50W	d168x2700	220V	diffused light	3000K-6000K	20,4kg
71205035	BERG 50W 3500mm IP65	50W	d168x3500	220V	diffused light	3000K-6000K	24kg
71205050	BERG 50W 5000mm IP65	50W	d168x5000	220V	diffused light	3000K-6000K	38kg

APOLLO S/M



view



RAL

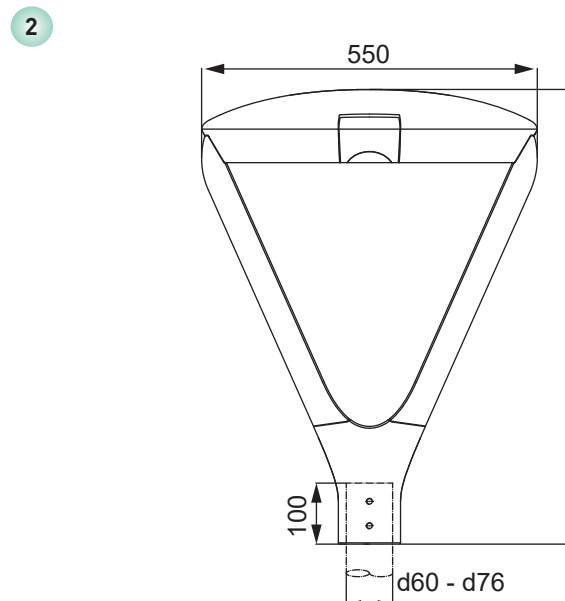
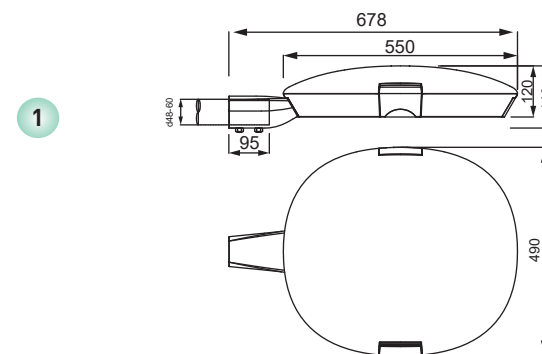


1 APOLLO S

2 APOLLO M



size



<https://img-lighting.com/>

APOLLO S/M

Pendant street lighting for mounting on the tensioned metal cable in parks, streets and city areas with the wide range of light distribution types.

Housing:	Pressure die-cast aluminum alloy with polyester powder paint.
Beam angle:	150x75, 145x130, 150x105, 160x60, 150x70, 155x55, 120x15
Housing color:	Black, Grey, RAL
Color temperature, K:	3000K - 5000K
Color rendering index, CRI:	>70
IK:	10
Power factor:	>0.9
Control system:	Switch On\Off
Input voltage, V:	220V
Ingress Protection Rating, IP:	IP66
Operating temperature:	-40°C to +50°C
Guaranteed lifetime, hours:	>75 000h

Article	Name	Power, W	Dimensions, mm	Input voltage, V	Beam angle, degrees	Color Temperature, K	Weight, kg
754040010	APOLLO S 40W 220V IP66	40W	490x678x120	220V	150x75°, 145x130°, 150x105°, 160x60°, 150x70°, 155x55°, 120x15°	3000K-5000K	10kg
754055010	APOLLO S 55W 220V IP66	55W	490x678x120	220V	150x75°, 145x130°, 150x105°, 160x60°, 150x70°, 155x55°, 120x15°	3000K-5000K	10kg
754070010	APOLLO S 70W 220V IP66	70W	490x678x120	220V	150x75°, 145x130°, 150x105°, 160x60°, 150x70°, 155x55°, 120x15°	3000K-5000K	10kg
754110010	APOLLO S 110W 220V IP66	110W	490x678x120	220V	150x75°, 145x130°, 150x105°, 160x60°, 150x70°, 155x55°, 120x15°	3000K-5000K	10kg
754150010	APOLLO S 150W 220V IP66	150W	490x678x120	220V	150x75°, 145x130°, 150x105°, 160x60°, 150x70°, 155x55°, 120x15°	3000K-5000K	10kg
754040020	APOLLO M 40W 220V IP66	40W	490\550x745	220V	150x75°, 145x130°, 150x105°, 160x60°, 150x70°, 155x55°, 120x15°	3000K-5000K	12kg
754055020	APOLLO M 55W 220V IP66	55W	490\550x745	220V	150x75°, 145x130°, 150x105°, 160x60°, 150x70°, 155x55°, 120x15°	3000K-5000K	12kg
754070020	APOLLO M 70W 220V IP66	70W	490\550x745	220V	150x75°, 145x130°, 150x105°, 160x60°, 150x70°, 155x55°, 120x15°	3000K-5000K	12kg
754110020	APOLLO M 100W 220V IP66	110W	490\550x745	220V	150x75°, 145x130°, 150x105°, 160x60°, 150x70°, 155x55°, 120x15°	3000K-5000K	12kg
754150020	APOLLO M 150W 220V IP66	150W	490\550x745	220V	150x75°, 145x130°, 150x105°, 160x60°, 150x70°, 155x55°, 120x15°	3000K-5000K	12kg

view



RAL

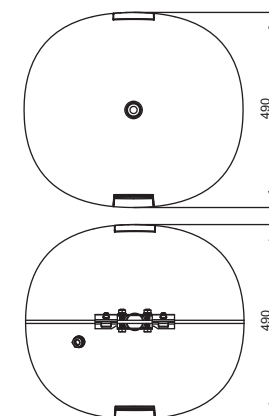
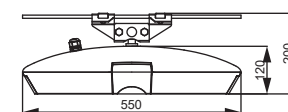
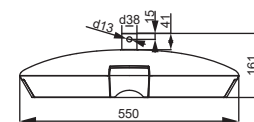


size

1 overall dimensions



1



APOLLO L

Pendant street lighting for mounting on the tensioned metal cable in parks, streets and city areas with the wide range of light distribution types.

Housing:	Pressure die-cast aluminum alloy with polyester powder paint.
Beam angle:	150x75, 145x130, 150x105, 160x60, 150x70, 155x55, 120x15
Housing color:	Black, Grey, RAL
Color temperature, K:	3000K - 5000K
Color rendering index, CRI:	>70
IK:	10
Power factor:	>0.9
Control system:	Switch On\Off
Input voltage, V:	220V
Ingress Protection Rating, IP:	IP66
Operating temperature:	-40°C to +50°C
Guaranteed lifetime, hours:	>75 000h

Article	Name	Power, W	Dimensions, mm	Input voltage, V	Beam angle, degrees	Color Temperature, K	Weight, kg
754040030	APOLLO L 40W 220V IP66	40W	550x490x161	220V	150x75°, 145x130°, 150x105°, 160x60°, 150x70°, 155x55°, 120x15°	3000K-5000K	10kg
754055030	APOLLO L 55W 220V IP66	55W	550x490x161	220V	150x75°, 145x130°, 150x105°, 160x60°, 150x70°, 155x55°, 120x15°	3000K-5000K	10kg
754070030	APOLLO L 70W 220V IP66	70W	550x490x161	220V	150x75°, 145x130°, 150x105°, 160x60°, 150x70°, 155x55°, 120x15°	3000K-5000K	10kg
754110030	APOLLO L 100W 220V IP66	110W	550x490x161	220V	150x75°, 145x130°, 150x105°, 160x60°, 150x70°, 155x55°, 120x15°	3000K-5000K	10kg
754150030	APOLLO L 150W 220V IP66	150W	550x490x161	220V	150x75°, 145x130°, 150x105°, 160x60°, 150x70°, 155x55°, 120x15°	3000K-5000K	10kg
754040040	APOLLO L clip 40W 220V IP66	40W	550x490x200	220V	150x75°, 145x130°, 150x105°, 160x60°, 150x70°, 155x55°, 120x15°	3000K-5000K	10kg
754055040	APOLLO L clip 55W 220V IP66	55W	550x490x200	220V	150x75°, 145x130°, 150x105°, 160x60°, 150x70°, 155x55°, 120x15°	3000K-5000K	10kg
754070040	APOLLO L clip 70W 220V IP66	70W	550x490x200	220V	150x75°, 145x130°, 150x105°, 160x60°, 150x70°, 155x55°, 120x15°	3000K-5000K	10kg
754110040	APOLLO L clip 100W 220V IP66	110W	550x490x200	220V	150x75°, 145x130°, 150x105°, 160x60°, 150x70°, 155x55°, 120x15°	3000K-5000K	10kg
754150040	APOLLO L clip 150W 220V IP66	150W	550x490x200	220V	150x75°, 145x130°, 150x105°, 160x60°, 150x70°, 155x55°, 120x15°	3000K-5000K	10kg

view

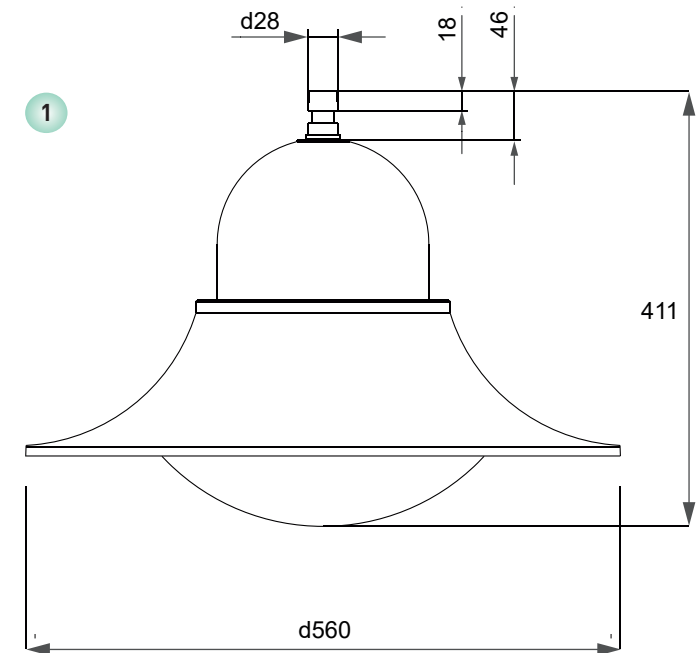


RAL



size

1 overall dimensions



TALIP

LED outdoor lighting 50W, IP66.

Park flower designed lamp for mounting on a support consisting suits for lighting big park areas.

Housing:	Pressure die-cast aluminum alloy with polyester powder paint. Body and glass are fitted with silicone sealants.
Mounting type:	To the pole up to d28mm
Hight of pillar:	4-6m
Beam angle:	115°, 135x50°, 140x70°, 150x40°
Housing color:	Black, RAL
Color temperature, K:	3000K-6000K
Color rendering index, CRI:	>70
IK:	08
Control system:	Switch On\Off
Input voltage, V:	220V
Ingress Protection Rating, IP:	IP66
Operating temperature:	-40°C to +50°C (at startup: -20°C)
Guaranteed lifetime, hours:	>50 000h

Article	Name	Power, W	Dimensions, mm	Input voltage, V	Beam angle, degrees	Color Temperature, K	Weight, kg
71105010	TALIP 50W 220V IP66	50W	d560x411\ d28	220V	115°, 135x50°, 140x70°, 150x40°	3000K-6000K	5,8kg

view

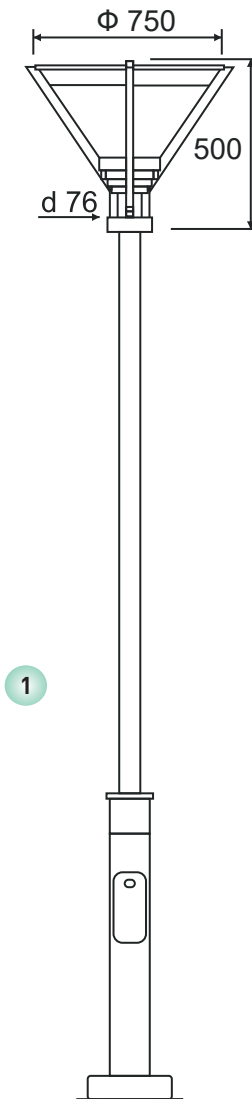


RAL



1 overall dimensions

size



GUEST

Park classic designed lamp for mounting on a support consisting suits for lighting big park areas.

Housing:	Pressure die-cast aluminum alloy with polyester powder paint.
Mounting type:	to the pole up to d76mm
Beam angle:	60°, 90°, 60x120°, 90x120°
Housing color:	Black, Metallic, RAL
Color temperature, K:	3000K-6000K
Color rendering index, CRI:	>70
Control system:	Switch On\Off
Input voltage, V:	220V
Ingress Protection Rating, IP:	IP65
Operating temperature:	-40°C to +50°C (at startup: -20°C)
Guaranteed lifetime, hours:	>50 000h

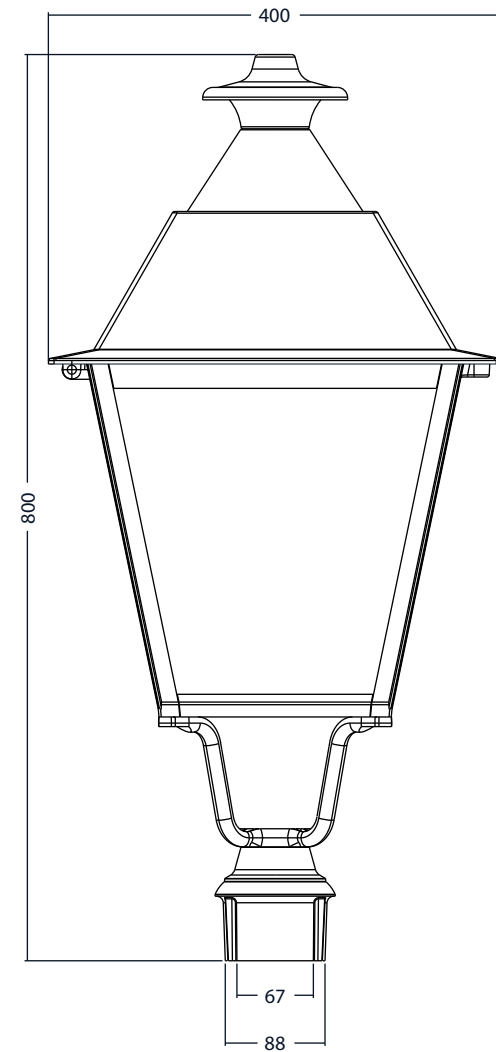
Article	Name	Power, W	Dimensions, mm	Input voltage, V	Beam angle, degrees	Color Temperature, K	Weight, kg
719060010	GUEST 60W 220V IP65	60W	d750x500 \d76	220V	60°, 90°, 60x120°, 90x120°	3000K-6000K	12kg
719080010	GUEST 80W 220V IP65	80W	d750x500 \d76	220V	60°, 90°, 60x120°, 90x120°	3000K-6000K	12kg
719100010	GUEST 100W 220V IP65	100W	d750x500 \d76	220V	60°, 90°, 60x120°, 90x120°	3000K-6000K	12kg

view



size

1 overall dimensions



TRUMP

Park classic designed lamp for mounting on a support consisting suits for lighting big park areas.

Housing:	Pressure die-cast aluminum alloy with polyester powder paint.
Diameter of fixing:	d60
Hight of pillar:	3-6m
Beam angle:	115°, 135x50°, 140x70°, 150x40°
Housing color:	Black
Color temperature, K:	3000K-6000K
Color rendering index, CRI:	>70
IK:	08
Control system:	Switch On\Off
Input voltage, V:	220V
Ingress Protection Rating, IP:	IP66
Operating temperature:	-40°C to +50°C (at startup: -20°C)
Guaranteed lifetime, hours:	>50 000h

Article	Name	Power, W	Dimensions, mm	Input voltage, V	Beam angle, degrees	Color Temperature, K	Weight, kg
70904010	TRUMP 40W 220V IP66	40W	800x400	220V	115°, 135x50°, 140x70°, 150x40°	3000K-6000K	9kg
70906010	TRUMP 60W 220V IP66	60W	800x400	220V	115°, 135x50°, 140x70°, 150x40°	3000K-6000K	9kg

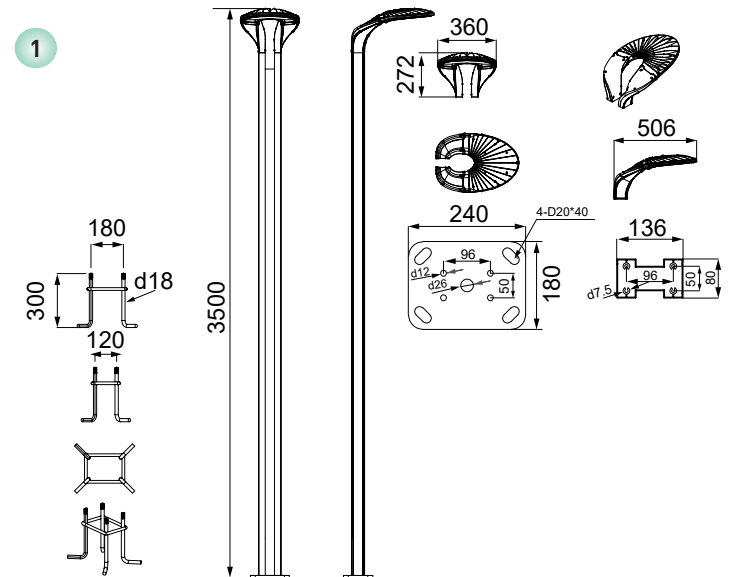
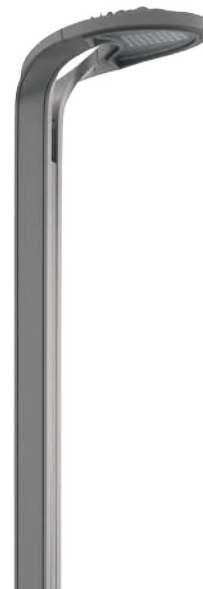
view



RAL

size

1 overall dimensions



ALCOR

Decorative Led lighting for mounting with pole up to 4 meters, for functional decorative lighting of parks, alleys, squares. The modern design combined with elegant forms of pole is an excellent solution for any project of "Big city" style.

Housing:	Pressure die-cast aluminum alloy with polyester powder paint.
Beam angle:	60x120°
Housing color:	Grey, RAL
Color temperature, K:	3000K - 5600K
Color rendering index, RA:	>70
Power factor:	>0.9
IES protection classes:	Class I (SELV)
Control system:	Switch On\Off
Input voltage, V:	220V
Ingress Protection Rating, IP:	IP65
Operating temperature:	-40°C to +50°C
Guaranteed lifetime, hours:	>50 000h

Article	Name	Power, W	Dimensions, mm	Input voltage, V	Beam angle, degrees	Color Temperature, K	Weight, kg
616030001	ALCOR 30W 3000K IP65 (on support 3,5m)	30W	360x507x272 (3500)	220V	60x120°	3000K	12kg
616030002	ALCOR 30W 4000K IP65 (on support 3,5m)	30W	360x507x272 (3500)	220V	60x120°	4000K	12kg
616030003	ALCOR 30W 5600K IP65 (on support 3,5m)	30W	360x507x272 (3500)	220V	60x120°	5600K	12kg
616040001	ALCOR 40W 3000K IP65 (on support 3,5m)	40W	360x507x272 (3500)	220V	60x120°	3000K	12kg
616040002	ALCOR 40W 4000K IP65 (on support 3,5m)	40W	360x507x272 (3500)	220V	60x120°	4000K	12kg
616040003	ALCOR 40W 5600K IP65 (on support 3,5m)	40W	360x507x272 (3500)	220V	60x120°	5600K	12kg
616060001	ALCOR 60W 3000K IP65 (on support 3,5m)	60W	360x507x272 (3500)	220V	60x120°	3000K	12kg
616060002	ALCOR 60W 4000K IP65 (on support 3,5m)	60W	360x507x272 (3500)	220V	60x120°	4000K	12kg
616060003	ALCOR 60W 5600K IP65 (on support 3,5m)	60W	360x507x272 (3500)	220V	60x120°	5600K	12kg

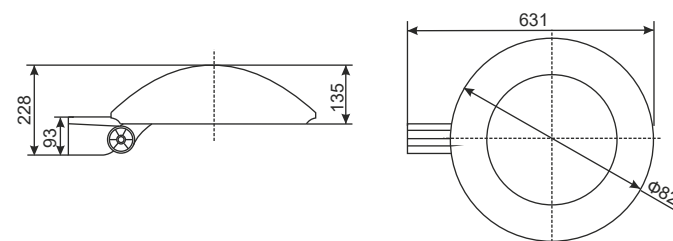
view



RAL



1 overall dimensions



1

size

STOWN

Floor type lighting for mounting with pole in parks, squares.

Housing:	Pressure die-cast aluminum alloy with polyester powder paint.
Mounting type:	to the pole up to d48-60mm
Beam angle:	60°, 90°, 60x120°, 90x120°
Housing color:	Metallic, RAL
Color temperature, K:	3000K - 6000K
Color rendering index, CRI:	>70
IK:	08
Control system:	Switch On/Off
Input voltage, V:	220V
Ingress Protection Rating, IP:	IP65
Operating temperature:	-40°C to +50°C
Guaranteed lifetime, hours:	>50 000h

Article	Name	Power, W	Dimensions, mm	Input voltage, V	Beam angle, degrees	Color Temperature, K	Weight, kg
705080010	STOWN 80W 220V IP65	80W	d520x228 / d48-60	60°, 90°, 60x120°, 90x120°	3000K-6000K	220V	10kg
705100010	STOWN 100W 220V IP65	100W	d520x228 / d48-60	60°, 90°, 60x120°, 90x120°	3000K-6000K	220V	10kg

view



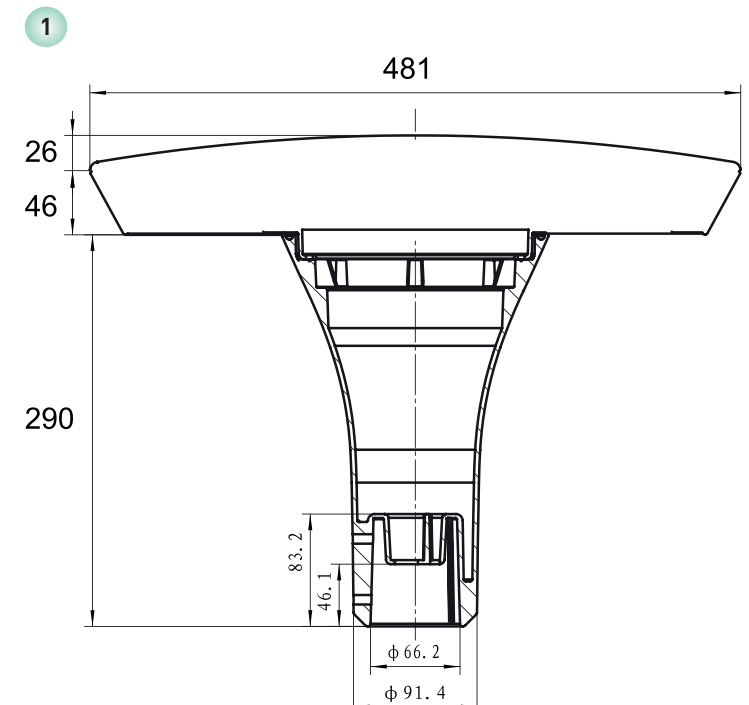
RAL



1 overall dimensions



size



BOLARD

Floor type lighting for mounting with pole in parks, squares.

Housing:	Pressure die-cast aluminum alloy with polyester powder paint.
Mounting type:	to the pole up to d60mm
Beam angle:	60°, 90°, 60x120°, 90x120°
Housing color:	Metallic, RAL
Color temperature, K:	3000K, 4000K
Color rendering index, RA:	>70
Control system:	Switch On\Off
Input voltage, V:	220V
Ingress Protection Rating, IP:	IP66
Operating temperature:	-40°C to +50°C

Article	Name	Power, W	Dimensions, mm	Input voltage, V	Beam angle, degrees	Color Temperature, K	Weight, kg
796050030	BOLARD 50W 3000K 220V IP66	50W	481x362	60°, 90°, 60x120°, 90x120°	3000K	220V	12kg
796050040	BOLARD 50W 4000K 220V IP66	50W	481x362	60°, 90°, 60x120°, 90x120°	4000K	220V	12kg
79606030	BOLARD 75W 3000K 220V IP66	75W	481x362	60°, 90°, 60x120°, 90x120°	3000K	220V	12kg
79606040	BOLARD 75W 4000K 220V IP66	75W	481x362	60°, 90°, 60x120°, 90x120°	4000K	220V	12kg
79609030	BOLARD 100W 3000K 220V IP66	100W	481x362	60°, 90°, 60x120°, 90x120°	3000K	220V	12kg
79609040	BOLARD 100W 4000K 220V IP66	100W	481x362	60°, 90°, 60x120°, 90x120°	4000K	220V	12kg

view

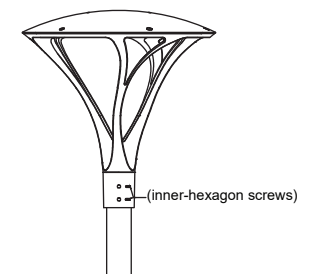
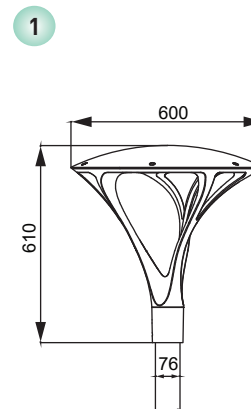


RAL



size

1 overall dimensions



JONGLA

LED street lighting for city parks, squares, walking areas and car parks.

Housing:	Pressure die-cast aluminum alloy with polyester powder paint.
Beam angle:	60x60°, 90x90°, 150x150°, 100x65°, 142x52°
Housing color:	Grey, RAL
Optical Efficiency:	82%
Power Efficiency:	87%
Power factor:	92%
Color temperature, K:	2700K-5000K
Color rendering index, CRI:	>80
IK:	09
Control system:	Switch On\Off
Input voltage, V:	220V
Ingress Protection Rating, IP:	IP66
Operating temperature:	-40°C to +50°C
Guaranteed lifetime, hours:	>50 000h

Article	Name	Power, W	Dimensions, mm	Input voltage, V	Beam angle, degrees	Color Temperature, K	Weight, kg
748050010	JONGLA 50W single color 220V IP66	50W	d600x610	220V	60x60°, 90x90°, 150x150°, 100x65°, 142x52°	2700K-5000K	10kg
748080010	JONGLA 80W single color 220V IP66	80W	d600x610	220V	60x60°, 90x90°, 150x150°, 100x65°, 142x52°	2700K-5000K	10kg
748100010	JONGLA 100W single color 220V IP66	100W	d600x610	220V	60x60°, 90x90°, 150x150°, 100x65°, 142x52°	2700K-5000K	10kg
748050015	JONGLA SINGLE 50W single color 220V IP66	50W	d600x610	220V	60x60°, 90x90°, 150x150°, 100x65°, 142x52°	2700K-5000K	12kg
748080015	JONGLA SINGLE 80W single color 220V IP66	80W	d600x610	220V	60x60°, 90x90°, 150x150°, 100x65°, 142x52°	2700K-5000K	12kg
748100015	JONGLA SINGLE 100W single color 220V IP66	100W	d600x610	220V	60x60°, 90x90°, 150x150°, 100x65°, 142x52°	2700K-5000K	12kg
748050020	JONGLA DOUBLE 2x50W single color 220V IP66	2x50W	2xd600x610	220V	60x60°, 90x90°, 150x150°, 100x65°, 142x52°	2700K-5000K	29kg
748080020	JONGLA DOUBLE 2x80W single color 220V IP66	2x80W	2xd600x610	220V	60x60°, 90x90°, 150x150°, 100x65°, 142x52°	2700K-5000K	29kg
748100020	JONGLA DOUBLE 2x100W single color 220V IP66	2x100W	2xd600x610	220V	60x60°, 90x90°, 150x150°, 100x65°, 142x52°	2700K-5000K	29kg



PENDANT
LIGHTS



LAULED BASIC



view



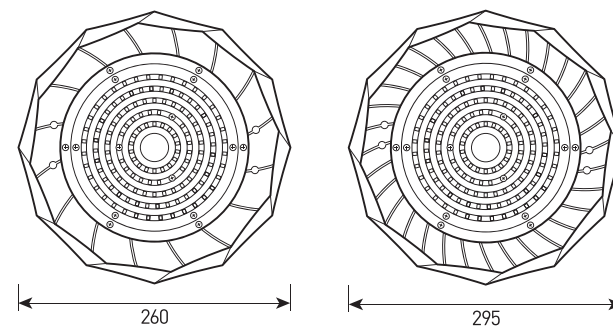
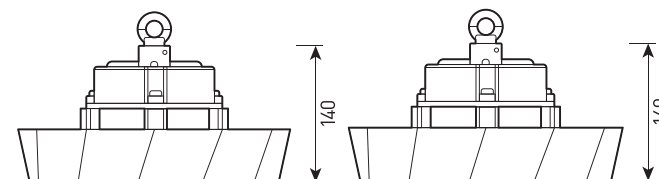
RAL



1 overall dimensions



size



1

LAULED BASIC

Pendant industrial LED lighting IP65.

Housing:	Pressure die-cast aluminum alloy with polyester powder paint
Housing color:	Grey, White, RAL
Beam angle:	30°, 60°, 90°, 120°
IES protection classes:	Class I (SELV)
Color temperature, K:	3000K - 6500K
Color rendering index, Ra:	>75
Overvoltage protection:	>6.5KV
Input voltage, V:	220V
Power factor (PF):	0.9
Control system:	Switch On\Off, 1-10V, PWM, DALI
Ingress Protection Rating, IP:	IP65
Operating temperature:	-40°C ~ +50°C
Guaranteed lifetime, hours:	>50 000h

Article	Name	Power, W	Dimensions, mm	Input voltage, V	Beam angle, degrees	Color temperature, K	Weight, kg
795100002	LAULED BASIC 100W 220V non-dim IP65	100W	d260 x 136	220V	30°, 60°, 90°, 120°	3000K, 4000K, 5000K, 6000K, 6500K	3,40
795150003	LAULED BASIC 150W 220V non-dim IP65	150W	d260 x 136	220V	30°, 60°, 90°, 120°	3000K, 4000K, 5000K, 6000K, 6500K	3,80
795200004	LAULED BASIC 200W 220V non-dim IP65	200W	d260 x 136	220V	30°, 60°, 90°, 120°	3000K, 4000K, 5000K, 6000K, 6500K	4,50
795200005	LAULED BASIC 340W 220V non-dim IP65	340W	-	220V	70°, 90°	3000K, 4000K, 5000K, 6000K, 6500K	10,00
400052	LAULED BASIC 60°/90°/120° aluminum reflector	-	-	-	-	-	0,58
400057	LAULED BASIC matt diffuser for aluminum reflector	-	-	-	-	-	0,60
400082	LAULED BASIC mounting lyra	-	-	-	-	-	0,20

LAULED SQUARE



view



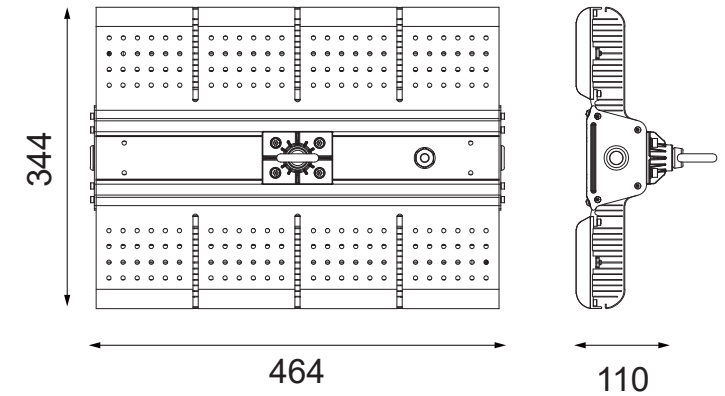
RAL



1 overall dimensions



size



1

LAULED SQUARE

Multifunctional floodlight for general purpose areas.

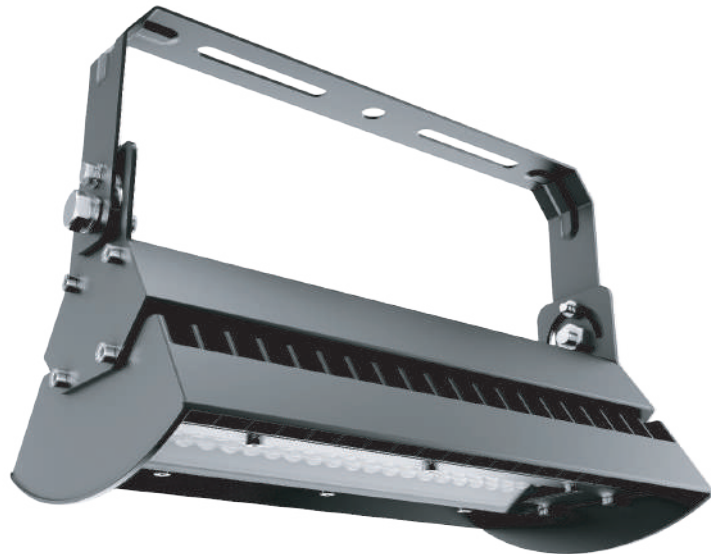
Housing:	Pressure die-cast aluminum alloy with polyester powder paint
Housing color:	Black, Grey, RAL
Beam angle:	25°; 60°; 90°; 75x135°
IES protection classes:	Class I (SELV)
Color temperature, K:	3000K - 6500K
Color rendering index, Ra:	>70
Input voltage, V:	220V
Control system:	Switch On\Off
Power factor (PF):	0.95
Ingress Protection Rating, IP:	IP66
Operating temperature:	-40°C ~ +50°C
Guaranteed lifetime, hours:	>75 000h
Additional option:	Motion sensor

Article	Name	Power, W	Dimensions, mm	Input voltage, V	Beam angle, degrees	Color temperature, K	Weight, kg
895150020	LAULED SQUARE 150W single 220V IP65	150W	464x344x110	220V	60°, 75x135°	3000K-6500K	8.6kg
895200020	LAULED SQUARE 200W single 220V IP65	200W	464x344x110	220V	60°, 75x135°	3000K-6500K	8.6kg

APOLED LINE

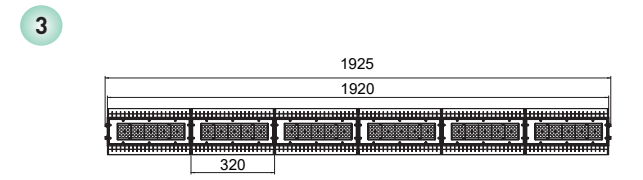
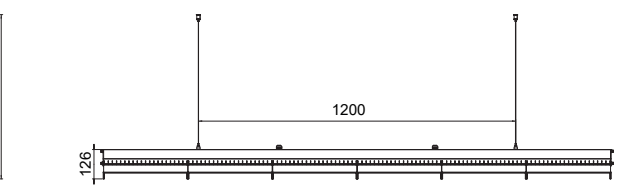
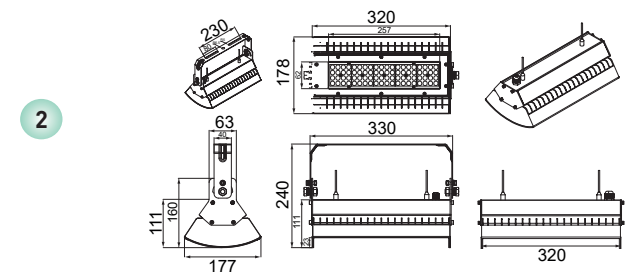
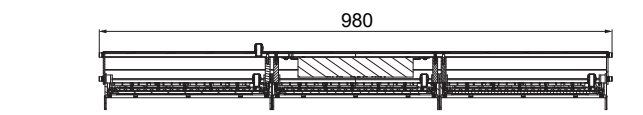
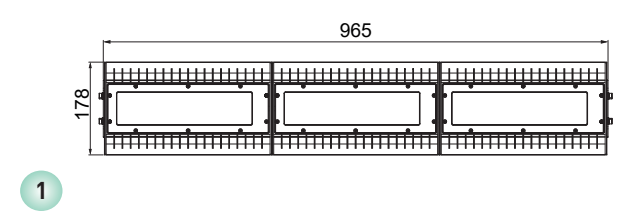
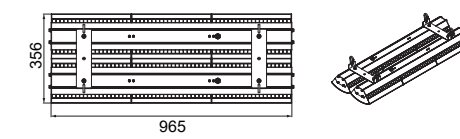
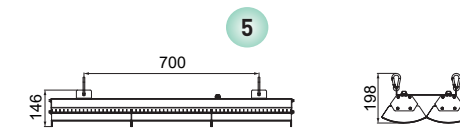
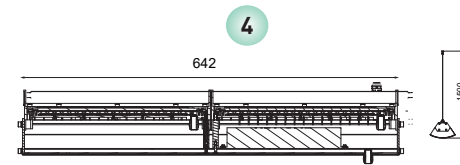


view



size

- 1 OUTLED NEMA S
- 2 APOLED LINE 60W
- 3 APOLED LINE 400W
- 4 APOLED LINE 120W
- 5 OUTLED NEMA L



APOLED LINE

Modular pendant light is perfect for for warehouses and retail space.

Housing:	Pressure die-cast aluminum alloy with polyester powder paint
Housing color:	Black, Grey, RAL
Beam angle:	60°; 75x135°
IES protection classes:	Class I (SELV)
Color temperature, K:	3000K - 6500K
Color rendering index, Ra:	>70
Input voltage, V:	220V
Control system:	Switch On\Off, PWM, 1-10V
Power factor (PF):	0.95
Ingress Protection Rating, IP:	IP65
Operating temperature:	-40°C ~ +50°C
Guaranteed lifetime, hours:	>75 000h
Additional option:	Motion sensor

Article	Name	Power, W	Dimensions, mm	Input voltage, V	Beam angle, degrees	Color temperature, K	Weight, kg
895060010	APOLED LINE 60W single 220V IP65	60W	320x178x111	220V	60°, 75x135°	3000K-6500K	3.2kg
895120010	APOLED LINE 120W single 220V IP65	120W	642x178x111	220V	60°, 75x135°	3000K-6500K	4.5kg
895200010	APOLED LINE 200W single 220V IP65	200W	965x175x111	220V	60°, 75x135°	3000K-6500K	6.7kg
895240010	APOLED LINE 240W single 220V IP65	240W	965x175x111	220V	60°, 75x135°	3000K-6500K	6.7kg
895400010	APOLED LINE 400W single 220V IP65	400W	1925x178x?	220V	60°, 75x135°	3000K-6500K	13.4kg



GOBO LIGHTS



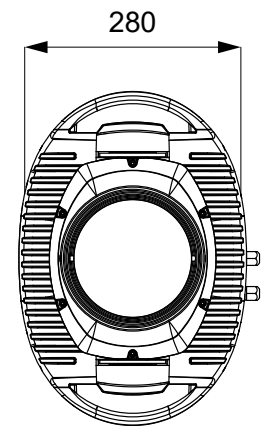
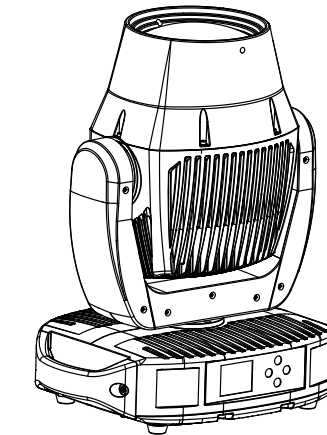
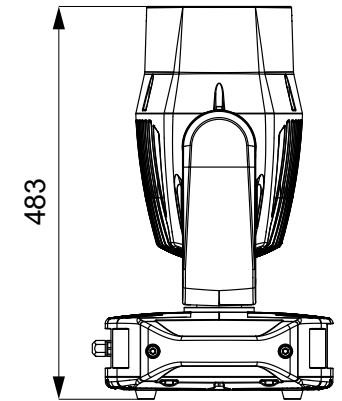
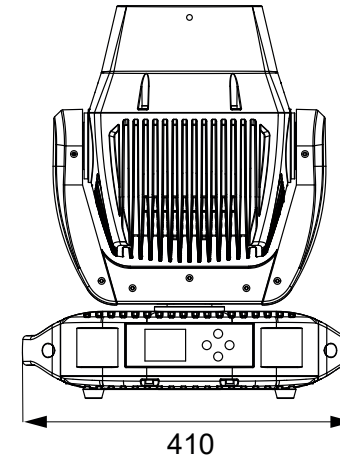
NEO 200 GOBO



view



1 overall dimensions



size

NEO 200 GOBO

OUTDOOR IP65 moving head for concerts/events, amusement park, theme park and the landmark building, hotel etc.
 Solid fat, sharp and clean beam at 1.7°
 Super-fast and precise X/Y movement, fast gobo-color effect and clean projection, plus the dual-prism overlay effect.

Housing:	Pressure die-cast aluminum alloy with polyester powder paint.
Beam angle:	1.7°
Vertical Rotation:	270°
Horizontal Rotation:	540°
Rotation gobo wheel:	9 dichroic filters
Rotation color wheel:	7 colors + CTO
	Flow effect, shake effect, bi-direction effect (clockwise and anticlockwise) for gobo wheel and for color wheel, also rainbow flow effect for color wheel
Housing color:	Black, White
Dimming:	от 0% до 100%
Input voltage, V:	220V
Control system:	DMX-512+RDM
Ingress Protection Rating, IP:	IP65
Operating temperature:	-40°C ~ +50°C
Cooling system:	Natural Convection
Guaranteed lifetime, hours:	>50 000h

Article	Name	Power, W	Dimensions, mm	Input voltage, V	Beam angle, degrees	Color temperature, K	Weight, kg
369180010	NEO 200 GOBO 180W DMX-512 RDM 220V IP65	180W	280x483x410	220V	1.7°	7 colors	22kg

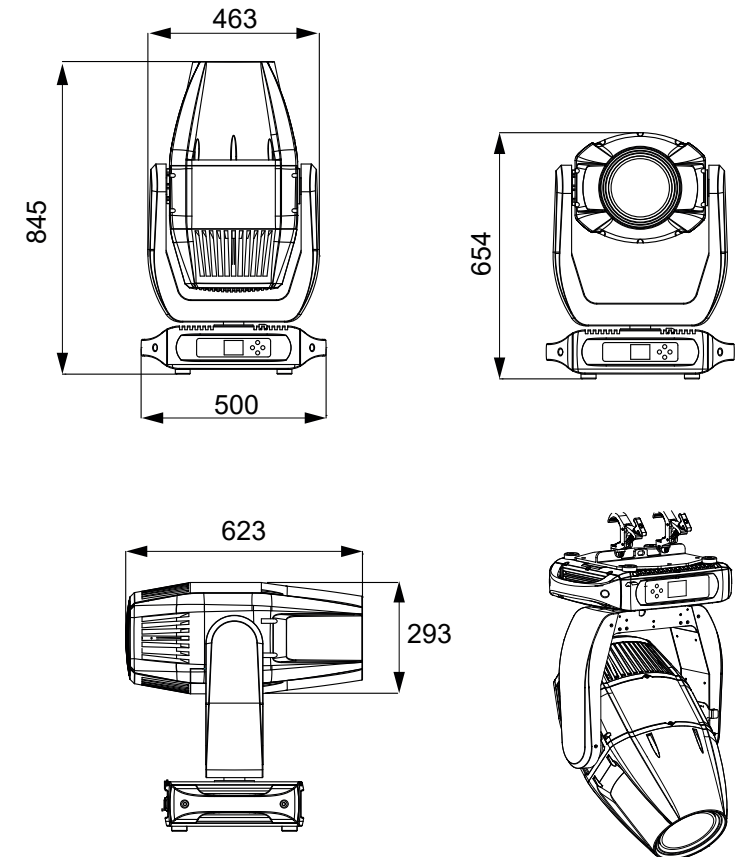
NEO 1500 GOBO



view



1 overall dimensions



size

NEO 1500 GOBO

OUTDOOR IP65 high power LED moving spot + profile with super efficient optic system, 17 times zoom 7-50°.

Max output 71000lx for 5m distance. Framing-cutting system can cut out any polygon, and with zoom, focus, prism, color wheel, CMY, rotation gobo wheel, iris, frost can supply high-quality beam colors and gobos. Animation wheel can create dynamic water and dynamic fire effect.

Designed for the outdoor permanent installation: theme park, big scale performance show, landmark building etc.

Housing:	Pressure die-cast aluminum alloy with polyester powder paint.
Beam angle:	7°-50°
Vertical Rotation:	270°
Horizontal Rotation:	540°
Framing system:	8 filters
Static gobo wheel:	8 dichroic filters
Rotation gobo wheel:	7 dichroic filters
Rotation color wheel:	6 colors + CMY + CTO
	Flow effect, shake effect, bi-direction effect (clockwise and anticlockwise) for gobo wheel and for color wheel, also rainbow flow effect for color wheel
Animation wheel:	bi-direction effect, speed control
Housing color:	Black, White
Dimming:	от 0% до 100%
Input voltage, V:	220V
Control system:	DMX-512+RDM
Ingress Protection Rating, IP:	IP65
Operating temperature:	-40°C ~ +50°C
Cooling system:	Natural Convection
Guaranteed lifetime, hours:	>50 000h

Article	Name	Power, W	Dimensions, mm	Input voltage, V	Beam angle, degrees	Color temperature, K	Weight, kg
369130010	NEO 1500 GOBO 1300W DMX-512 RDM 220V IP66	1300W	463x845x623	220V	7°-50°	6 colors +CMY+CTO	50kg

NEO GOBO

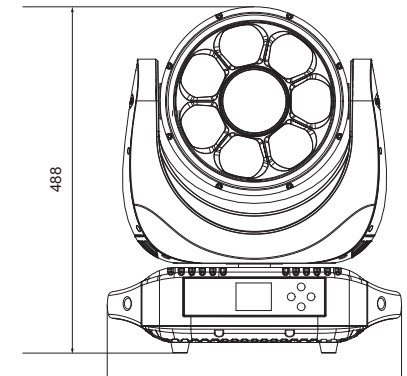
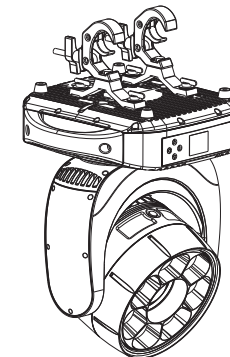
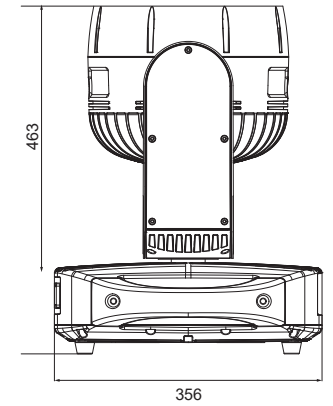
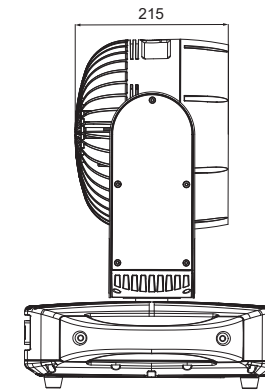


view



size

1 overall dimensions



1

NEO GOBO

Innovative OUTDOOR IP65 washing moving head, combined with 7x40W and 60W RGBW LED, one LED ring effect and great optics design. Built in HSIC system, mixing color much easier and faster, creating a brilliant color effect, extremely perfect dynamic effect by individual pixel control, wide zoom range from 5°-35°, compact size with a very light weight 23KG. Ideal products for outdoor concerts/events, commercial complex, theme park, amusement park and landmark building.

Housing:	Pressure die-cast aluminum alloy with polyester powder paint.
Beam angle (small prism):	5°-35°
Beam angle (big prism):	35°
Prism rotation:	bi-direction (clockwise and anticlockwise)
Vertical Rotation:	270°
Horizontal Rotation:	540°
	You can control the speed of rotation.
Housing color:	Black, White
Color temperature, K:	RGBW + kaleidoscope effect
Dimming:	от 0% до 100%
Input voltage, V:	220V
Control system:	DMX-512+RDM
Ingress Protection Rating, IP:	IP65
Operating temperature:	-40°C ~ +50°C
Cooling system:	Natural Convection
Guaranteed lifetime, hours:	>50 000h

Article	Name	Power, W	Dimensions, mm	Input voltage, V	Beam angle, degrees	Color temperature, K	Weight, kg
369380080	NEO GOBO 380W DMX RDM RGBW 220V IP65	380W	215x488x416	220V	5°-35°	RGBW+ kaleidoscope effect	23kg

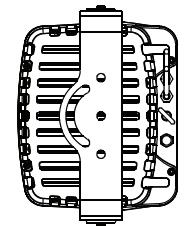
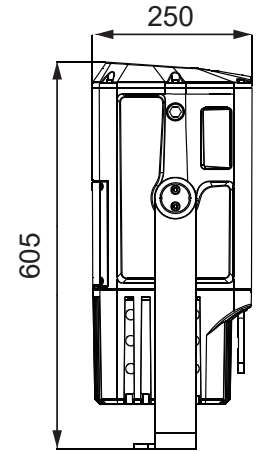
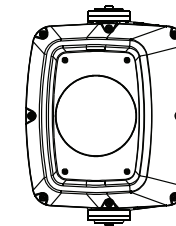
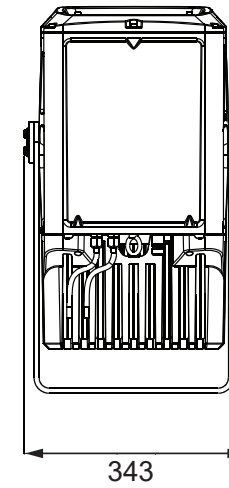
FLORIS GOBO



view



1 overall dimensions



size

FLORIS GOBO

Innovative OUTDOOR IP65 waterproof projection lighting with compact structure and attractive appearance.

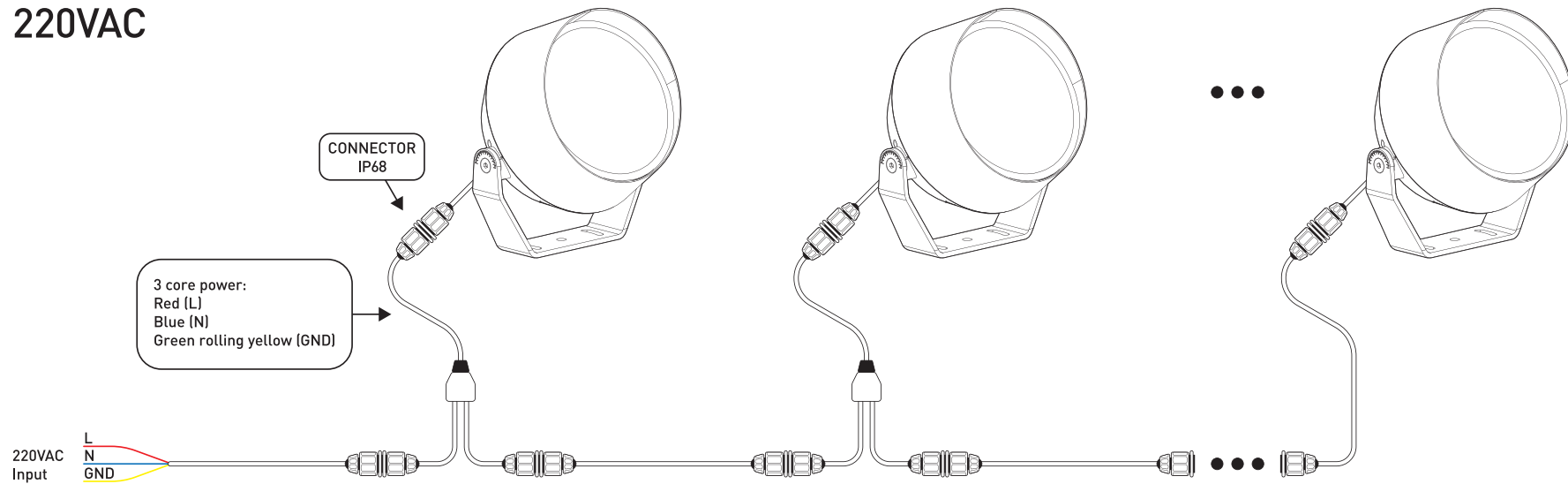
Pure white color temperature, intelligent zoom electronic system, 8-40 ° can be linearly adjusted. Built-in rotatable Gobo wheel and dynamic effects wheel, prism and other functions, FLORIS GOBO can achieve a wealth of dynamic pattern simulation effect. Equipped with an excellent optical system, the light spot has uniform clear-cut margin, with the vivid image. Best for theme parks, playgrounds, commercial complex, commercial plazas, architectural buildings, outdoor performances and other large and medium-sized venues.

Housing:	Pressure die-cast aluminum alloy with polyester powder paint.
Beam angle:	8°-40° (electronic zoom)
Rotation gobo wheel:	7 dichroic filters
Rotation color wheel:	7 colors + CMY
Animation wheel:	Flow effect, shake effect, bi-direction effect (clockwise and anticlockwise) for gobo wheel and for color wheel, also rainbow flow effect for color wheel
Color temperature, K:	8000K
Housing color:	Black, White
Dimming:	от 0% до 100%
Input voltage, V:	220V
Control system:	DMX-512+RDM
Ingress Protection Rating, IP:	IP65
Operating temperature:	-40°C ~ +50°C
Cooling system:	Natural Convection
Guaranteed lifetime, hours:	>50 000h

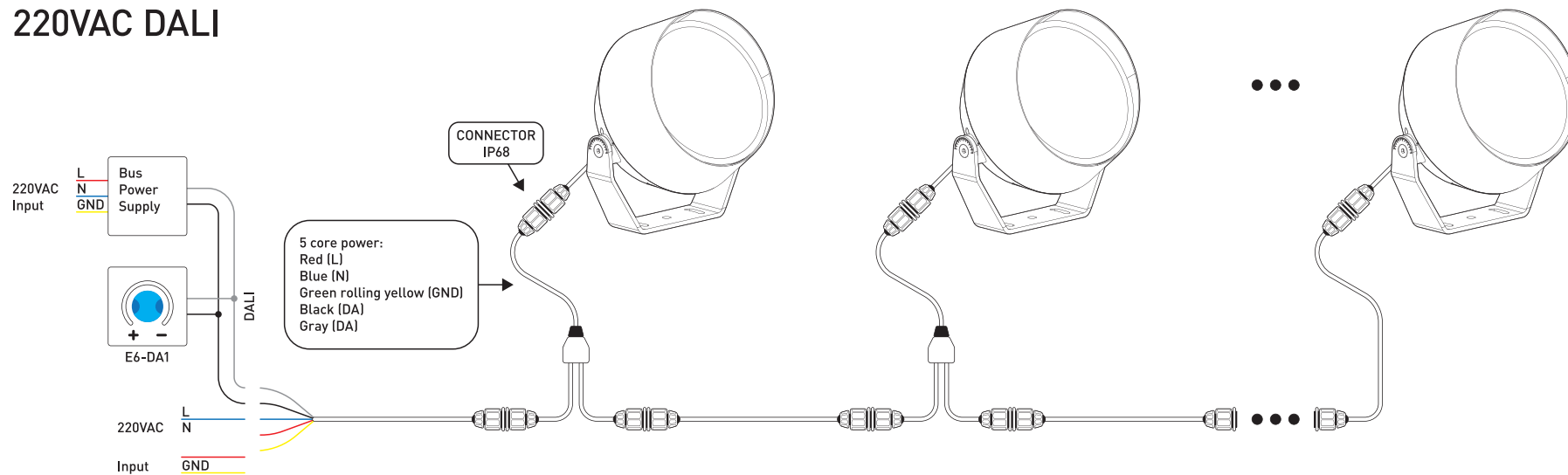
Article	Name	Power, W	Dimensions, mm	Input voltage, V	Beam angle, degrees	Color temperature, K	Weight, kg
369350001	FLORIS GOBO 350W DMX-512 220V IP66	350W	250x605x343	220V	8°-40°	7 colors or CMY	23kg

CONNECTION DIAGRAM 220V

220VAC

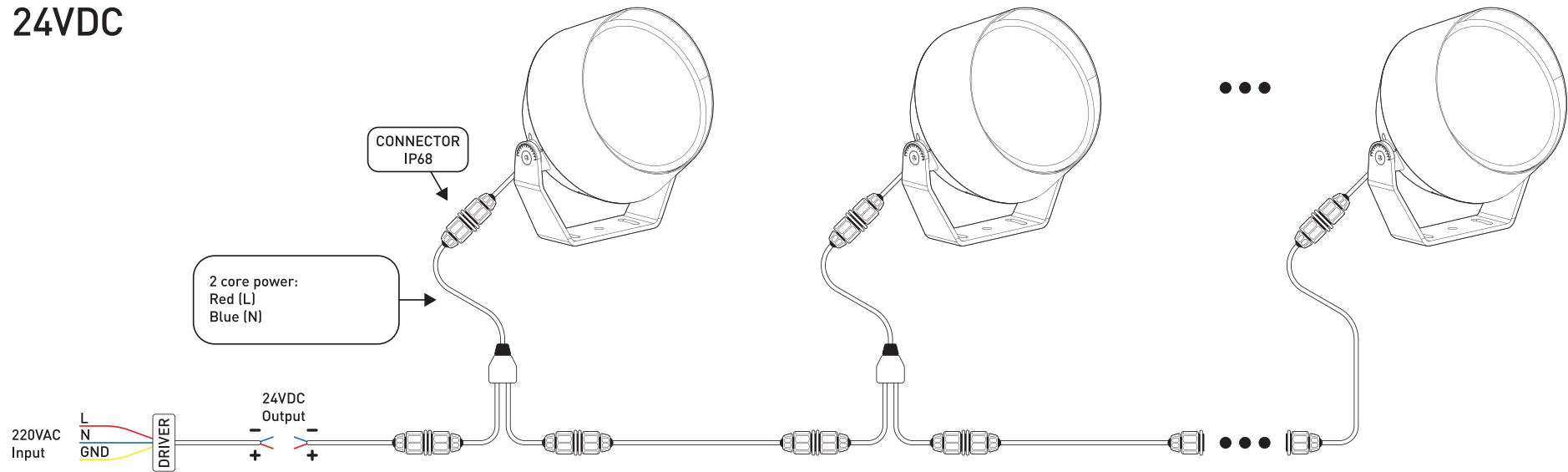


220VAC DALI

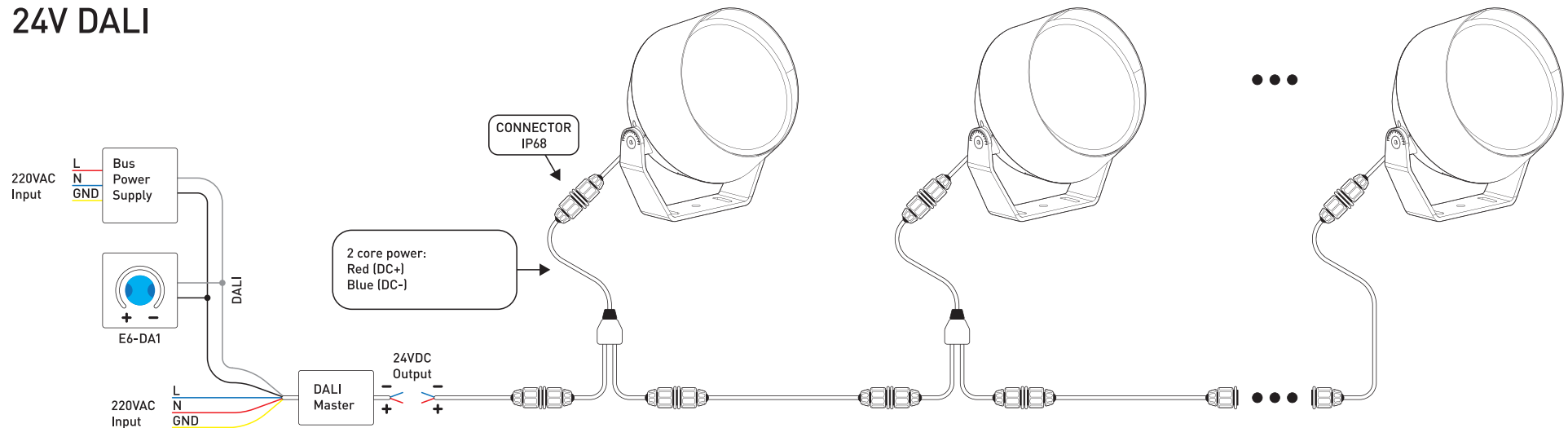


CONNECTION DIAGRAM 24V

24VDC

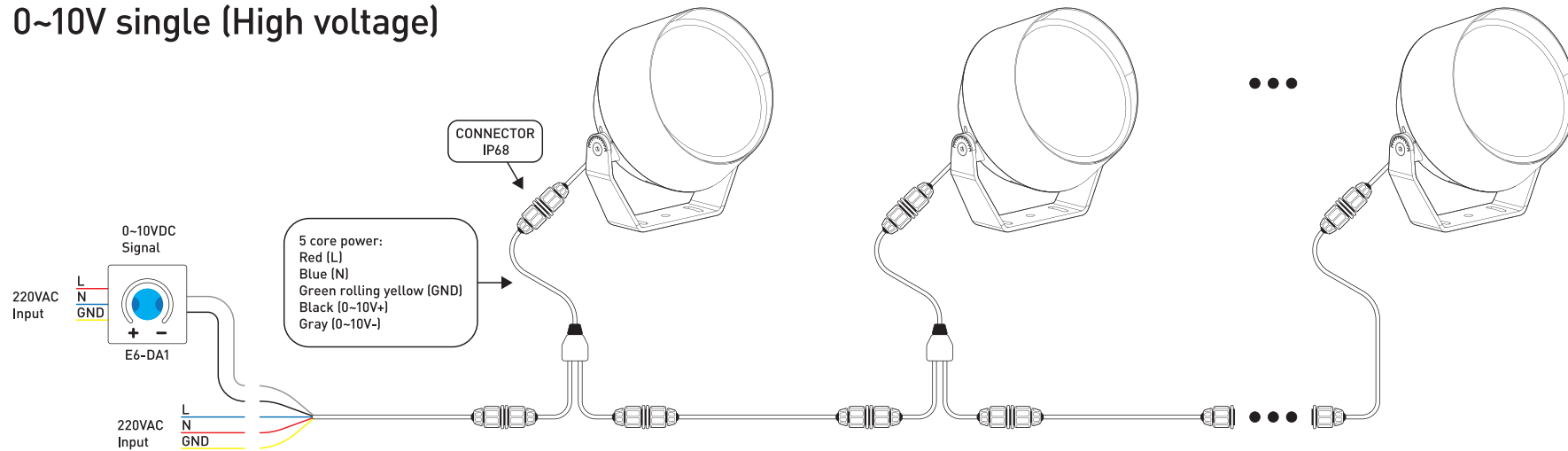


24V DALI

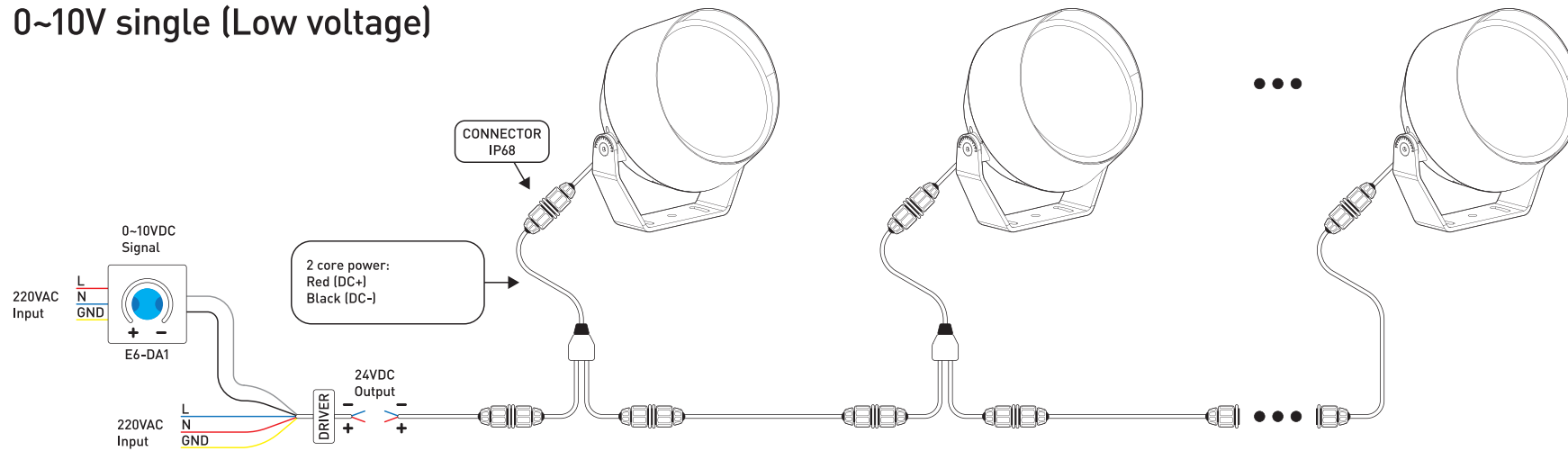


CONNECTION DIAGRAM 0-10V

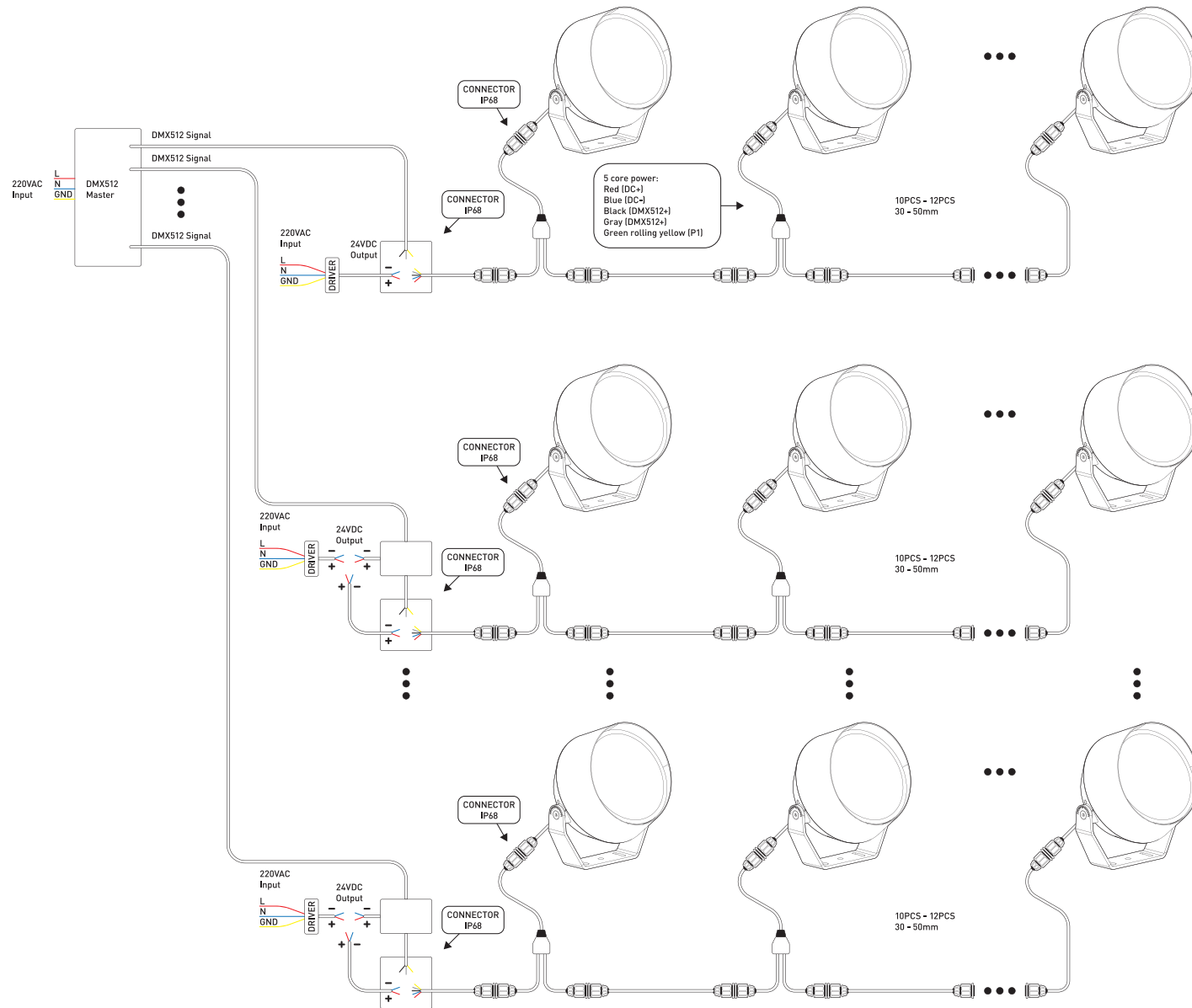
0~10V single (High voltage)



0~10V single (Low voltage)



CONNECTION DIAGRAM DMX-512



NOTATION KEYS



Sign of conformity with European standards of electromagnetic compatibility



RGB (multicolor) luminaire



Hardware zoom



Protective earth sign (electric shock protection class I)



RGBW (red, green, blue, white) colors



Color temperature control



Luminaires suitable for direct mounting on normally flammable surfaces



DMX-512 protocol control support



LED optical system



Protection class IP65



TRIAC dimming control support



Black



Protection class IP66



1-10V dimming control support



Grey



Protection class IP67



DALI protocol control support



White



Protection class IP68



Minimum distance to the illuminated object



Metallic



LED optical system



PWM control support



RAL shade



Beam angle (symmetric lens)



RDM control support. Protocol enhancement to USITT DMX512 that allows bi-directional communication between a lighting or system controller



Beam angle (asymmetric lens)



Degrees of protection against external mechanical influences



<https://img-lighting.com/>





The latest information about new products, solutions,
and the current version of the catalog can be found on our website
<https://img-lighting.com>