



■ **neway**
405.075L120 nhg
pagg. 90-91



■ **neway**
405.045 all
pagg. 92-93
project by JCC Lighting - UK



■ neway
405K125L60 all
pagg. 90-91



■ neway
405K075F18 nhg
pagg. 92-93



■ neway
405.045F18 nhg
pagg. 92-93
project by Ansell Lighting - UK



■ neway
405K125L60 all
pagg. 90-91



■ **neway**
405.100F18 nhg
pagg. 92-93
project by Ansell lighting - UK

art.
405

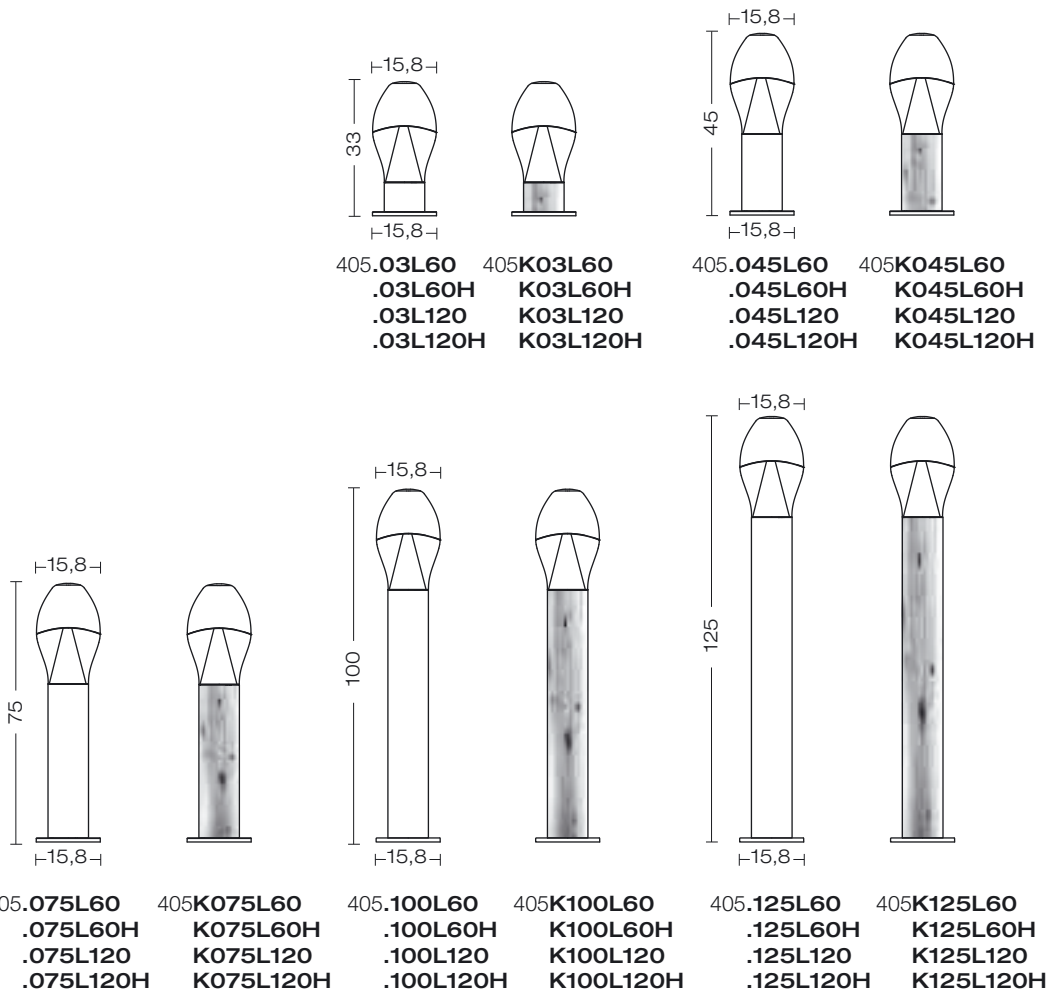
designers **Innocenzo Rifino & Lorenzo Ruggieri**

OHIM:
patent No.
000659917-0003

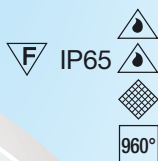


corpo **alluminio pressofuso e estruso**
body in die casting and extruded aluminium
corps *en aluminium moulé sous pression et extrudé*
cuerpo *aluminio inyectado y extrusionado*
Körper *aus Aluminium-Druckguss*

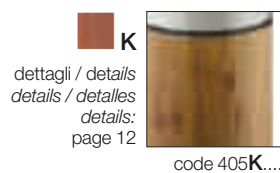
diffusore **policarbonato trasparente**
diffuser transparent polycarbonate
diffuser polycarbonate transparent
difusor policarbonato transparente
Diffuser Polykarbonat klar



For technical details visit
www.landa.it



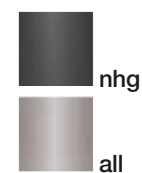
FINISHING



Wood that isn't wood

Processo produttivo non inquinante
Production process is not polluting
C'est un procédé productif non polluant
Proceso productivo no contaminante
Chemierückstand und Abwasser

COLOURS



Included:



ELECTRIFICATION
LED
dettagli /
details / details
détalles / details:
pages 4-5

L60 LED 5 W 5000°K 430LM Ra65	L60H LED 5 W 2900°K 330LM Ra85	L120 LED 10 W 5000°K 910LM Ra65	L120H LED 10 W 2900°K 680LM Ra85
--	---	--	---



LED



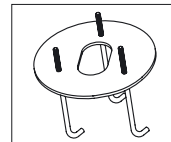
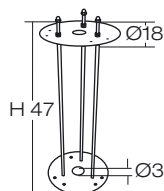
Accessories on request:



code **0404M003**
Loop in loop out IP68



Root Mounting Kit code **00A405**



code **00A405.01P**
Anchor Bolt



example code:

art.	finishing	size	electrification	colour
405	.	100	F18	all
COUNTRY example code:				
art.	finishing	size	electrification	colour
405	K	100	F18	nhg

art.
405

designers **Innocenzo Rifino & Lorenzo Ruggieri**

OHIM:
patent No.
000659917-0003



corpo **alluminio pressofuso e estruso**

body in die casting and extruded aluminium

corps en aluminium moulé sous pression et extrudé

cuerpo aluminio inyectado y extrusionado

Körper aus Aluminium-Druckguss

diffusore **policarbonato trasparente**

diffuser transparent

polycarbonate

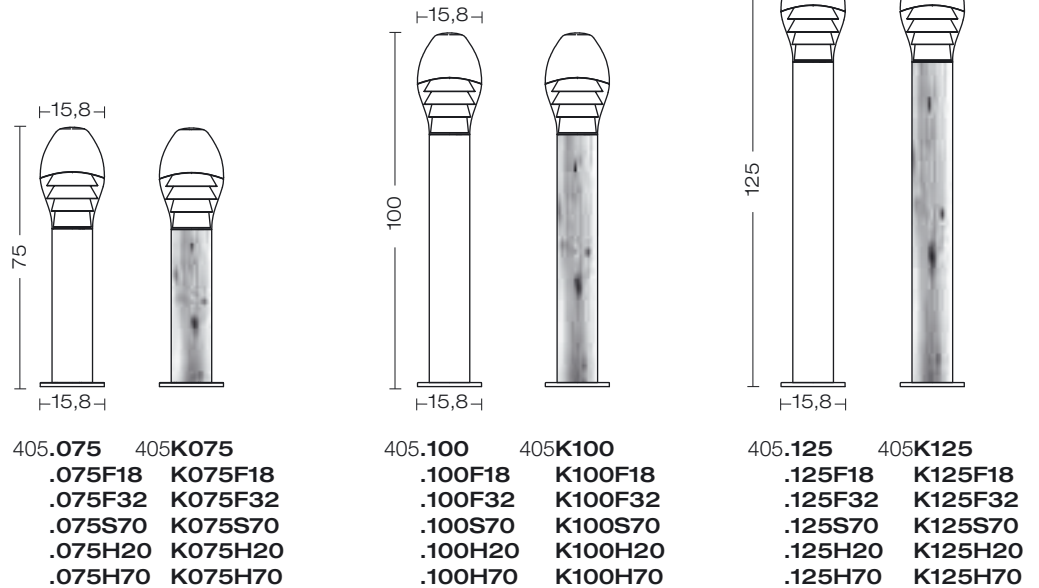
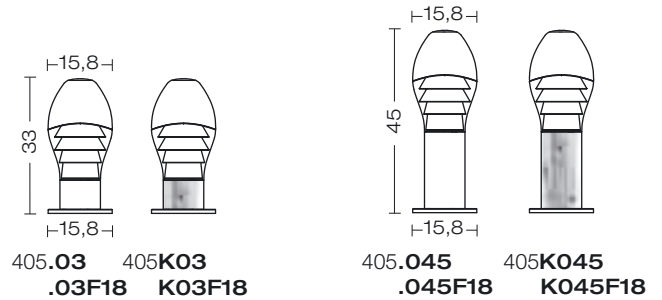
diffuser polycarbonate

transparent

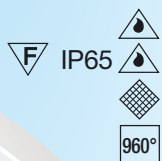
difusor policarbonato

transparente

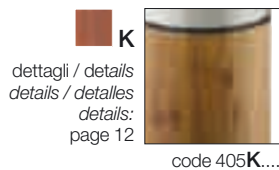
Diffuser Polykarbonat klar



For technical details visit www.landa.it



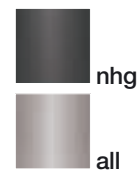
FINISHING



Wood that isn't wood

Processo produttivo non inquinante
Production process is not polluting
C'est un procédé productif non polluant
Proceso productivo no contaminante
Chemierückstand und Abwasser

COLOURS



Included:



ELECTRIFICATION

450.03 .045 .075 .100 .125	450K03 K045 K075 K100 K125	1 x MAX 75 W	1 x 23 W	1 x 16 W	E27	F18	F32	H20	S70	H70
					1 x 18 W Gx24 q-2	1 x 32 W Gx24 q-3	1 x 20 W PGJ5	1 x 70 W E27 sodium	1 x 70 W G12 metal halide	



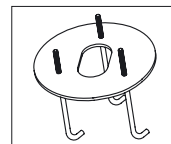
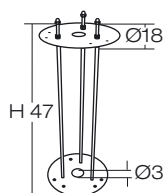
Accessories on request:



code **0404M003**
Loop in loop out IP68



Root Mounting Kit code **00A405**



code **00A405.01P**
Anchor Bolt